

LHEA SERIES LINEAR BAY LIGHT

Client:
 Project:
 Type:
 Quantity:

CONSTRUCTION

Full body steel housing constructed for shipment and job site durability.
 Channel includes top and side knockouts for simple and accessible wiring.

OPTICS

>95% efficiency optical grade polycarbonate prismatic lens available for general distribution or aisle distribution. Optional wireguard.

ELECTRICAL

80+ CRI LED. -40°C up to 55°C (-40°F up to 131°F) maximum operating temperature.
 L₇₀ >100,000 hours.
 50/60Hz, <20% THD, >.9 Power Factor.
 Dim-to-Off Driver operates at 120-277V input, 0-10V dimmable, with integral 12V AUX
 3.5mm sensor receptacle for SENSOR-ANT-6-4T.
 Built-in thermal protector. Optional 347/480V input.
 Optional dimming sensor for occupancy and ambient light level detection.
 Optional emergency battery for 120-277V / 480V application.



270W

SENSORS (OPTIONAL)

- SENSOR-819-O1 End mount on/off motion sensor lowbay lens.
- SENSOR-819-O2 End mount on/off motion sensor highbay lens.
- SENSOR-819-D1 End mount programmable motion and photocell sensor lowbay lens.
- SENSOR-819-D2 End mount programmable motion and photocell sensor highbay lens.
- SENSOR-BLE-819 End mount ALS CONTROL bluetooth on/off motion sensor lowbay lens.
- SENSOR-ANT-6-4T Plug-N-Play PIR on/off/dimming/photosensing.
- SENSOR-BLE-6-4T Integral PIR ALS Control bluetooth/on/off/dimming/photosensing.
- CONTROL-LVFA AVI-ON Bluetooth Mesh Controller.
- SENSOR-DC-PIR AVI-ON PIR and Daylighting Sensor

MOUNTING

Adjustable aircraft cable hanger as standard mounting.

STANDARD FINISH

All metal parts are post painted after fabrication with polyester powder coat paint with 90% reflectance.

CERTIFICATION

Meets Buy America Act requirements.
 All luminaires are built to UL1598 standards and bear appropriate cULus labels.
 For Emergency application, equipment with UL924 certified battery packs.
 DLC[®] Premium (DesignLights Consortium Qualified).

WARRANTY

5 year warranty, see Limited Warranty for additional information.

SHIPPING DATA

Product	Measurement	Weight
LHEA-135	17"L x 11"W x 2"H	5 lb
LHEA-200	23"L x 11"W x 2"H	6 lb
LHEA-270	32"L x 11"W x 2"H	8 lb
LHEA-400	45"L x 11"W x 2"H	11 lb



LHEA SERIES LINEAR BAY LIGHT

ORDER INFORMATION **EXAMPLE : LHEA 130 MC FL WH UD**

Fixture	Series	Power & LM	CCT	Distribution	Finish	Input
	LHEA		MC		WH	

A SERIES

LHEA Linear Bay Light

B POWER & LM

CODE	POWER	LM	LPW
135	Field Selectable 100/115/135W	15,000 ~ 20,250	150
200	Field Selectable 155/185/200W	23,250 ~ 30,000	150
270	Field Selectable 200/230/270W	30,000 ~ 40,500	150
400	Field Selectable 270/340/400W	40,500 ~ 60,000	150

C CCT

MC Field Selectable 4000/5000K

D DISTRIBUTION

FL Frosted General Distribution Lens **AL** Frosted Aisle Distribution Lens

E FINISH

WH White

F INPUT

UD Dim-to-Off 120-277V Input 0-10V Dimming **HD** Dim-to-Off 277-480V Input 0-10V Dimming

LHEA SERIES LINEAR BAY LIGHT

ORDER INFORMATION (CONTINUED)

Accessories
 Options

G ACCESSORIES/OPTIONS

blank	Adjustable aircraft cable hanging kit (standard)
AIA	Assembled in America, compliant with BAA (COTS)
PMK	Pendant Mount Kit
SMK	Surface Mount Kit
WIREGUARD-LHEA-A	Wireguard for LHEA-135 (1:1)
WIREGUARD-LHEA-B	Wireguard for LHEA-200 (1:1)
WIREGUARD-LHEA-C	Wireguard for LHEA-270 (1:1)
WIREGUARD-LHEA-D	Wireguard for LHEA-400 (1:1)
EMB-H18170**	External emergency battery 18W
EMB-H40170**	External emergency battery 40W
EMB-H40500**	External emergency battery 40W
REMOTE-RC100	Handheld Remote Commissioning Tool for SENSOR-819-D1/D2 Only, ANT Series
SENSOR-BLE-6-4T*	“Plug-N-Play” Integral Bluetooth Daylight Harvesting Sensor (ALS Control Mobile App)
SENSOR-ANT-6-4T*	Integral PIR on/off/dimming/photosensing
SENSOR-819-O1*	End mount on/off motion sensor lowbay lens
SENSOR-819-O2*	End mount on/off motion sensor highbay lens
SENSOR-819-D1*	End mount on/off/dimming and photocell sensor lowbay lens
SENSOR-819-D2*	End mount on/off/dimming and photocell sensor highbay lens
SENSOR-BLE-819-L1*	End Mount PIR Bluetooth Daylight Harvesting Sensor (ALS Control Mobile App) / L1: up to 20FT
CONTROL-LVFA*	AVI-ON Bluetooth Mesh Control System
SENSOR-DC-PIR*	AVI-ON PIR Bluetooth Sensor on/off/dimming/photosensing.
-CORD	18-3 300V 6 Foot Cord
-PLUG	18-3 300V 6 Foot and 3 Prong Plug

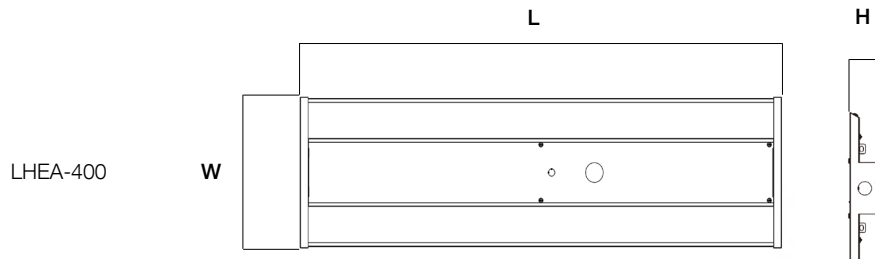
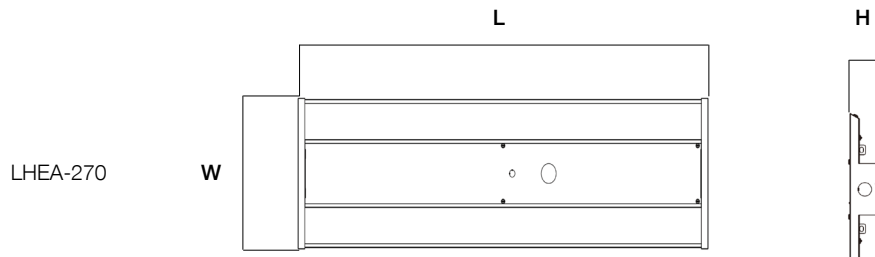
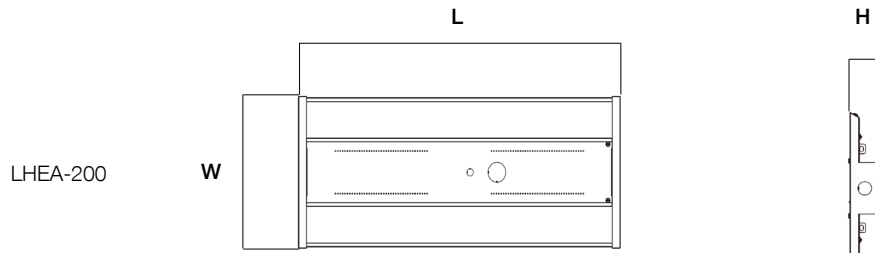
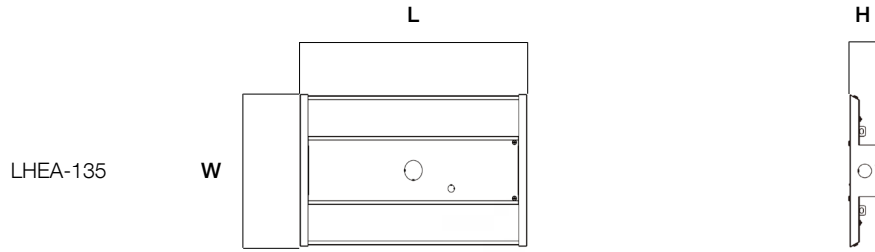
*see page 7 for sensor spec

**see page 8 for emb spec

LHEA SERIES LINEAR BAY LIGHT

DIMENSIONS

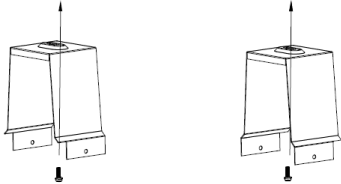
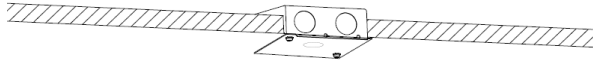
Model	L	W	H
LHEA-135	16.5" (420mm)	10.2" (260mm)	1.8" (45mm)
LHEA-200	22.8" (580mm)	10.2" (260mm)	1.8" (45mm)
LHEA-270	31.1" (790mm)	10.2" (260mm)	1.8" (45mm)
LHEA-400	44.1" (1120mm)	10.2" (260mm)	1.8" (45mm)



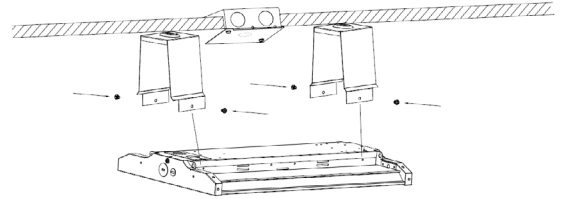
LHEA SERIES LINEAR BAY LIGHT

MOUNTING

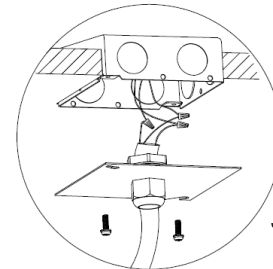
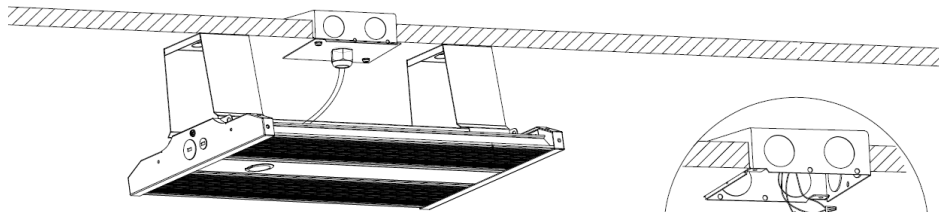
SMK - SURFACE MOUNT



Install SMK (Pair) to ceiling with proper screw & anchor



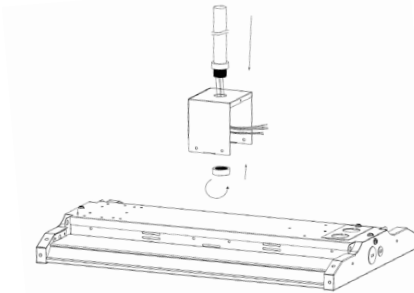
Secure LHEA onto SMK by tighten screws provided



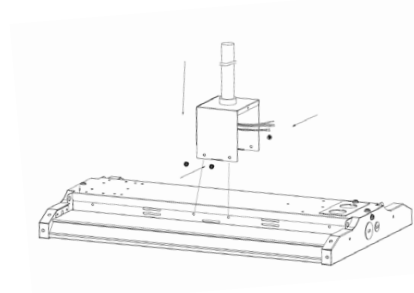
J-box and Flex Conduit
 Provided By Other

Feed wires through flex conduit, all connection to be made inside ceiling J-box

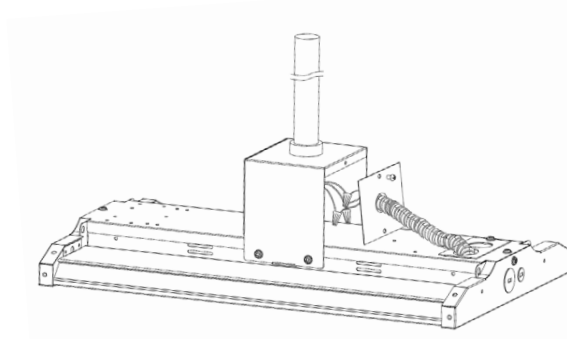
PMK - PENDANT MOUNT



Securely attach PMK to conduit



Secure LHEA onto PMK by tighten screws provided



Flex Conduit
 Provided By Other

Feed wires through flex conduit, all connection to be made inside PMK J-box

LHEA SERIES LINEAR BAY LIGHT

PERFORMANCE DATA

SYSTEM WATTS	VOLTAGE	4000K / 5000K with FL Lens		4000K / 5000K with AL Lens		QTY ON PALLET
		LUMENS	LPW	LUMENS	LPW	
135W Set @ 100W	120-277V / 480V	14700	147	15400	154	240
135W Set @ 115W	120-277V / 480V	16905	147	17710	154	240
135W Set @ 135W	120-277V / 480V	19845	147	20790	154	240
200W Set @ 155W	120-277V / 480V	23870	154	22630	146	200
200W Set @ 185W	120-277V / 480V	28490	154	27010	146	200
200W Set @ 200W	120-277V / 480V	30800	154	29200	146	200
270W Set @ 200W	120-277V / 480V	29600	148	30400	152	160
270W Set @ 230W	120-277V / 480V	34040	148	34960	152	160
270W Set @ 270W	120-277V / 480V	39960	148	41040	152	160
400W Set @ 270W	120-277V / 480V	39960	148	41580	154	120
400W Set @ 340W	120-277V / 480V	50320	148	52360	154	120
400W Set @ 400W	120-277V / 480V	59200	148	61600	154	120

DLC CODE (PENDING)

Part Number	DLC Part Number	DLC Class
LHEA-135MCFL-WHUD / HD	PENDING	Premium
LHEA-135MCAL-WHUD / HD	PENDING	Premium
LHEA-200MCFL-WHUD / HD	PENDING	Premium
LHEA-200MCAL-WHUD / HD	PENDING	Premium
LHEA-270MCFL-WHUD / HD	S-0RX324 / S-614FFH	Premium
LHEA-270MCAL-WHUD / HD	PENDING	Premium
LHEA-400MCFL-WHUD / HD	PENDING	Premium
LHEA-400MCAL-WHUD / HD	PENDING	Premium

LHEA SERIES LINEAR BAY LIGHT

SENSOR SPEC

Model	Type	Mounting	Coverage	Input	Function	Programmable
SENSOR-ANT-6-4T	PIR	up to 40FT	30FT radius	12V DC	On/Off/Dimming	REMOTE-RC100
SENSOR-BLE-6-4T (see page 11 for detail)	PIR	up to 40FT	30FT radius	12V DC	Bluetooth Mesh On/Off/Dimming Daylight Harvesting	ALS Control Bluetooth Mobile App
SENSOR-819-O1 SENSOR-819-O2	PIR	20FT 40FT	30FT radius 30FT radius	Universal	On/Off	-
SENSOR-819-D1 SENSOR-819-D2	PIR	20FT 40FT	30FT radius 30FT radius	Universal	On/Off/Dimming	REMOTE-RC100
SENSOR-BLE-819 (see page 12 for detail)	PIR	L1 - 20FT	30FT radius	Universal	Bluetooth Mesh On/Off/Dimming Daylight Harvesting	ALS Control Bluetooth Mobile App
CONTROL-LVFA (see page 9 for detail)	Fixture Controller	-	-	12V DC	Bluetooth Mesh On/Off/Dimming Scheduling	AVI-ON Bluetooth Mobile App
SENSOR-DC-PIR (see page 10 for detail)	PIR	8FT ~ 40FT	45FT radius	AVI-ON Sensor Interface	Bluetooth Mesh Daylight Harvesting Motion	AVI-ON Bluetooth Mobile App



SENSOR-ANT-6-4T
 SENSOR-BLE-6-4T



SENSOR-819-XX
 SENSOR-BLE-819



CONTROL-LVFA

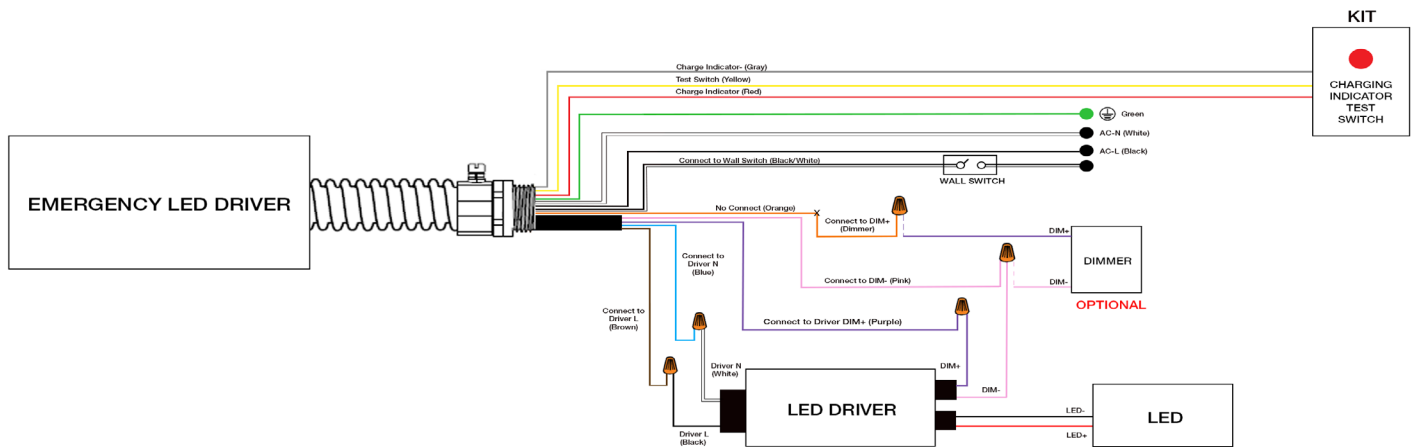


SENSOR-DC-PIR

LHEA SERIES LINEAR BAY LIGHT

EMB SPEC

Model	Battery Capacity	Input	Output	Output Power	Operating Temp	Installation
EMB-H18170	90mins	100-347VAC	170VDC	18W	0°C ~ 50°C 32°F ~ 122°F	Factory or Field Install
EMB-H40170	90mins	100-347VAC	170VDC	40W	0°C ~ 50°C 32°F ~ 122°F	Factory or Field Install
EMB-H40500	90mins	277-480VAC	300-500VDC	40W	0°C ~ 50°C 32°F ~ 122°F	Factory or Field Install



LHEA SERIES LINEAR BAY LIGHT

CONTROL-LVFA SPEC

Status LEDs & Config Button

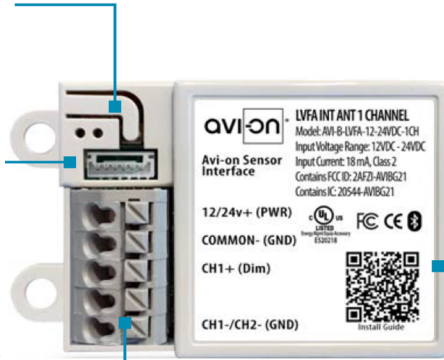
Quick and easy validation of wiring and network

Direct Connect™ Sensor Port

Simple and cost-effective addition to Avi-on sensors

Terminal Blocks & Mounting Tabs

Faster, easier and lower cost installation eliminating connectors



Internal Antenna

Improved performance and eliminates risk of accidentally cutting a hanging wire

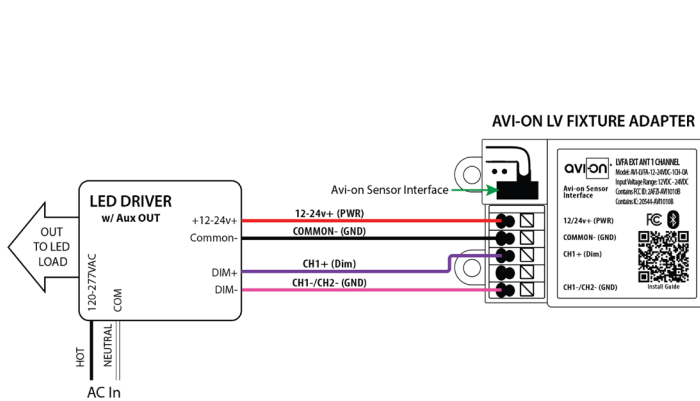
SPECIFICATIONS

INPUT VOLTAGE: 12-24VDC
CURRENT: 15mA without a Sensor
 19mA with a DC PIR Sensor
 48mA with a DC Microwave Sensor
0-10V DIMMING: 12-24VDC
SIZE: 2.30in x 1.43in x 0.75in
 (58.2mm x 36.4mm x 19mm)
MOUNTING: Removable mounting tabs
WEIGHT: 0.45 oz (16g)
OPERATING TEMP: -22°F to +158°F (-30°C to + 70°C)

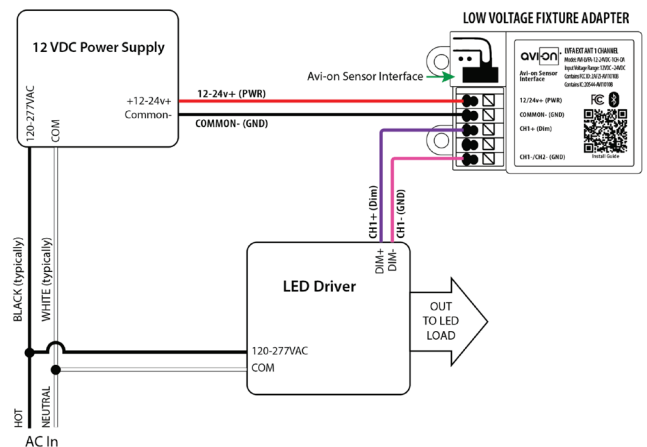
RADIO FREQUENCY: 2.4GHz
WIRELESS STANDARD: BLE 4.2 with Mesh
POINT TO POINT RANGE*: 80ft with obstructions
 350ft unobstructed
SECURITY: AES 128-bit encryption for device to device communication
 AES 256-bit encryption for device to cloud communication
WARRANTY: 5 years; 10 years optional
REGULATORY: FCC: 2AFZI-AVI1010 B
 IC: 20544-AVI1010 B
 BQB: D031801, DID: 86303
 UL 916, 2043 (Plenum Rated)

*When communicating through the mesh, range is essentially unlimited (5000ft+)

WIRING DIAGRAM



Fixture adapter powered by LED driver auxiliary output



Fixture adapter connected to LED driver and using power supply

LHEA SERIES LINEAR BAY LIGHT

SENSOR-DC-PIR SPEC

Bi Level PIR Motion & Daylighting Sensor
 Fully Adjustable parameters

Easy Connect to Avi-on Fixture
 & Zone Controllers
 3ft and 10ft cable options are easy
 to install inside or outside fixture



Flexible Mounting Options

- In-fixture
- Ceiling Mount
- Side Mount
- Junction Mount
- IP 67 for Watertight Applications
- UL Indoor Rated

High Resolution Lens & Sensor

A Single product suited for 8' to 40' mounting heights, indoor and outdoor, warehouse and office

SPECIFICATIONS

INPUT VOLTAGE: AVI-ON Direct Connect Low Voltage DC Sensor Port
SIZE: 2.30in x 1.43in x 0.75in
 (58.2mm x 36.4mm x 19mm)
MOUNTING: 8FT - 40 FT
PIR Head (Ceiling or Fixture): 1/2in (18mm)
 Threaded insert size:
 0.80in (20.5mm) x 0.4in (10mm) tall.
Elbow: Connector thread size:
 0.80in (20.5mm) x 0.79in (20mm).
WEIGHT: 1.4oz (40g)

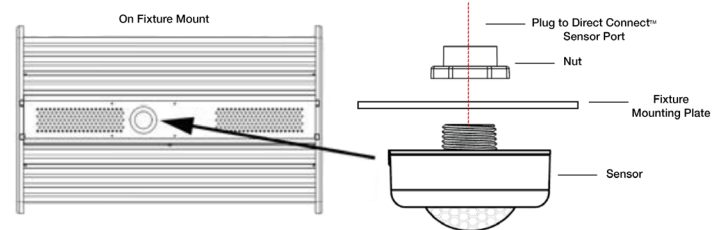
OPERATING TEMP: -22°F to +158°F (-30°C to +70°C)
STORAGE TEMP: -40°F to +185°F (-40°C to +85°C)
OPERATING MODES: Occupancy, Vacancy, UV-C safety, B-Level, dim-to-specified level (never off), schedule driven, control zones
STATUS LED: Motion Detection
DAYLIGHT HARVESTING: Open or closed loop
DAYLIGHTING RANGE: 360° X 90°
WARRANTY: 5 years; 10 years optional
REGULATORY: UL 916
 IP 67 - Sensor Head
 IP 66 - With Elbow Head

*Note: Operating controller at or above these levels may result in damage to components/product

WIRING DIAGRAM



MOUNTING DIAGRAM



FEATURE

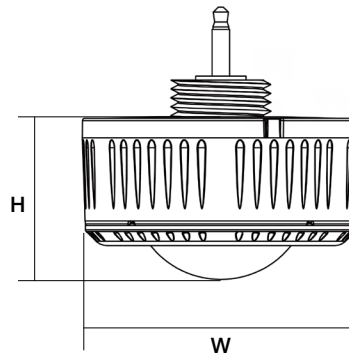
- **Installation:** Plug-N-Play via AUX socket on attached fixture
- **Commissioning:** Wirelessly through ALS Control Mobile App (iOS / Android)
- **Certification:** DLC 5.1 Networked Lighting Control System
- **Control:** Hold time, High-Low setting, continuous Bi-level dimming, Code-compliant manual-on or auto-off capability
- **Sensor:** Motion (Occupancy/Vacancy/Manual) and Daylight Harvesting
- **Room and Zone Control:** Zoning and Grouping control, Scheduling



SPECIFICATIONS

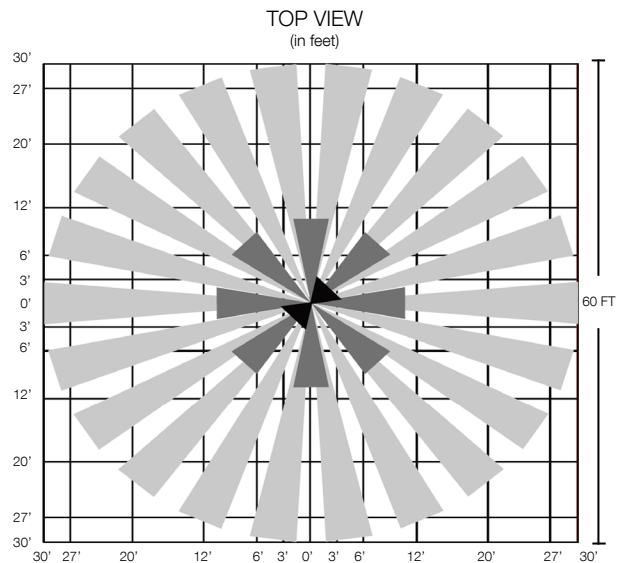
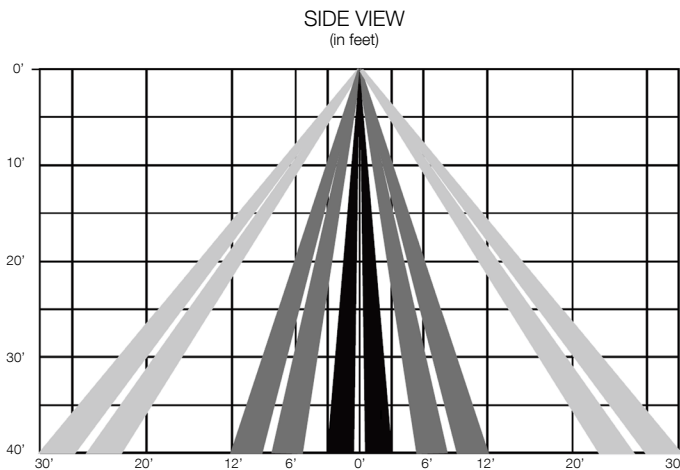
SENSOR TYPE:	Passive Infrared Sensor (PIR)
WIRELESS STANDARDS:	5.0 Bluetooth Mesh
INPUT VOLTAGE:	12-24VDC, >50mA
CONTROL OUTPUT:	0-10V
OPERATING TEMP:	-4°F ~ +140°F (-20°C ~ +60°C)
COMMISSIONING RANGE:	50FT
BLUETOOTH RANGE:	164FT
DETECTION ANGLE:	360°
MOUNTING HEIGHT:	Up to 40FT
WARRANTY:	5 years
IP RATING:	IP65

DIMENSIONS



H	W
1.03" (26.2mm)	2.17" (55mm)

COVERAGE PATTERNS



FEATURE

- **Installation:** Factory or Field Install End Mount to Fixture
- **Commissioning:** Wirelessly through ALS Control Mobile App (iOS / Android)
- **Certification:** DLC 5.1 Networked Lighting Control System
- **Control:** Hold time, High-Low setting, continuous Bi-level dimming, Code-compliant manual-on or auto-off capability
- **Sensor:** Motion (Occupancy/Vacancy/Manual) and Daylight Harvesting
- **Room and Zone Control:** Zoning and Grouping control, Scheduling

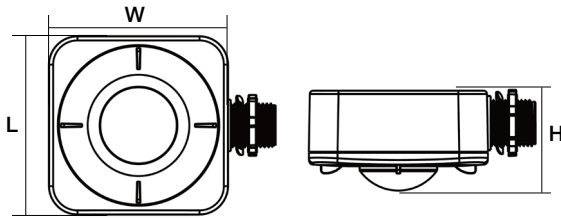


SPECIFICATIONS

SENSOR TYPE: Passive Infrared Sensor (PIR)
WIRELESS STANDARDS: Bluetooth SIG Mesh
INPUT VOLTAGE: 120/277VAC
CONTROL OUTPUT: 0-10V
OPERATING TEMP: -40°F ~ +167°F (-40°C ~ +75°C)

COMMISSIONING RANGE: 50FT
BLUETOOTH RANGE: Intergral antenna up to 100FT
DETECTION ANGLE: Vertical 90° x Horizontal 360°
MOUNTING HEIGHT: 8 - 40FT
WARRANTY: 5 years
IP RATING: IP20 Damp

DIMENSIONS



L	W	H
3.19" (81mm)	4.02" (102mm)	1.70" (43.3mm)

COVERAGE PATTERNS

