



EXM SERIES HAZARDOUS BAY LIGHT

Client:
Project:
Type:
Quantity:

CONSTRUCTION

Low copper aluminum alloy die-cast designed for oil and gas refineries, drilling rigs, petrochemical facilities, paint spray booths, and where flammable vapor, gas are present.

OPTICS

Clear shock & vibration resistant, 95% high transmittance polycarbonate lens. Distributions beam angle 60°, 90°, 120°.

ELECTRICAL

>70CRI LED, 50,000hr LED at L70.
Scalable lumen package available 15,000 ~ 31,500lm.
-40°C up to 65°C (-40°F up to 149°F) maximum operating temperature.
Driver operates at 120-277V input, 50/60Hz, <20% THD, 0.9 power factor.
0-10V / PWM / Rx 3-in-1 Dimming Driver.
Built-in standard 6kV surge protection.
Optional 347-480V input.
Optional 20kV (120-277V input) or 40kV (347-480V input)

MOUNTING

Yoke Mount as standard.
Safety Steel Wire Standard.
Optional ceiling mount (CM), pendant mount (PM), wall stanchion mount (ST), and round pole mount bracket (RP).

STANDARD FINISH

Corrosion resistant Gray finish.

CERTIFICATION

IP68 Wet location label standard.
Luminaires are built to UL844, UL1598A, CSA C22.2 No. 137, CSA C22.2 No. 250.0; standards and bear appropriate cULus labels.
Class I, Div 2, Group A, B, C & D.
Gas environment Zone 1 & Zone 2.
Dust environment Zone 21 & Zone 22.
IEC/EN 60079-0, 7, 28, 31

WARRANTY

5 year warranty, see Limited Warranty for additional information.



SHIPPING DATA

Product	Measurement	Weight
EXM-100	15"L x 15"W x 12"H	18 lb
EXM-200	15"L x 15"W x 12"H	19 lb



EXM SERIES HAZARDOUS BAY LIGHT

ORDER INFORMATION				EXAMPLE: EXM 100 50 60 YM GR UD		
Fixture	Series	Power & LM	CCT	Mounting	Finish	Input
	EXM				GR	
Accessories						
Options						

A SERIES

EXM Hazardous Bay Light

B POWER & LM

Code	Power	Lumen
100	100W	15,500lm
200	200W	31,500lm

Scalable lumen package, consult factory

C CCT

40	4000K
50	5000K

D DISTRIBUTION

60	60°
90	90°
120	120°

D MOUNTING

YM	Yoke Mount (Standard)
CM	Ceiling Mount with (4) Entry for 3/4" Conduit
PM	Pendant Mount for 3/4" NPT Conduit
ST	Wall Stanchion Mount with (4) Entry for 3/4" Conduit
RP	Round Pole Mount for 1-1/2" NPT or 1-1/4" NPT Round Pole

E FINISH

GR Corrosion resistant Gray finish.

F INPUT

UD	120-277V, 0-10V Dimming, PWM, Rx 3-in-1 Dimming
HD	347-480V, 0-10V Dimming, PWM, Rx 3-in-1 Dimming

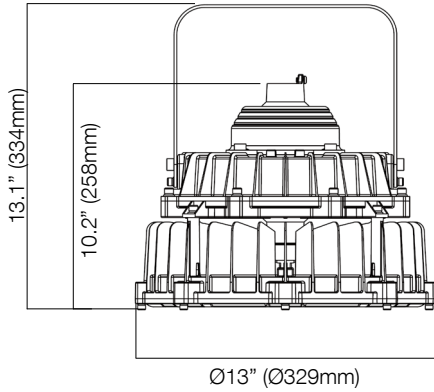
G ACCESSORIES/OPTIONS

AIA Assembled in America, compliant with BAA (COTS)

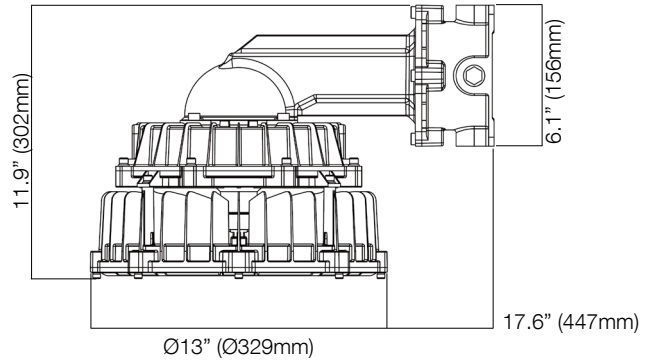
EXM SERIES HAZARDOUS BAY LIGHT

DIMENSIONS - EXM-100 / 200

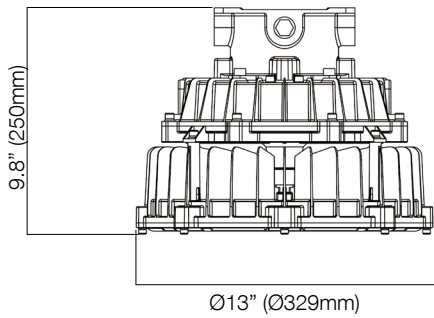
**Yoke Mount
(YM)**



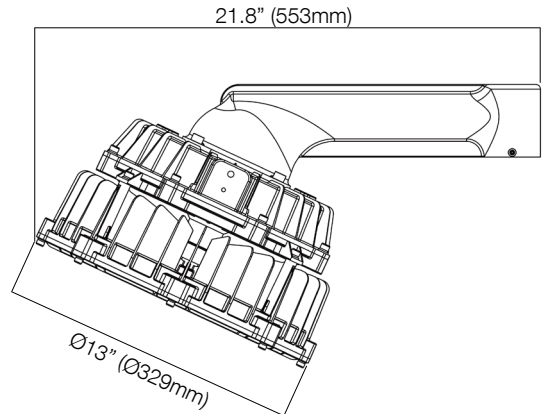
**Stanchion Mount
(ST)**



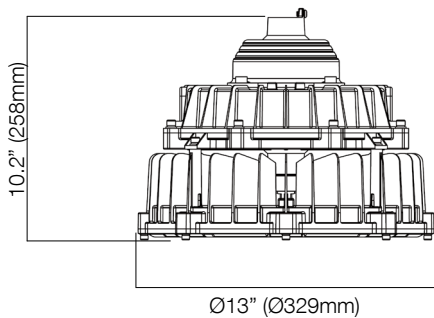
**Ceiling Mount
(CM)**



**Round Pole Mount
(RP)**



**Pendant Mount
(PM)**





EXM SERIES HAZARDOUS BAY LIGHT

PERFORMANCE DATA

SYSTEM WATTS	VOLTAGE	4000K		5000K	
		LUMENS	LPW	LUMENS	LPW
100W	120-277V / 347-480V	15400	154	15500	154
200W	120-277V / 347-480V	31500	157	31500	157