

HBA2-G2 SERIES WET LOCATION BAY LIGHT

Client:
Project:
Type:
Quantity:

CONSTRUCTION

Single piece die-cast aluminum housing, maximizes heat dissipation and life expectancy of the luminaire.

Suitable for interior/exterior, wet, high pressure washdown applications.

OPTICS

Standard clear polycarbonate lens protects LEDs against solid and liquid impact, symmetric LED board layout offers maximum uniformity illumination.

ELECTRICAL

70 CRI Lumileds LED.

-40°C up to 45°C (-40°F up to 113°F) maximum operating temperature.

Long-life 50,000 hr LED at L70.

Available with CCT / Output selectable function.

Universal Input 100-280V, 0-10V dimming, output 36V-42V, with 12V AUX output, 50/60Hz, <15% THD, 0.9 power factor.

Optional 347/480V input.

Optional dimming sensor for occupancy and ambient light level detection.

SENSORS (OPTIONAL)

SENSOR-ANT-6-4T Plug-N-Play PIR on/off/dimming/photosensing.

SENSOR-BLE-6-4T Integral PIR ALS Control bluetooth/on/off/dimming/photosensing.

MOUNTING

Standard Snap Hook w/Safety Cable included.

Optional 3/4" Pipe Adapter to Pendant Mount Application.

Optional Yoke mount bracket.

STANDARD FINISH

Corrosion resistant semi-gloss Black or White finish.

CERTIFICATION

Wet location label standard.

Meets Buy America Act requirements. Available for BAA Compliant projects.

All luminaires are built to UL1598 standards and bear appropriate cULus labels.

For Emergency application, equipment with UL924 certified battery packs.

DLC® Premium (DesignLights Consortium Qualified)

WARRANTY

5 year warranty, see Limited Warranty for additional information.



w/Optional Plug in Sensor



HBA2-G2 SERIES WET LOCATION BAY LIGHT

ORDER INFORMATION **EXAMPLE : HBA2-G2 230 SC C BK UD**

Fixture	Series	Power & LM	CCT	Lens	Finish	Input
	HBA2-G2	230	SC	C		
Mounting				Accessories		
				Options		

A SERIES

HBA2-G2 LED Bay Light Selectable (HBA2 Gen 2)

B POWER & LM

Code	Power	LM
230	Field Selectable 92 / 138 / 184 / 230W	16,500 / 24,000 / 30,000 / 36,000

C CCT

SC Field Selectable 3000 / 4000 / 5000K

D LENS

C Clear Polycarbonated Lens

E FINISH

BK	Black
WH	White

F INPUT

UD	120-277V, 0-10V Dimmable
HD	347-480V, 0-10V Dimmable

G MOUNTING

blank	Snap Hook Mount w/Safety Cable (standard)
MOUNT-HB-PIPE-BK	3/4" Pipe Adapter to Pendant Mount Application
MOUNT-HBA2-G2-YM	Yoke Mount

H ACCESSORIES/OPTIONS

AIA	Assembled in America, compliant with BAA (COTS)
SENSOR-ANT-6-4T*	Integral PIR on/off/dimming/photosensing
SENSOR-ANT-6-4T-EM*	Integral PIR on/off/dimming/photosensing with EMB
SENSOR-BLE-6-4T*	"Plug-N-Play" Integral Bluetooth Daylight Harvesting Sensor (ALS Control Mobile App)
REMOTE-RC100	Handheld Remote Commissioning Tool for SENSOR-ANT (1 per job)
EMB-25W**	High Voltage Output Smart Emergency Battery 25W 100-347VAC Input 170VDC Output
-CORD	18-3 300V 6 Foot Cord
-PLUG	6 Foot Cord and 3 Prong Plug
TWIST-LOCK	Specify Plug Type: L515P / L715P / HBL5929 / L8-20P

*see page 7 for sensor spec

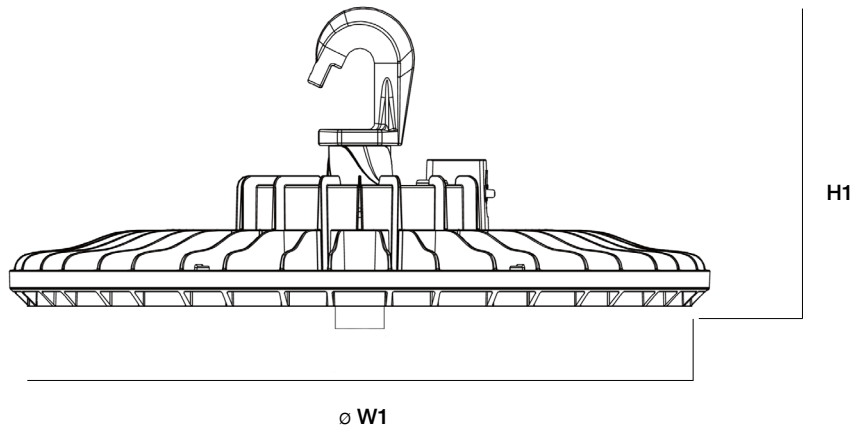
**see page 5 for emb spec

HBA2-G2 SERIES WET LOCATION BAY LIGHT

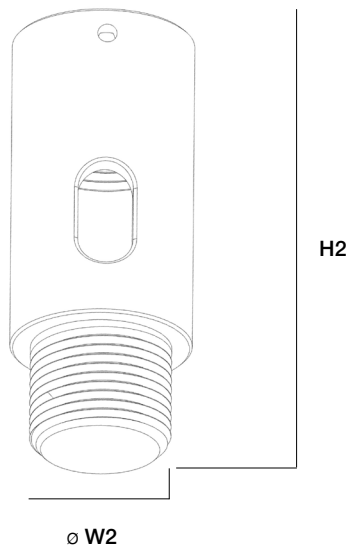
DIMENSIONS

Model	H1	H2	W1	W2
HBA2-G2-230	7.53" (191mm)		ø 14.13" (359mm)	
MOUNT-HB-PIPE-BK		3.15" (80mm)		ø 1.01" (26mm)

Luminaire



Pipe Adapter



HBA2-G2 SERIES WET LOCATION BAY LIGHT

PHOTOMETRIC

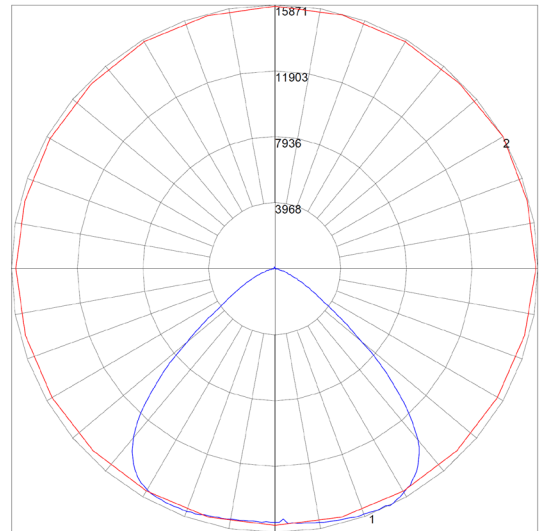
HBA2-G2-230SC

Zone	Lumen	Luminaire%
0-30	13073	36.10
0-40	22243	61.40
0-60	33989	93.90
0-90	36055	99.60
0-180	36208	100

Lumen: 36208
 Input Watts: 220.1 W
 Efficacy: 165 LPW

Maximum Candela = 15871.12 Located At Horizontal Angle = 30, Vertical Angle = 26
 # 1 - Vertical Plane Through Horizontal Angles (30-210) (Through Max. Cd.)
 # 2 - Horizontal Cone Through Vertical Angle (26) (Through Max. Cd.)

IES: HBA2-G2-230SC @ 230W 4000K



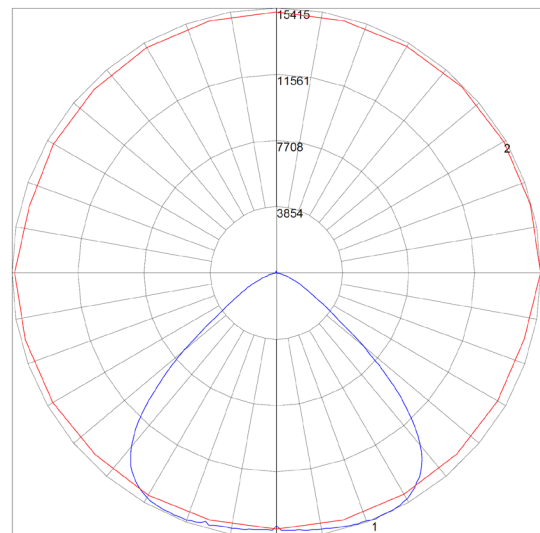
HBA2-G2-230SC

Zone	Lumen	Luminaire%
0-30	12614	36.10
0-40	21459	61.40
0-60	32819	93.80
0-90	34824	99.60
0-180	34972	100

Lumen: 34972
 Input Watts: 227.69 W
 Efficacy: 154 LPW

Maximum Candela = 15415.24 Located At Horizontal Angle = 0, Vertical Angle = 22
 # 1 - Vertical Plane Through Horizontal Angles (0-180) (Through Max. Cd.)
 # 2 - Horizontal Cone Through Vertical Angle (26) (Through Max. Cd.)

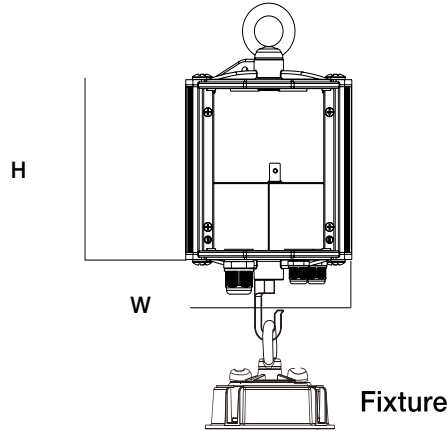
IES: HBA2-G2-230SC @ 230W 5000K



HBA2-G2 SERIES WET LOCATION BAY LIGHT

EMERGENCY BATTERY

Model	H	W
EMB-25W	6.80" (173mm)	ø 5.47" (139mm)

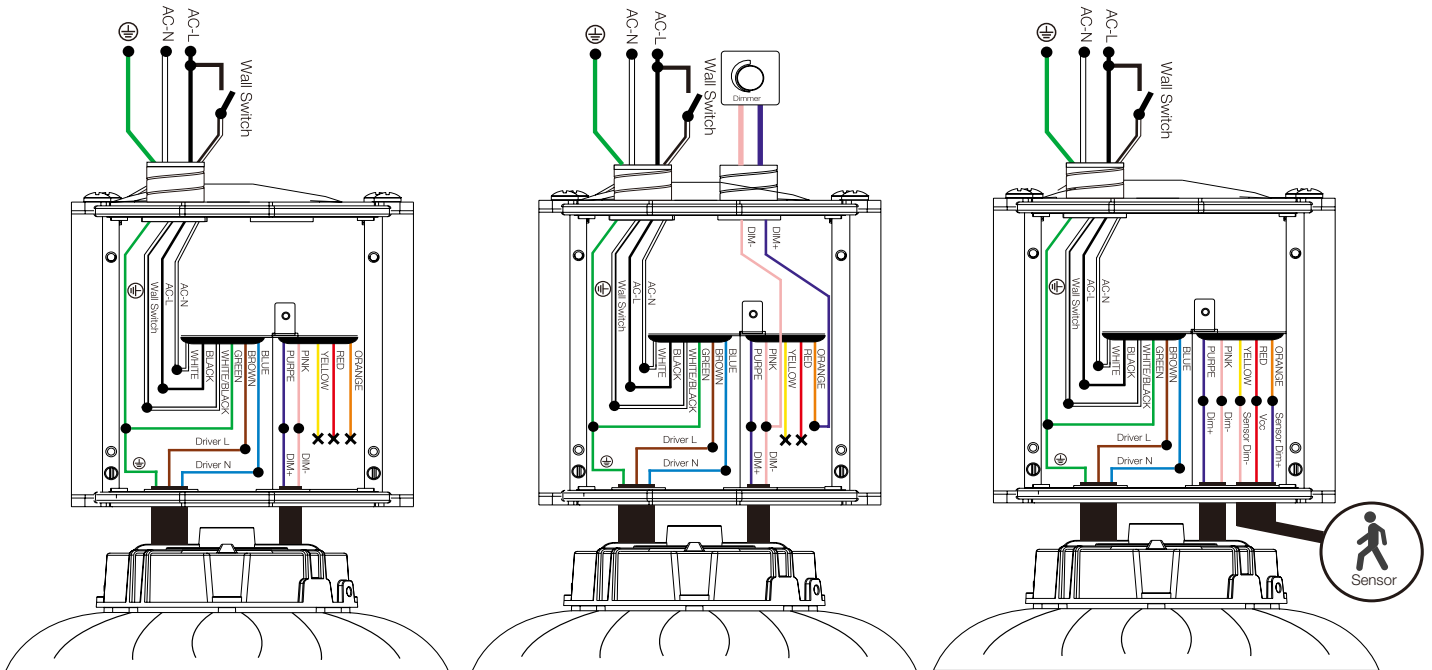


EMERGENCY BATTERY DIAGRAM

On/Off

w/0-10V
Dimmer

w/DC Sensor
SENSOR-ANT-6-4T



HBA2-G2 SERIES WET LOCATION BAY LIGHT

PERFORMANCE DATA / DLC CODE

SYSTEM WATTS	CCT	VOLTAGE	LUMEN	LPW	PART NUMBER	DLC PRODUCT ID / ORDER CODE	DLC CLASS
HBA2-G2-230 92W Selection	3000K	120-277V	15500	168	HBA2-230SC-CXXUD	Pending	DLC 5.1 Premium
	4000K	120-277V	16500	179		Pending	DLC 5.1 Premium
	5000K	120-277V	16000	174		Pending	DLC 5.1 Premium
HBA2-G2-230 138W Selection	3000K	120-277V	22000	159		Pending	DLC 5.1 Premium
	4000K	120-277V	24000	174		Pending	DLC 5.1 Premium
	5000K	120-277V	23000	167		Pending	DLC 5.1 Premium
HBA2-G2-230 184W Selection	3000K	120-277V	28000	152		Pending	DLC 5.1 Premium
	4000K	120-277V	30000	163		Pending	DLC 5.1 Premium
	5000K	120-277V	29000	158		Pending	DLC 5.1 Premium
HBA2-G2-230 230W Selection	3000K	120-277V	34000	148		Pending	DLC 5.1 Premium
	4000K	120-277V	36000	157		Pending	DLC 5.1 Premium
	5000K	120-277V	35000	152		Pending	DLC 5.1 Premium

HBA2-G2 SERIES WET LOCATION BAY LIGHT

SENSOR SPEC

Model	Type	Mounting	Coverage	Input	Function	Programmable
SENSOR-ANT-6-4T SENSOR-ANT-6-4T-EM	PIR	up to 40FT	30FT radius	12V DC	On/Off/Dimming	REMOTE-RC100
SENSOR-BLE-6-4T (see page 9 for detail)	PIR	up to 40FT	30FT radius	12V DC	Bluetooth Mesh On/Off/Dimming Daylight Harvesting	ALS Control Bluetooth Mobile App



SENSOR-ANT-6-4T
 SENSOR-ANT-6-4T-EM
 SENSOR-BLE-6-4T

FEATURE

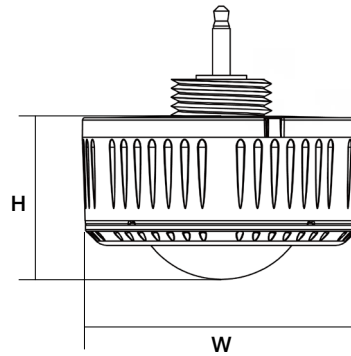
- **Installation:** Plug-N-Play via AUX socket on attached fixture
- **Commissioning:** Wirelessly through ALS Control Mobile App (iOS / Android)
- **Certification:** DLC 5.1 Networked Lighting Control System
- **Control:** Hold time, High-Low setting, continuous Bi-level dimming, Code-compliant manual-on or auto-off capability
- **Sensor:** Motion (Occupancy/Vacancy/Manual) and Daylight Harvesting
- **Room and Zone Control:** Zoning and Grouping control, Scheduling



SPECIFICATIONS

SENSOR TYPE:	Passive Infrared Sensor (PIR)
WIRELESS STANDARDS:	5.0 Bluetooth Mesh
INPUT VOLTAGE:	12-24VDC, >50mA
CONTROL OUTPUT:	0-10V
OPERATING TEMP:	-4°F ~ +140°F (-20°C ~ +60°C)
COMMISSIONING RANGE:	50FT
BLUETOOTH RANGE:	164FT
DETECTION ANGLE:	360°
MOUNTING HEIGHT:	Up to 40FT
WARRANTY:	5 years
IP RATING:	IP65
FACTORY DEFAULT SETTINGS:	100% Brightness for 5 min Dim Down to 30% Hold for 10 min Turn Off

DIMENSIONS



H	W
1.03" (26.2mm)	2.17" (55mm)

COVERAGE PATTERNS

