

**CPR SERIES GARAGE LIGHT**

Client:  
 Project:  
 Type:  
 Quantity:

**CONSTRUCTION**

Rugged die-cast aluminum housing with corrosion resistant powder coat finish both protects and provides architectural appearance.  
 Heat dissipating fins provide superior thermal performance extending the life of the luminaire. Feed-through wiring ready, 1/2" NPT threading with water tight cap.

**OPTICS**

Round drop lens constructed of polycarbonate material with refractive features built in to maximize area coverage, offers 1% uplight. Light engine available in 4000K, 5000K CCT (70+ CRI).



**ELECTRICAL**

70+ CRI Lumileds LED.  
 -40°C up to 45°C (-40°F up to 113°F) maximum operating temperature.  
 120,000 hr at L70 @ 25°C, 95,000 hr at L70 40°C.  
 Driver operates at 120-277V input, 50/60Hz, 1-10V dimming driver standard. Option to have dimming leads pulled out for easy connection. <20% THD, 0.9 power factor.  
 Optional Emergency Backup Battery.

**SENSORS (OPTIONAL)**

SENSOR-819-O1 End mount on/off motion sensor with lowbay lens.  
 SENSOR-819-D1 End mount on/off/dimming and photocell sensor with lowbay lens.  
 SENSOR-BLE-819 End mount ALS CONTROL bluetooth on/off motion sensor lowbay lens.  
 SENSOR-823 Integral PIR on/off/dimming/photosensing.  
 SENSOR-PH-PB-U Integral button style photocell.  
 CONTROL-LVFA AVI-ON Bluetooth Mesh Controller.

**MOUNTING**

Integrated universal mounting plate which mounts directly to 4" round, octagonal, and square junction boxes. The easy to install quick-mount bracket system allows for free hand wiring suitable for mounting to a surface mounted j-box or to a rigid or free swinging pendant (supplied by others).  
 3/4" conduit entry on top for pendant mount. 1/2" conduit entry on two sides.

**SHIPPING DATA**

Product	Measurement	Weight
CPR-30	13"L x 13"W x 4"H	6 lb
CPR-45	13"L x 13"W x 4"H	6 lb
CPR-60 / CPRA-60	13"L x 13"W x 4"H	6 lb
CPR-90	14"L x 14"W x 4"H	7 lb

**STANDARD FINISH**

Corrosion resistant semi-gloss White finish.

**CUSTOM FINISH**

Corrosion resistant Dark Bronze, Black, Graphite Metallic, Gray, Silver, Custom RAL#.

**CERTIFICATION**

IP66 Wet location label standard.  
 Meets Buy America Act requirements.  
 All luminaires are built to UL1598 standards and bear appropriate cULus labels.  
 For Emergency application, equipment with UL924 certified battery packs.  
 DLC® Premium (DesignLights Consortium Qualified)

**WARRANTY**

5 year warranty, see Limited Warranty for additional information.



**CPR SERIES GARAGE LIGHT**

ORDER INFORMATION				EXAMPLE : CPR 40 50 F JM WH UD			
Fixture	Series	Power & LM	CCT	Distribution	Mounting	Finish	Input
	<b>CPR</b>			<b>F</b>	<b>JM</b>		<b>UD</b>
<b>A SERIES</b>				<b>A SERIES</b>			
<b>CPR</b>	Circular Garage Light			<b>CPRA</b>	Circular Garage Light Selectable		
<b>B POWER &amp; LM</b>				<b>B POWER &amp; LM</b>			
Code	Power	LM		Code	Power	LM	
<b>30</b>	30W	3750lm		<b>60</b>	30 / 45 / 60W	3750 / 5500 / 7300lm	
<b>45</b>	45W	5500lm			Field Selectable		
<b>60</b>	60W	7300lm					
<b>90</b>	90W	11600lm					
<b>C CCT</b>				<b>C CCT</b>			
<b>40</b>	4000K			<b>SC</b>	3000 / 4000 / 5000K		
<b>50</b>	5000K				Field Selectable		
<b>D DISTRIBUTION</b>							
<b>F</b>	Frosted Drop Lens						
<b>E MOUNTING</b>							
<b>JM</b>	Surface Mount (3/4" conduit entry on top)						
<b>F FINISH</b>							
Standard							
<b>WH</b>	White						
Custom Color							
<b>CC</b>	<b>DB</b>	Dark Bronze		<b>BK</b>	Black		<b>GM</b>
	<b>GR</b>	Gray		<b>SV</b>	Silver		<b>RAL#</b>
<b>G INPUT</b>							
<b>UD</b>	120-277V, 0-10V Dimmable						

**ORDER INFORMATION (CONTINUED)**

Accessories

Options

**H ACCESSORIES/OPTIONS**

<b>AIA</b>	Assembled in America, compliant with BAA (COTS)
<b>EMB-8W**</b>	8W Emergency Battery 170VDC Forward Voltage
<b>SENSOR-819-O1-L1 / L2*</b>	End mount on/off motion sensor w/lowbay lens / <b>L1:</b> up to 20FT, <b>L2:</b> up to 40FT
<b>SENSOR-819-D1-L1 / L2*</b>	End mount on/off/dimming and photocell sensor with lowbay lens / <b>L1:</b> up to 20FT, <b>L2:</b> up to 40FT
<b>SENSOR-BLE-819-L1*</b>	End Mount PIR Bluetooth Daylight Harvesting Sensor (ALS Control Mobile App) / <b>L1:</b> up to 20FT
<b>SENSOR-823-L3 / L4*</b>	Integral PIR on/off/dimming/photosensing / <b>L3:</b> up to 40FT, <b>L4:</b> up to 8FT
<b>SENSOR-PH-PB-U*</b>	Button Style Photocell
<b>CONTROL-LVFA*</b>	AVI-ON Bluetooth Mesh Control System
<b>REMOTE-RC100</b>	Handheld Remote Commissioning Tool for SENSOR-819-D1/D2 Only, 823 Series

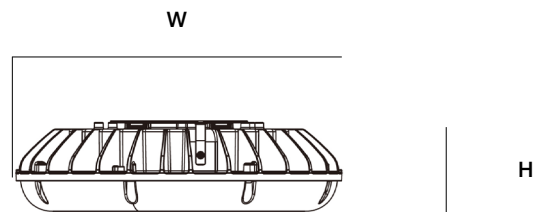
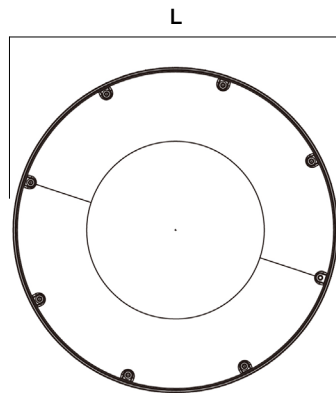
\*see page 6 for sensor

\*\*see page 7 for emb spec

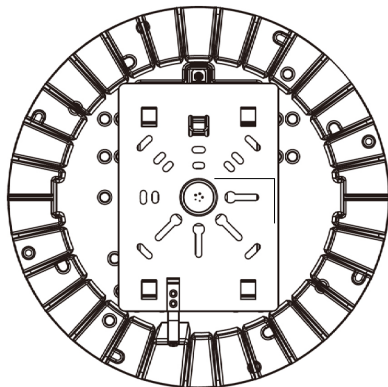
**CPR SERIES GARAGE LIGHT**

**DIMENSIONS**

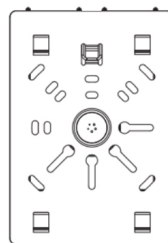
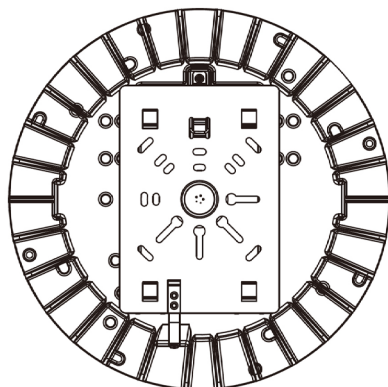
Power	L	W	H
CPR-30 / 45 / 60W CPRA-60	ø 12.00" (305mm)	ø 12.00" (305mm)	3.32" (84mm)
CPR-90W	ø 13.03" (331mm)	ø 13.03" (331mm)	3.15" (80mm)



**MOUNTING OPTIONS**



3/4" conduit entry on top for pendant mount



Surface Mount Plate  
 For direct mounting with electrical box

**CPR SERIES GARAGE LIGHT**

**PERFORMANCE DATA**

SYSTEM WATTS	VOLTAGE	4000K		3000K / 5000K		QTY ON PALLET
		LUMENS	LPW	LUMENS	LPW	
30W	120-277V	3547	118	3622	121	252
45W	120-277V	4893	109	5091	113	252
60W	120-277V	7021	117	7303	122	252
90W	120-277V	11400	127	11600	129	252

**DLC CODE**

Part Number	DLC Part Number	DLC Class
CPR - 30 40 F - XX DB UD	MCP0330W27V40K[D,B,W][Blank,M]DPG	Premium
CPR - 30 50 F - XX DB UD	MCP0330W27V50K[D,B,W][Blank,M]DPG	Premium
CPR - 45 40 F - XX DB UD	MCP0345W27V40K[D,B,W][Blank,M]DPG	Premium
CPR - 45 50 F - XX DB UD	MCP0345W27V50K[D,B,W][Blank,M]DPG	Premium
CPR - 60 40 F - XX DB UD	MCP0360W27V40K[D,B,W][Blank,M]DPG	Premium
CPR - 60 50 F - XX DB UD	MCP0360W27V50K[D,B,W][Blank,M]DPG	Premium

**CPR SERIES GARAGE LIGHT**

**SENSOR SPEC**

Model	Type	Mounting	Coverage	Input	Function	Programmable
SENSOR-819-O1	PIR	L1 - 20FT L2 - 40FT	30FT radius 30FT radius	Universal	On/Off	-
SENSOR-819-D1	PIR	L1 - 20FT L2 - 40FT	30FT radius 30FT radius	Universal	On/Off/Dimming	REMOTE-RC100
SENSOR-BLE-819 (see page 8 for detail)	PIR	L1 - 20FT	30FT radius	Universal	Bluetooth Mesh On/Off/Dimming Daylight Harvesting	ALS Control Bluetooth Mobile App
SENSOR-823	PIR	L3 - 40FT L4 - 8FT	30FT radius 24FT radius	Universal	On/Off/Dimming	REMOTE-RC100
SENSOR-PH-PB-U	-	-	-	Universal	Dusk-to-Dawn Control	-
CONTROL-LVFA (see page 7 for detail)	Fixture Controller	-	-	12V DC	Bluetooth Mesh On/Off/Dimming Scheduling	AVI-ON Bluetooth Mobile App



SENSOR-819-O  
 SENSOR-819-D  
 SENSOR-BLE-819



SENSOR-823



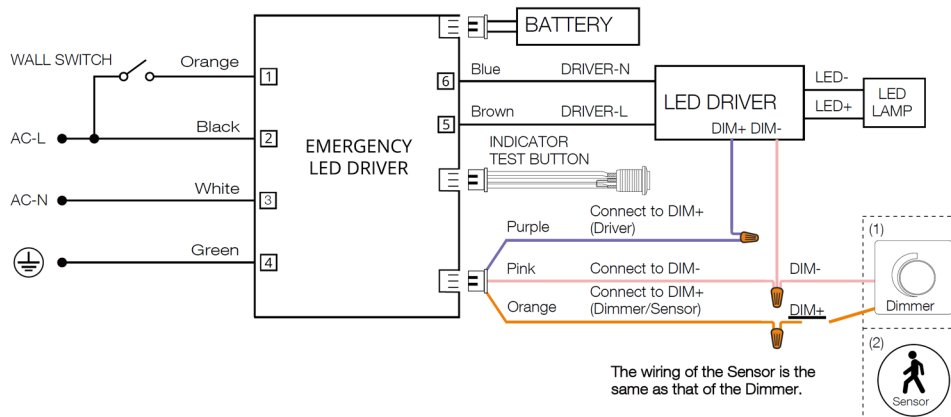
SENSOR-PH-PB-U



CONTROL-LVFA

**EMB SPEC**

Model	Battery Capacity	Input	Output	Output Power	Operating Temp	Installation
EMB-8W	90mins	100-347VAC	170VDC	8W	0°C ~ 50°C 32°F ~ 122°F	Field Install Factory Install



**CONTROL-LVFA SPEC**

**Status LEDs & Config Button**

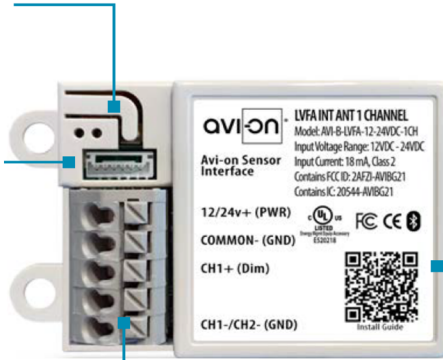
Quick and easy validation of wiring and network

**Direct Connect™ Sensor Port**

Simple and cost-effective addition to Avi-on sensors

**Terminal Blocks & Mounting Tabs**

Faster, easier and lower cost installation eliminating connectors



**Internal Antenna**

Improved performance and eliminates risk of accidentally cutting a hanging wire

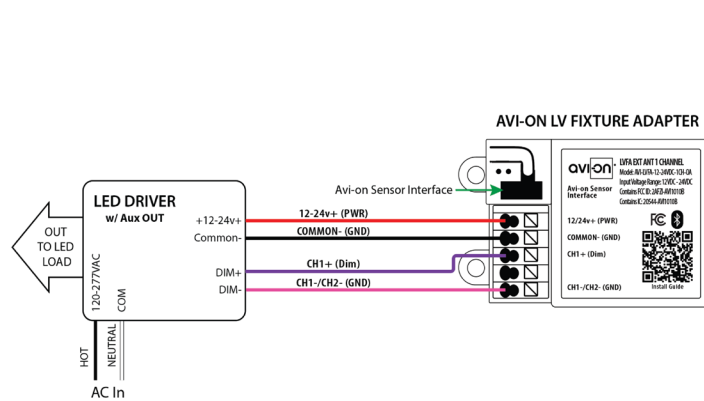
**SPECIFICATIONS**

**INPUT VOLTAGE:** 12-24VDC  
**CURRENT:** 15mA without a Sensor  
 19mA with a DC PIR Sensor  
 48mA with a DC Microwave Sensor  
**0-10V DIMMING:** 12-24VDC  
**SIZE:** 2.30in x 1.43in x 0.75in  
 (58.2mm x 36.4mm x 19mm)  
**MOUNTING:** Removable mounting tabs  
**WEIGHT:** 0.45 oz (16g)  
**OPERATING TEMP:** -22°F to +158°F (-30°C to + 70°C)

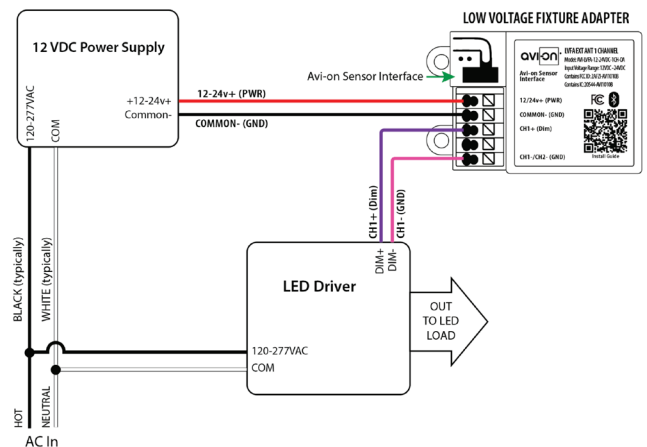
**RADIO FREQUENCY:** 2.4GHz  
**WIRELESS STANDARD:** BLE 4.2 with Mesh  
**POINT TO POINT RANGE\*:** 80ft with obstructions  
 350ft unobstructed  
**SECURITY:** AES 128-bit encryption for device to device communication  
 AES 256-bit encryption for device to cloud communication  
**WARRANTY:** 5 years; 10 years optional  
**REGULATORY:** FCC: 2AFZI-AVI1010 B  
 IC: 20544-AVI1010 B  
 BQB: D031801, DID: 86303  
 UL 916, 2043 (Plenum Rated)

\*When communicating through the mesh, range is essentially unlimited (5000ft+)

**WIRING DIAGRAM**



Fixture adapter powered by LED driver auxiliary output



Fixture adapter connected to LED driver and using power supply

**FEATURE**

- **Installation:** Factory or Field Install End Mount to Fixture
- **Commissioning:** Wirelessly through ALS Control Mobile App (iOS / Android)
- **Certification:** DLC 5.1 Networked Lighting Control System
- **Control:** Hold time, High-Low setting, continuous Bi-level dimming, Code-compliant manual-on or auto-off capability
- **Sensor:** Motion (Occupancy/Vacancy/Manual) and Daylight Harvesting
- **Room and Zone Control:** Zoning and Grouping control, Scheduling

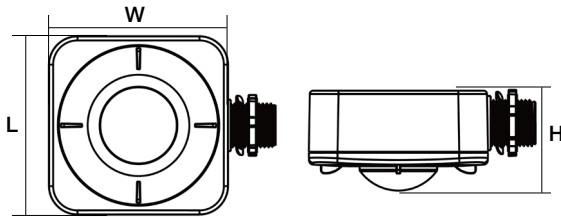


**SPECIFICATIONS**

**SENSOR TYPE:** Passive Infrared Sensor (PIR)  
**WIRELESS STANDARDS:** Bluetooth SIG Mesh  
**INPUT VOLTAGE:** 120/277VAC  
**CONTROL OUTPUT:** 0-10V  
**OPERATING TEMP:** -40°F ~ +167°F (-40°C ~ +75°C)

**COMMISSIONING RANGE:** 50FT  
**BLUETOOTH RANGE:** Intergral antenna up to 100FT  
**DETECTION ANGLE:** Vertical 90° x Horizontal 360°  
**MOUNTING HEIGHT:** 8 - 40FT  
**WARRANTY:** 5 years  
**IP RATING:** IP20 Damp

**DIMENSIONS**



L	W	H
3.19" (81mm)	4.02" (102mm)	1.70" (43.3mm)

**COVERAGE PATTERNS**

