

**SPQ SERIES SPORTS LIGHT**

Client:  
 Project:  
 Type:  
 Quantity:

**CONSTRUCTION**

Single-piece die-cast aluminum modular housing, dynamic thermal management design that maximizes heat dissipation, substantially increasing life of the luminaire. Available with single, duo or trio-module configuration to meet various project requirements. Low wind-load design, light weight, EPA friendly

**OPTICS**

Precisely engineered optics aim light to uniformly illuminate the field  
 Available with 10, 15, 30, 60, 90 Degree and NEMA Type II distribution  
 Maximum delivered lumen upto 270,000  
 Optional light shield for less glare and light spill

**ELECTRICAL**

-40°C minimum to +50°C maximum operating temperature  
 RoHS compliant electronic Class I drivers expected life of 100,000 hours  
 <1% failure rate  
 >.9 power factor  
 <20% total harmonic distortion  
 10KV surge protector

**CONTROL (OPTIONAL)**

CONTROL-AVI-LVFA AVI-ON Bluetooth Mesh Controller.

**MOUNTING**

Robust designed yoke mount secured with 3/4" bolt, versatile mounting bracket designed for ease of installation, 10° increment marking built on bracket offers precise horizontal and vertical aiming

**STANDARD FINISH**

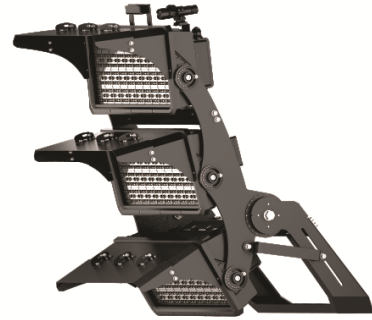
Black UV stabilized polyester powder paint finish.

**CERTIFICATION**

Meets Buy America Act requirements.  
 IP65 Wet location label standard.  
 All luminaires are built to UL1598 standards and bear appropriate cETLus labels.  
 DLC® Premium (DesignLights Consortium Qualified).

**WARRANTY**

5 year warranty, see Limited Warranty for additional information.



**SHIPPING DATA**

Product	Measurement	Weight
SPQ-400	27"L x 20"W x 11"H	46 lb
SPQ-500	27"L x 20"W x 11"H	46 lb
SPQ-600	27"L x 20"W x 11"H	46 lb
SPQ-800	37"L x 29"W x 13"H	84 lb
SPQ-1000	37"L x 29"W x 13"H	84 lb
SPQ-1200	37"L x 29"W x 13"H	84 lb
SPQ-1500	64"L x 30"W x 14"H	143 lb
SPQ-1800	99"L x 30"W x 14"H	143 lb



**SPQ SERIES SPORTS LIGHT**

**ORDER INFORMATION** **EXAMPLE: SPQ 500 40 60 BK UNV**

Fixture	Series	Power & LM	CCT	Distribution	Finish	Input
	<b>SPQ</b>				<b>BK</b>	

Mounting

Accessories  
Options

**A SERIES**

**SPQ** Modular Sports Light

**B POWER & LM**

Code	Power	LPW (Avg.)	Code	Power	LPW (Avg.)
<b>400</b>	400W, 62535lm	156	<b>1000</b>	1000W, 148,991lm	148
<b>500</b>	500W, 74691lm	149	<b>1200</b>	1200W, 188,409lm	157
<b>600</b>	600W, 91482lm	152	<b>1500</b>	1500W, 221,807lm	147
<b>800</b>	800W, 124667lm	156	<b>1800</b>	1800W, 264,410lm	146

**C CCT**

40	4000K
50	5000K

**D DISTRIBUTION**

10	10 °		60	60 °
15	15 °		90	90 °
30	30 °		T2	117 x 34 °

**E FINISH**

**BK** Black Finish

**F INPUT**

<b>UNV</b>	100-277V input	<b>HVL</b>	249-528V input
<b>UNVD</b>	100-277V input, 1-10V dimmable	<b>HVLD</b>	249-528V input, 1-10V dimmable

**G MOUNTING**

<b>MOUNT-SPQ-YM-BK</b>	Yoke Mount
<b>MOUNT-SPQ-SF-BK</b>	Slipfitter Mount

**H ACCESSORIES/OPTIONS**

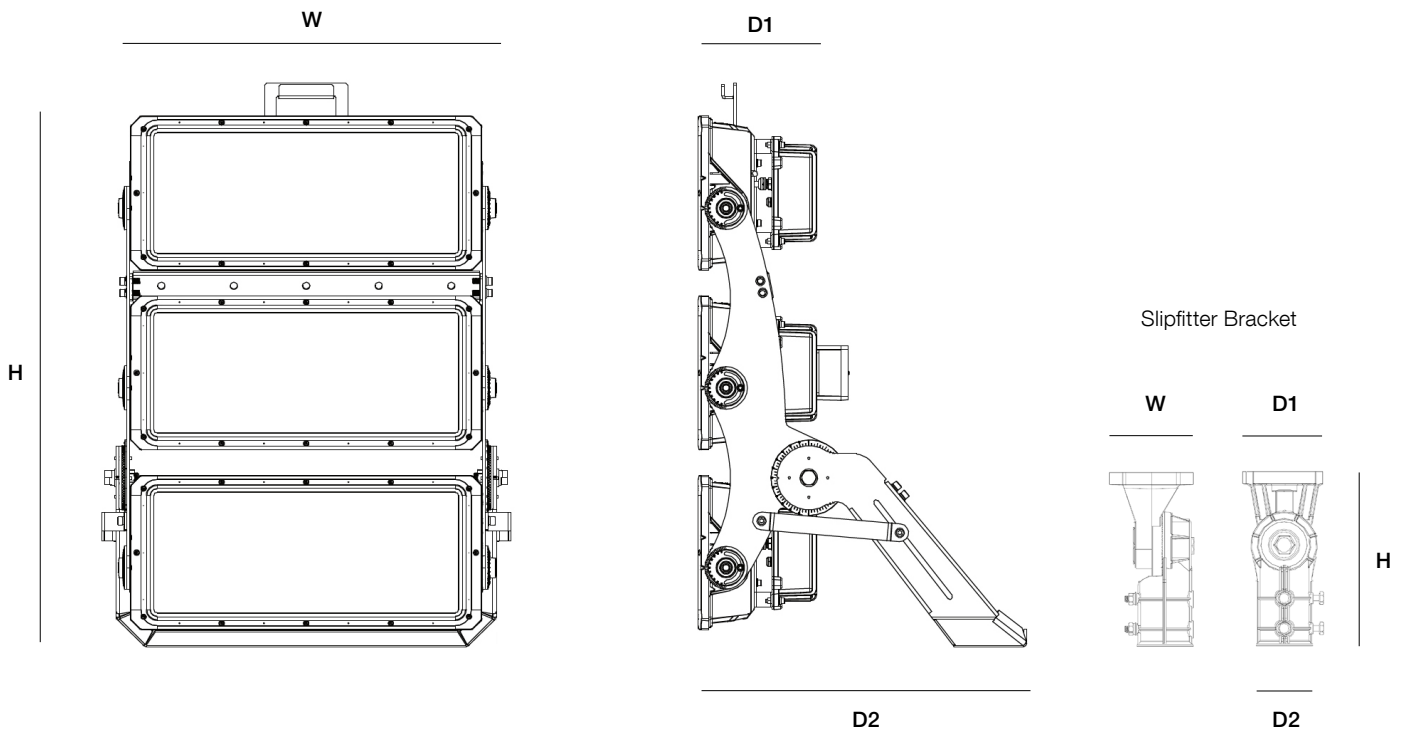
<b>AIA</b>	Assembled in America
<b>SHIELD-SPQ-BK</b>	Glare Shield for SPQ
<b>LASER-SPQ</b>	Laser Pointer for Aiming Purpose
<b>CONTROL-AVI-LVFA*</b>	AVI-ON Bluetooth Mesh Control System

\*see page 5 for sensor spec

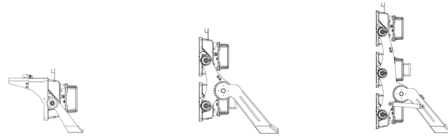
**SPQ SERIES SPORTS LIGHT**

**DIMENSIONS**

Model	Module	H	W	D1	D2
400W/500W/600W	1	15.08" (383mm)	22.92" (582mm)	7.89" (200mm)	9.62" (244mm)
800W/1000W/1200W	2	21.75" (553mm)	24.80" (630mm)	7.73" (196mm)	20.52" (521mm)
1500W/1800W	3	34.60" (879mm)	24.80" (630mm)	7.73" (196mm)	21.43" (544mm)
Slipfitter Bracket		10.28" (261mm)	4.91" (125mm)	4.91" (125mm)	Ø 2.50" (64mm)



**EPA**



Mounting	Yoke	Yoke	Yoke
400W-600W	1.33		
800W-1200W		2.56	
1500W-1800W			3.87

**SPQ SERIES SPORTS LIGHT**

**PERFORMANCE DATA**

SYSTEM WATTS	VOLTAGE	DIST. TYPE	LUMEN	LPW
400W	100-277V	10°	52573	131
	100-277V	15°	51550	129
	100-277V	30°	62535	156
	100-277V	60°	63355	158
	100-277V	90°	62481	156
	100-277V	T2	56564	141
500W	100-277V	10°	60568	121
	100-277V	15°	65596	131
	100-277V	30°	74691	149
	100-277V	60°	76085	152
	100-277V	90°	75380	151
	100-277V	T2	68457	137
600W	100-277V	10°	TBD	TBD
	100-277V	15°	TBD	TBD
	100-277V	30°	91482	152
	100-277V	60°	93195	155
	100-277V	90°	91929	153
	100-277V	T2	83963	140
800W	100-277V	10°	105274	132
	100-277V	15°	113348	142
	100-277V	30°	124667	156
	100-277V	60°	123382	154
	100-277V	90°	124228	155
	100-277V	T2	112552	141
1000W	100-277V	10°	122655	123
	100-277V	15°	134072	134
	100-277V	30°	148000	148
	100-277V	60°	147158	147
	100-277V	90°	146669	147
	100-277V	T2	135942	136
1200W	100-277V	10°	TBD	TBD
	100-277V	15°	TBD	TBD
	100-277V	30°	188409	157
	100-277V	60°	191878	160
	100-277V	90°	191168	159
	100-277V	T2	168616	141
1500W	100-277V	10°	180148	120
	100-277V	15°	197155	131
	100-277V	30°	221807	148
	100-277V	60°	221272	148
	100-277V	90°	228629	152
	100-277V	T2	204226	136
1800W	100-277V	10°	TBD	TBD
	100-277V	15°	243792	135
	100-277V	30°	264410	147
	100-277V	60°	279556	155
	100-277V	90°	274923	153
	100-277V	T2	254255	141

**SPQ SERIES SPORTS LIGHT**

**SENSOR SPEC**

Model	Type	Mounting	Coverage	Input	Function	Programmable
CONTROL-AVI-LVFA (see page 6 for detail)	Fixture Controller	-	-	12V DC	Bluetooth Mesh On/Off/Dimming Scheduling	AVI-ON Bluetooth Mobile App



CONTROL-AVI-LVFA

**SPQ SERIES SPORTS LIGHT**

**CONTROL-AVI-LVFA SPEC**

**Status LEDs & Config Button**

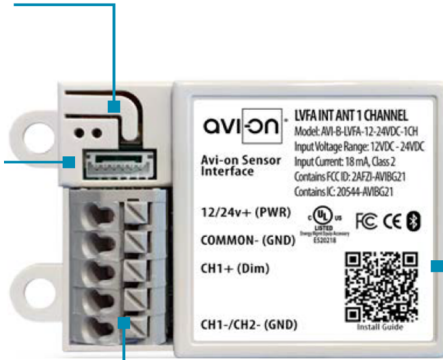
Quick and easy validation of wiring and network

**Direct Connect™ Sensor Port**

Simple and cost-effective addition to Avi-on sensors

**Terminal Blocks & Mounting Tabs**

Faster, easier and lower cost installation eliminating connectors



**Internal Antenna**

Improved performance and eliminates risk of accidentally cutting a hanging wire

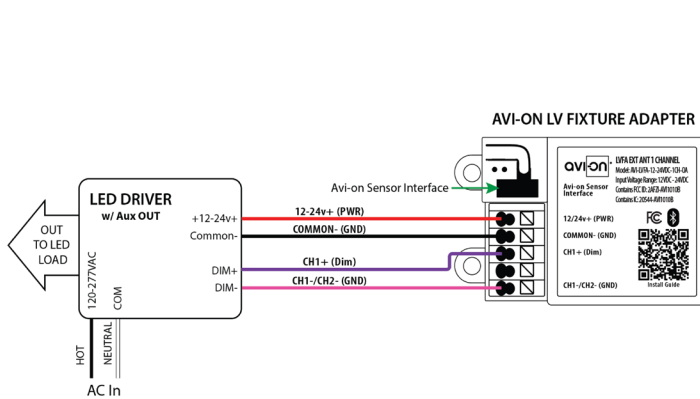
**SPECIFICATIONS**

**INPUT VOLTAGE:** 12-24VDC  
**CURRENT:** 15mA without a Sensor  
 19mA with a DC PIR Sensor  
 48mA with a DC Microwave Sensor  
**0-10V DIMMING:** 12-24VDC  
**SIZE:** 2.30in x 1.43in x 0.75in  
 (58.2mm x 36.4mm x 19mm)  
**MOUNTING:** Removable mounting tabs  
**WEIGHT:** 0.45 oz (16g)  
**OPERATING TEMP:** -22°F to +158°F (-30°C to + 70°C)

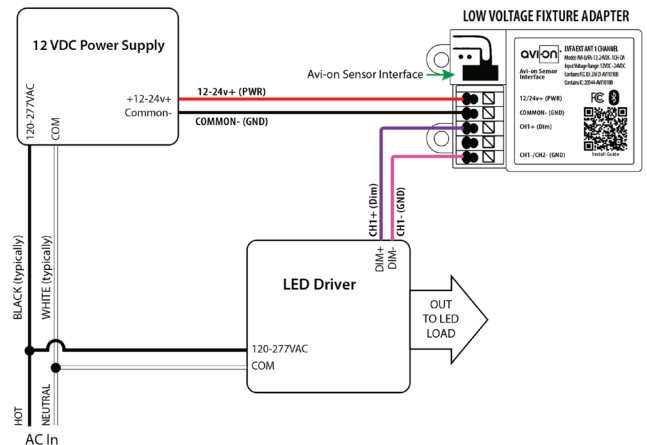
**RADIO FREQUENCY:** 2.4GHz  
**WIRELESS STANDARD:** BLE 4.2 with Mesh  
**POINT TO POINT RANGE\*:** 80ft with obstructions  
 350ft unobstructed  
**SECURITY:** AES 128-bit encryption for device to device communication  
 AES 256-bit encryption for device to cloud communication  
**WARRANTY:** 5 years; 10 years optional  
**REGULATORY:** FCC: 2AFZI-AVI1010 B  
 IC: 20544-AVI1010 B  
 BQB: D031801, DID: 86303  
 UL 916, 2043 (Plenum Rated)

\*When communicating through the mesh, range is essentially unlimited (5000ft+)

**WIRING DIAGRAM**



Fixture adapter powered by LED driver auxiliary output



Fixture adapter connected to LED driver and using power supply