

**DD SERIES DUSK TO DAWN**

Client:  
 Project:  
 Type:  
 Quantity:

**CONSTRUCTION**

Rugged die-cast aluminum housing, internal venting fins create optimal heat dissipation.

**OPTICS**

Close bottom acrylic reflector standard, general distribution for entryway, pathway, yard and loading docks.

Stock version: 5000K

**ELECTRICAL**

70+ CRI Lumileds LED.

-40°C up to 40°C (-40°F up to 104°F) maximum operating temperature.

Long-life 56,000hr LED at L70.

Driver operates at 120-277V input, 50/60Hz.

<20% THD, >0.9 power factor.

Built-in twist lock on/off photocell control included.

Optional 10kV surge protection.

**MOUNTING**

Standard wall mount.

Optional Pole mount arm extension kit (sold separately).

**STANDARD FINISH**

Corrosion resistant Dark Bronze and Silver powder coating finish.

**CUSTOM FINISH**

Corrosion resistant Black, Graphite Metallic, Gray, White, Custom RAL#.

**CERTIFICATION**

IP65 Wet location label standard.

Meets Buy America Act requirements.

All luminaires are built to UL1598 standards and bear appropriate cULus labels.

DLC<sup>®</sup> Premium (DesignLights Consortium Qualified).

**WARRANTY**

5 year warranty, see Limited Warranty for additional information.



Silver Finish

Dark Bronze Finish

with optional arm

**SHIPPING DATA**

Product	Measurement	Weight
DD-45	17" L x 8" W x 6" H	5.5 lb
DD-65	17" L x 8" W x 6" H	5.8 lb
DD-90	17" L x 8" W x 6" H	6 lb



**DD SERIES DUSK TO DAWN**

ORDER INFORMATION					EXAMPLE : DD 45 50 DB U P	
Fixture	Series	Power & LM	CCT	Finish	Input	Control
	<b>DD</b>				<b>U</b>	<b>P</b>
Mounting				Accessories		
				Options		

**A SERIES**

**DD** Dusk to Dawn / Security Light

**B POWER & LM**

Code	Power	LM
45	45W	6,200lm
65	65W	8,800lm
90	90W	12,00lm

**C CCT**

**40** 4000K **50** 5000K

**D FINISH**

Standard						
<b>DB</b>	Dark Bronze		<b>SV</b>	Silver		
Custom Color						
<b>CC</b>	<b>BK</b>	Black	<b>GM</b>	Graphite Metallic	<b>GR</b>	Gray
	<b>WH</b>	White	<b>RAL#</b>			

**E INPUT**

**U-P** 120-277V, Twist lock photocell included

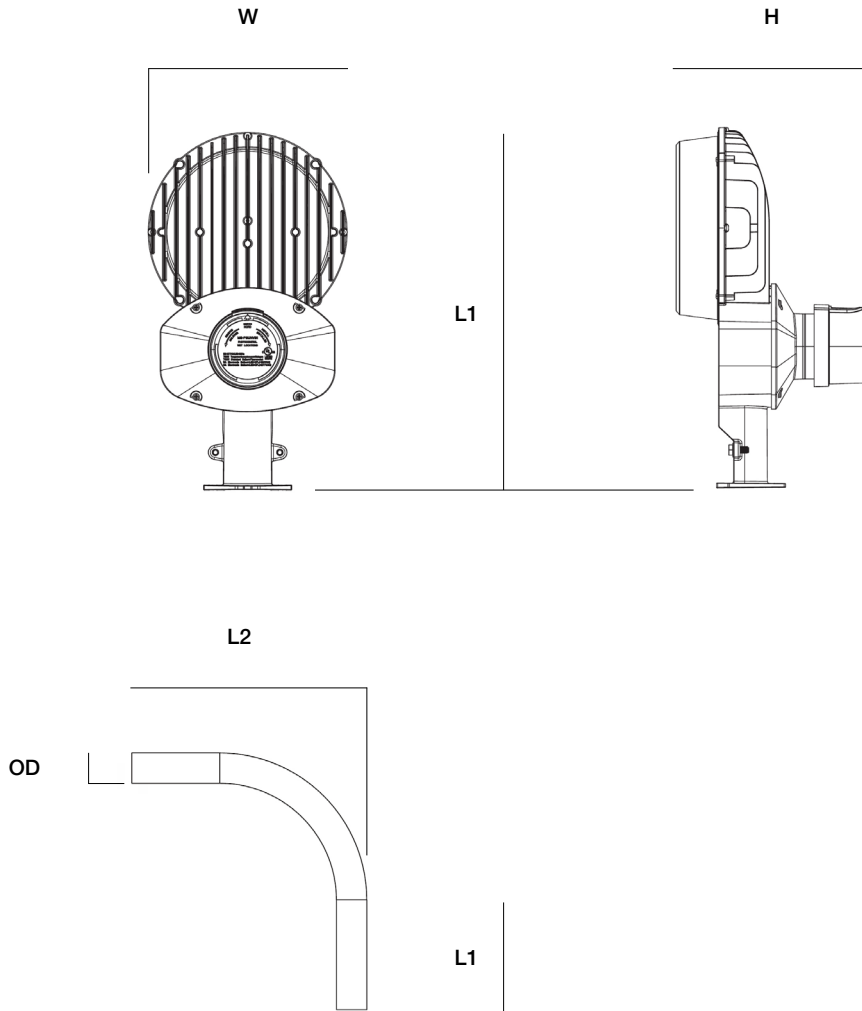
**F ACCESSORIES/OPTIONS**

<b>AIA</b>	Assembled in America, compliant with BAA (COTS)
<b>SURGE-LSP4-U</b>	10kV inline Surge Protection for Universal input / <b>U</b> : 120-277V
<b>MOUNT-DD-ARM</b>	Mounting Arm Kit

**DD SERIES DUSK TO DAWN**

**DIMENSIONS**

Model	L1	L2	W	H	OD
DD-45 - 90	14.20" (361mm)		7.90" (201mm)	7.60" (193mm)	
MOUNT-DD-ARM	5.94" (151mm)	12.71" (323mm)			Ø1.64" (42mm)



**DD SERIES DUSK TO DAWN**

**PERFORMANCE DATA**

SYSTEM WATTS	VOLTAGE	4000K / 5000K (75CRI)		QTY ON PALLET
		LUMENS	LPW	
45W	120-277V	6210	138	80
65W	120-277V	8775	135	80
90W	120-277V	12240	136	80

**DLC CODE**

Part Number	DLC Part Number	DLC Class
DD - 45 40 - DB U P	MDD0545W27V40K[SG,D,B,W][Blank,P0][Blank,A-Z,a-z,0-9] DLC Product ID# P6VO8QVN	Premium
DD - 45 50 - DB U P	MDD0545W27V50K[SG,D,B,W][Blank,P0][Blank,A-Z,a-z,0-9] DLC Product ID# PB3HDCX5	Premium
DD - 90 40 - DB U P	MDD0590W27V40K[SG,D,B,W][Blank,P0][Blank,A-Z,a-z,0-9] DLC Product ID# PL7IS9WY	Premium
DD - 90 50 - DB U P	MDD0590W27V50K[SG,D,B,W][Blank,P0][Blank,A-Z,a-z,0-9] DLC Product ID# P1M0M3MW	Premium