



AL2 SERIES AREA LIGHT

Client:
Project:
Type:
Quantity:

CONSTRUCTION

Rugged die-cast aluminum housing with hinged, die-cast aluminum door.
Low profile, 3G vibration rated compact design minimizes wind load requirements.
Downward opening electrical hinged door completely sealed against moisture and dust.

OPTICS

UV-resistant polycarbonate optics, available in Type II, III, IV, V distributions.
Full cutoff when mounted with 0 degrees tilt with adjustable mounting.
Optics is precisely designed to shape the distribution, maximizing efficiency and application spacing.

ELECTRICAL

80+ CRI Lumileds LED.
-40°C up to 50°C (-40°F up to 122°F) maximum operating temperature.
Long-life 120,000 hr LED at L70 @ 25°C.
Driver operates at 120-277V input, 0-10V dimmable driver, down to 10%.
50/60Hz, <11% THD, 0.9 power factor.
Optional 347/480V input. Optional 10kV surge protection.

SENSORS (OPTIONAL)

SENSOR-BLE-619 Integral PIR ALS Control bluetooth/on/off/dimming/photosensing.
SENSOR-823 Integral PIR on/off/dimming/photosensing.
SENSOR-820 Integral PIR on/off/dimming/photosensing.
SENSOR-PH-PB-U Integral button style photocell.
SENSOR-PH-PT-U/UD/HD Twist lock dimming/non-dimming photocontrol.
CONTROL-AVI-LVFA AVI-ON Bluetooth Mesh Controller.

MOUNTING

Adjustable pole mount bracket suitable for round (RL) or square (SL) pole.
Optional adjustable slipfitter for 2-3/8" tenon.
Optional adjustable wall mount (WM) bracket.

STANDARD FINISH

Corrosion resistant Dark Bronze powder coating finish.

CUSTOM FINISH

Corrosion resistant Black, Graphite Metallic, Gray, Silver, White, Custom RAL#.

CERTIFICATION

IP65 Wet location label standard.
Meets Buy America Act requirements.
IDA compliant: with 3000K color temperature selection.
Title 24 compliant; see local ordinance for qualification information.
All luminaires are built to UL1598 standards and bear appropriate cETLus labels.
Electrical Driver and luminaire compliant with CE standard.
DLC® Premium (DesignLights Consortium Qualified).

WARRANTY

5 year warranty, see Limited Warranty for additional information.



300W w/Slipfitter Mount



100W / 150W / 200W w/Slipfitter Mount

SHIPPING DATA

Product	Measurement	Weight
AL2-100/150/200	19"L x 16"W x 5"H	15 lb
AL2-300	29"L x 16"W x 5"H	25 lb



AL2 SERIES AREA LIGHT

ORDER INFORMATION **EXAMPLE : AL2 100 40 T3 DB UNVD**

Fixture	Series	Power & LM	CCT	Distribution	Finish	Input
	AL2					

A SERIES

AL2	Area Light
------------	------------

B POWER & LM* *Wattage / Lumen output dialable per request - consult factory

Code	Power	LM	Code	Power	LM
100*	100W	13400lm	200*	200W	27400lm
150*	150W	20400lm	300*	300W	40800lm

C CCT

30	3000K	50	5000K
40	4000K		

D DISTRIBUTION

T2	Type II	T4	Type IV
T3	Type III	T5	Type V

E FINISH

Standard						
DB	Dark Bronze					
Custom Color						
CC	BK	Black	GM	Graphite Metallic	GR	Gray
	SV	Silver	WH	White	RAL#	

F INPUT

UNVD	120-277V, 1-10V Dimmable	HVL	347V, 480V
-------------	--------------------------	------------	------------

AL2 SERIES AREA LIGHT

ORDER INFORMATION (CONTINUED)

Mounting

**Accessories
Options**

G MOUNTING

MOUNT-P-SF	Slipfitter	MOUNT-P-RL	Round Pole-L
MOUNT-P-SL	Square Pole-L	MOUNT-P-RS	Round Pole-S
MOUNT-P-SS	Square Pole-S	MOUNT-P-WM	Wall Mount

H ACCESSORIES/OPTIONS

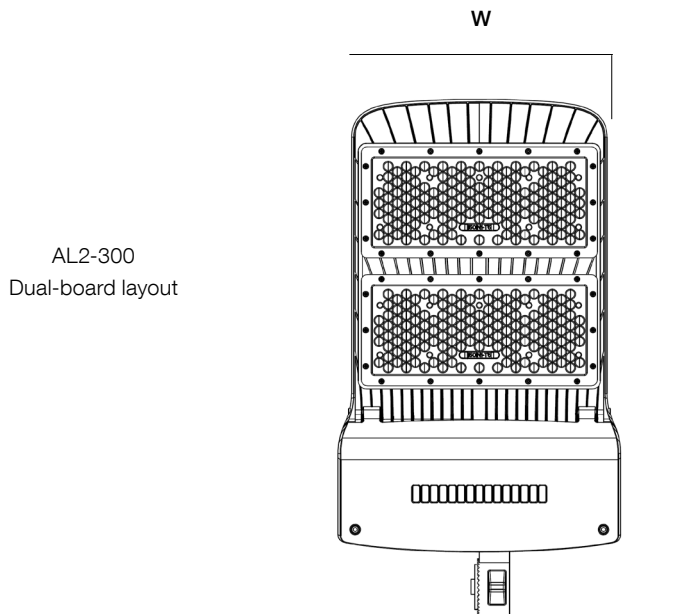
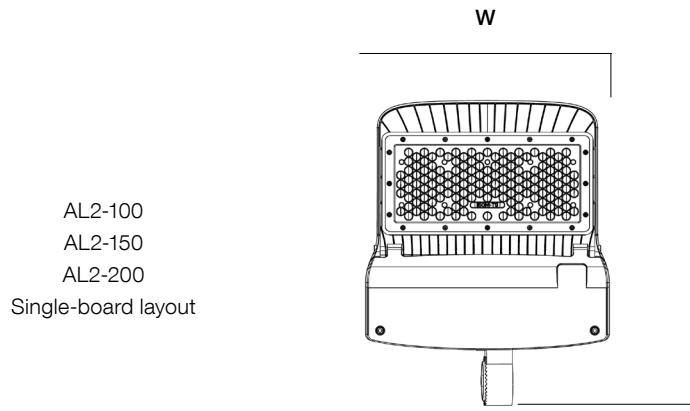
AIA	Assembled in America, compliant with BAA (COTS)
SENSOR-BLE-619-L3 / L4*	Integral PIR Bluetooth Daylight Sensor (ALS Control Mobile App) / L3: up to 40FT, L4: up to 8FT
SENSOR-PH-PB-U*	Button Style Photocell
SENSOR-PH-PT-U / UD / HD*	Twist Lock Photocell / U: 120-277V, UD: 120-277V, HD: 480V input
SENSOR-823-L3 / L4*	Integral PIR on/off/dimming/photosensing / L3: up to 40FT, L4: up to 8FT
SENSOR-820*	Integral PIR on/off/dimming/photosensing
REMOTE-RC100	Handheld Remote Commissioning Tool for SENSOR-ANT, 823, 820 Series
SURGE-LSP4-U / H	10kV inline Surge Protection for Universal input / U: 120-277V, H: 480V input
CONTROL-AVI-LVFA*	AVI-ON Bluetooth Mesh Control System

*see page 7 for sensor spec

AL2 SERIES AREA LIGHT

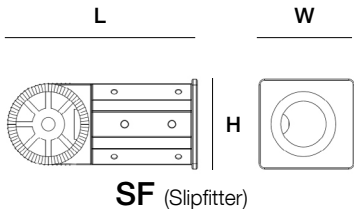
DIMENSIONS

Model	L	W	H
AL2-100 / 150 / 200	18.31" (465mm)	14.80" (376mm)	2.38" (60mm)
AL2-300	27.17" (690mm)	14.80" (376mm)	2.38" (60mm)

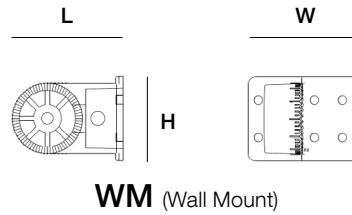


AL2 SERIES AREA LIGHT

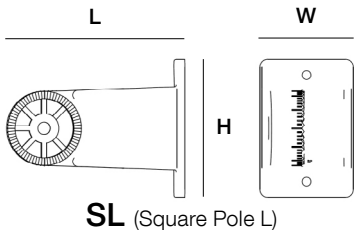
MOUNTING OPTIONS



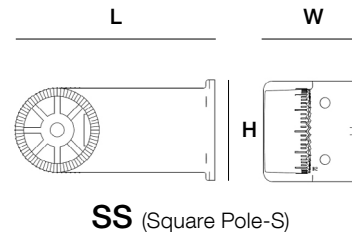
L: 6.93" (176mm)
 W: 3.46" (88mm)
 H: 3.81" (97mm)



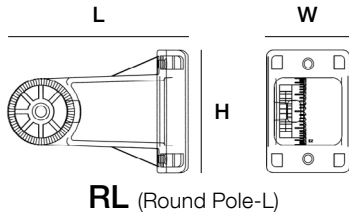
L: 4.69" (119mm)
 W: 4.82" (123mm)
 H: 3.54" (90mm)



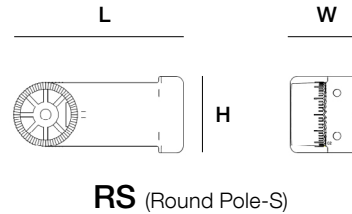
L: 7.13" (181mm)
 W: 3.74" (95mm)
 H: 5.51" (140mm)



L: 7.05" (179mm)
 W: 3.64" (93mm)
 H: 3.54" (90mm)

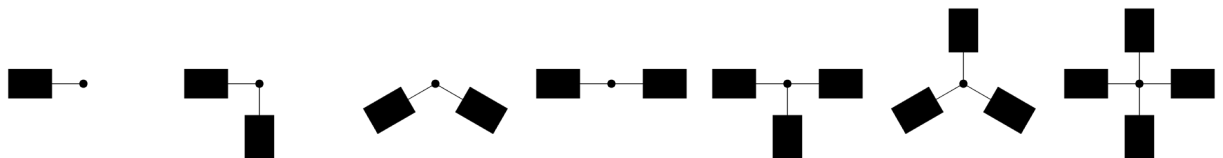


L: 8.09" (206mm)
 W: 3.74" (95mm)
 H: 5.51" (140mm)



L: 7.88" (200mm)
 W: 3.64" (93mm)
 H: 3.54" (90mm)

EPA (ft²)



Mounting Option	Single	2 @ 90°	2 @ 120°	2 @ 180°	3 @ 90°	3 @ 120°	4 @ 90°
100/150/200	0.225	0.390	0.526	0.450	0.675	0.692	0.675
300	0.380	0.660	0.888	0.760	1.140	1.169	1.140

AL2 SERIES AREA LIGHT

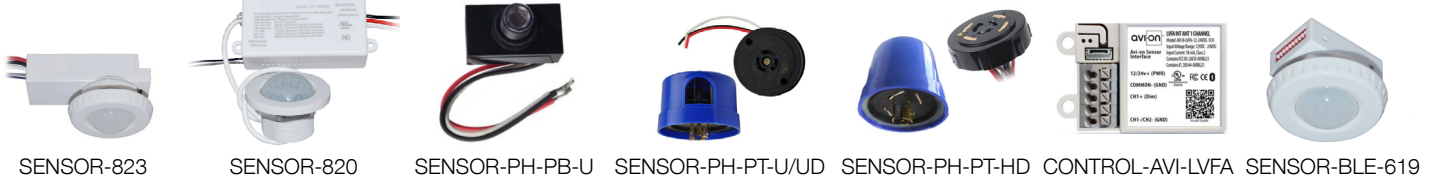
PERFORMANCE DATA

SYSTEM WATTS	VOLTAGE	DIST.TYPE	4000K		5000K	
			LUMENS	LPW	LUMENS	LPW
100W	120-277V	III	13200	132	13500	135
	120-277V	IV	13300	133	13600	136
	120-277V	V	13400	134	13700	137
150W	120-277V	III	19650	131	20100	134
	120-277V	IV	19800	132	20250	135
	120-277V	V	19950	133	20400	136
200W	120-277V	III	26400	132	27000	135
	120-277V	IV	26600	133	27200	136
	120-277V	V	26800	134	27400	137
300W	120-277V	III	39300	131	40200	134
	120-277V	IV	39600	132	40500	135
	120-277V	V	39900	133	40800	136

AL2 SERIES AREA LIGHT

SENSOR SPEC

Model	Type	Mounting	Coverage	Input	Function	Programmable
SENSOR-823	PIR	L3 - 40FT L4 - 8FT	30FT radius 24FT radius	Universal	On/Off/Dimming	REMOTE-RC100
SENSOR-820	PIR	up to 40FT	30FT radius	100 ~ 480V	On/Off/Dimming Daylight Harvesting	REMOTE-RC100
SENSOR-PH-PB-U	-	-	-	Universal	Dusk-to-Dawn Control	-
SENSOR-PH-PT-U SENSOR-PH-PT-UD SENSOR-PH-PT-HD	-	-	-	Universal 277 ~ 480V	Dusk-to-Dawn Control	-
CONTROL-AVI-LVFA (see page 8 for detail)	Fixture Controller	-	-	12V DC	Bluetooth Mesh On/Off/Dimming Scheduling	AVI-ON Bluetooth Mobile App
SENSOR-BLE-619 (see page 9 for detail)	PIR	L3 - 40FT L4 - 8FT	30FT radius 24FT radius	12V DC	Bluetooth Mesh On/Off Daylight	ALS Control Bluetooth Mobile App



AL2 SERIES AREA LIGHT

CONTROL-AVI-LVFA SPEC

Status LEDs & Config Button

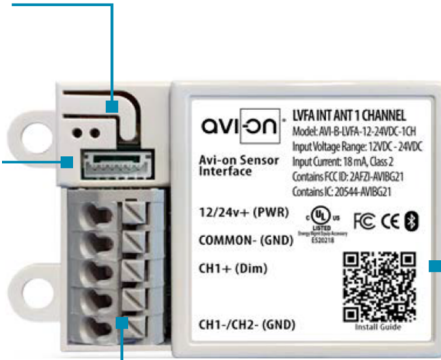
Quick and easy validation of wiring and network

Direct Connect™ Sensor Port

Simple and cost-effective addition to Avi-on sensors

Terminal Blocks & Mounting Tabs

Faster, easier and lower cost installation eliminating connectors



Internal Antenna

Improved performance and eliminates risk of accidentally cutting a hanging wire

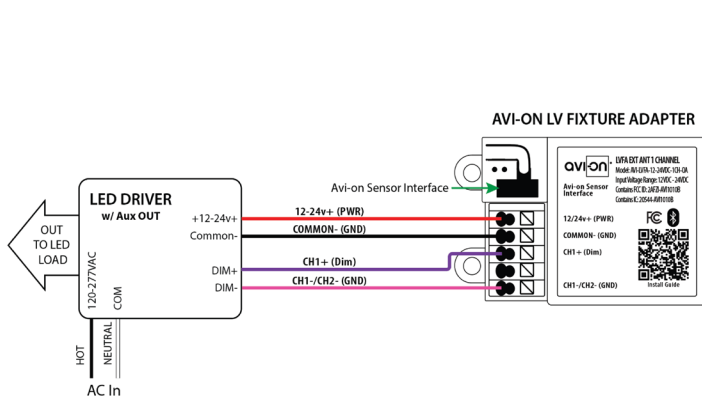
SPECIFICATIONS

INPUT VOLTAGE: 12-24VDC
CURRENT: 15mA without a Sensor
 19mA with a DC PIR Sensor
 48mA with a DC Microwave Sensor
0-10V DIMMING: 12-24VDC
SIZE: 2.30in x 1.43in x 0.75in
 (58.2mm x 36.4mm x 19mm)
MOUNTING: Removable mounting tabs
WEIGHT: 0.45 oz (16g)
OPERATING TEMP: -22°F to +158°F (-30°C to + 70°C)

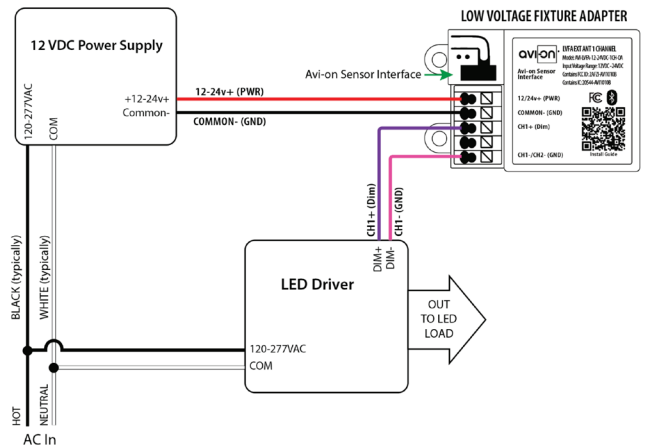
RADIO FREQUENCY: 2.4GHz
WIRELESS STANDARD: BLE 4.2 with Mesh
POINT TO POINT RANGE*: 80ft with obstructions
 350ft unobstructed
SECURITY: AES 128-bit encryption for device to device communication
 AES 256-bit encryption for device to cloud communication
WARRANTY: 5 years; 10 years optional
REGULATORY: FCC: 2AFZI-AVI1010 B
 IC: 20544-AVI1010 B
 BQB: D031801, DID: 86303
 UL 916, 2043 (Plenum Rated)

*When communicating through the mesh, range is essentially unlimited (5000ft+)

WIRING DIAGRAM



Fixture adapter powered by LED driver auxiliary output



Fixture adapter connected to LED driver and using power supply

FEATURE

- **Installation:** Factory Install - Sensor integral to fixture, lens external
- **Commissioning:** Wirelessly through ALS Control Mobile App (iOS / Android)
- **Certification:** DLC 5.1 Networked Lighting Control System
- **Control:** Hold time, High-Low setting, continuous Bi-level dimming, manual/auto - on/off
- **Sensor:** Motion (Occupancy/Vacancy/Manual) and Daylight
- **Zone Control:** Zoning and Grouping control, Scheduling

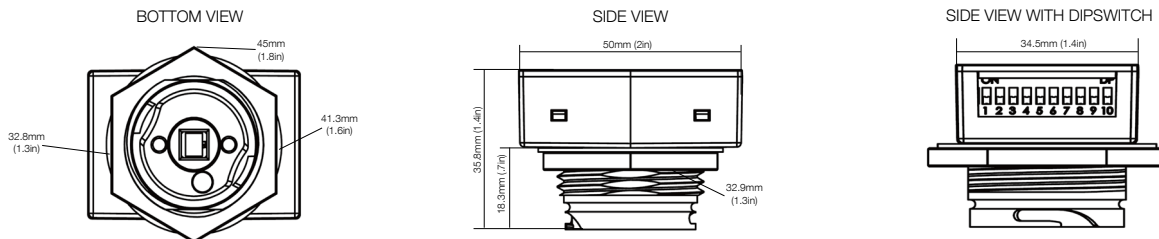


SPECIFICATIONS

SENSOR TYPE: Passive Infrared Sensor (PIR)
WIRELESS STANDARDS: Bluetooth SIG Mesh
INPUT VOLTAGE: 12-24VDC, >50mA
CONTROL OUTPUT: 0-10V
OPERATING TEMP: -40°F ~ +158°F (-40°C ~ +70°C)

COMMISSIONING RANGE: 50FT
BLUETOOTH RANGE: Integral antenna up to 100FT
DETECTION ANGLE: Vertical 90° x Horizontal 360°
MOUNTING HEIGHT: 8 - 40FT
WARRANTY: 5 years
IP RATING: IP65

DIMENSIONS



COVERAGE PATTERNS

