

CONTRACTOR SERIES WET LOCATION BAY LIGHT

Client:
 Project:
 Type:
 Quantity:

CONSTRUCTION

Die-cast aluminum housing, maximizes heat dissipation and life expectancy of the luminaire.

IP65 rated protection against dust and water.

IK07 rated protected against 2 joules, akin to a 0.5 kg mass dropped from 400 mm above impacted surface.

Suitable for interior/exterior, wet, high pressure washdown applications.

OPTICS

Standard clear polycarbonate lens protects LEDs against solid and liquid impact, symmetric LED board layout offers maximum uniformity illumination.

ELECTRICAL

70 CRI Lumileds LED.

-40°C up to 55°C (-40°F up to 131°F) maximum operating temperature.

Long-life 100,000 hr LED at L70 @ Ta=25°C.

Available with CCT / Output selectable function.

Universal Input 100-280V, 0-10V dimming, with 12V AUX output, 50/60Hz, <15% THD, 0.9 power factor.

Optional dimming sensor for occupancy and ambient light level detection.

SENSORS (OPTIONAL)

SENSOR-ANT-6-4T Plug-N-Play PIR on/off/dimming/photosensing.

SENSOR-BLE-6-4T Integral PIR ALS Control bluetooth/on/off/dimming/photosensing.

MOUNTING

Standard Ring Adapter hook w/Safety Cable included.

Standard with 600 mm (2FT) long safety cable.

STANDARD FINISH

Corrosion resistant Black finish.

CERTIFICATION

IP65 Wet location label standard. IK08 Rated.

All luminaires are built to UL1598 standards and bear appropriate cULus labels.

For Emergency application, equipment with UL924 certified battery packs.

DLC® Premium (DesignLights Consortium Qualified)

WARRANTY

5 year warranty, see Limited Warranty for additional information.



w/Plug-in Sensor Socket

SHIPPING DATA

Product	Measurement	Weight
CSB-150	13"L x 13"W x 6"H	6 lb
CSB-240	15"L x 15"W x 6"H	7 lb



CONTRACTOR SERIES WET LOCATION BAY LIGHT

ORDER INFORMATION **EXAMPLE : CSB 150 MC BK UD**

Fixture	Series	Power & LM	CCT	Finish	Input
	CSB		MC	BK	UD

Accessories
Options

A SERIES

CSB Contractor Series Wet Location Bay Light

B POWER & LM

Code	Power	LM
150	Field Selectable 80 / 100 / 150W	12,800 / 16,000 / 24,000
240	Field Selectable 150 / 200 / 240W	24,000 / 32,000 / 38,400

C CCT

MC Field Selectable 4000 / 5000K

D FINISH

BK Black

E INPUT

UD 120-277V, 0-10V Dimmable w/12V AUX Socket

F ACCESSORIES/OPTIONS

SENSOR-ANT-6-4T*	Integral PIR on/off/dimming/photosensing
SENSOR-ANT-6-4T-EM*	Integral PIR on/off/dimming/photosensing with EMB
SENSOR-BLE-6-4T*	“Plug-N-Play” Integral Bluetooth Daylight Harvesting Sensor (ALS Control Mobile App)
REMOTE-RC100	Handheld Remote Commissioning Tool for SENSOR-ANT (1 per job)
EMB-25W**	External 25W Vertical-Hang Emergency Battery for 100W or below setting
EMB-40W**	External 40W Vertical-Hang Emergency Battery for 250W or below setting
-CORD	18-3 300V 6 Foot Cord
-PLUG	6 Foot Cord and 3 Prong Plug
TWIST-LOCK	Specify Plug Type: L515P / L715P / HBL5929 / L8-20P

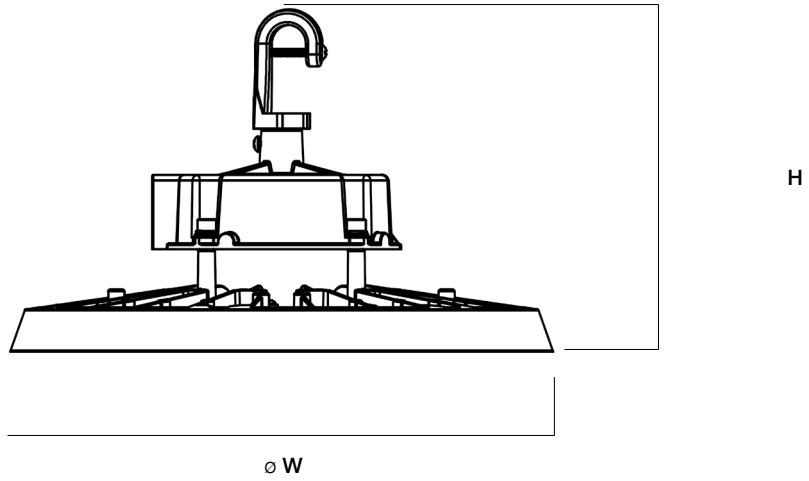
*see page 7 for sensor spec

**see page 5 for EMB spec

CONTRACTOR SERIES WET LOCATION BAY LIGHT

DIMENSIONS

Model	H	W
CSB-150	7.00" (178mm)	ø 11.42" (290mm)
CSB-240	7.17" (182mm)	ø 13.78" (350mm)



CONTRACTOR SERIES WET LOCATION BAY LIGHT

PERFORMANCE

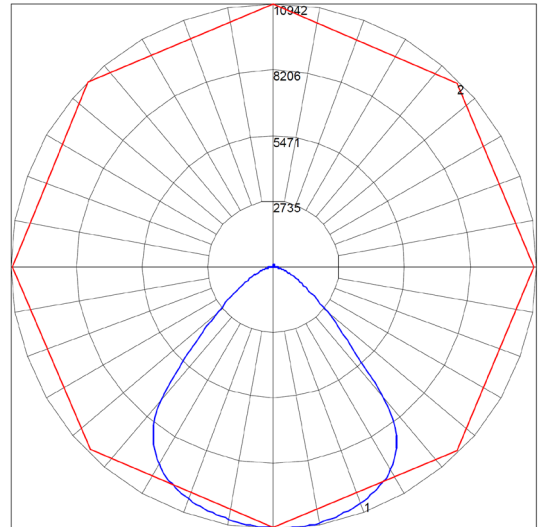
CSB-150MC

Zone	Lumen	Luminaire%
0-30	8656	41.10
0-40	14026	66.50
0-60	19583	92.90
0-90	20893	99.10
0-180	21080	100

Lumen: 21080
 Input Watts: 145.38 W
 Efficacy: 145 LPW

Maximum Candela = 10941.95 Located At Horizontal Angle = 90, Vertical Angle = 3
 # 1 - Vertical Plane Through Horizontal Angles (90 - 270) (Through Max. Cd.)
 # 2 - Horizontal Cone Through Vertical Angle (3) (Through Max. Cd.)

IES: CSB-150MC @ 150W 4000K



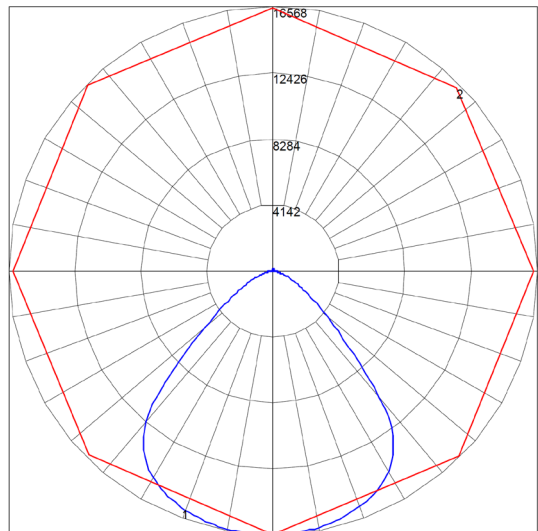
CSB-240MC

Zone	Lumen	Luminaire%
0-30	13177	40.00
0-40	21540	65.40
0-60	30547	92.80
0-90	32617	99.10
0-180	32921	100

Lumen: 32921
 Input Watts: 251.30 W
 Efficacy: 131 LPW

Maximum Candela = 16568.18 Located At Horizontal Angle = 270, Vertical Angle = 2
 # 1 - Vertical Plane Through Horizontal Angles (270 - 90) (Through Max. Cd.)
 # 2 - Horizontal Cone Through Vertical Angle (2) (Through Max. Cd.)

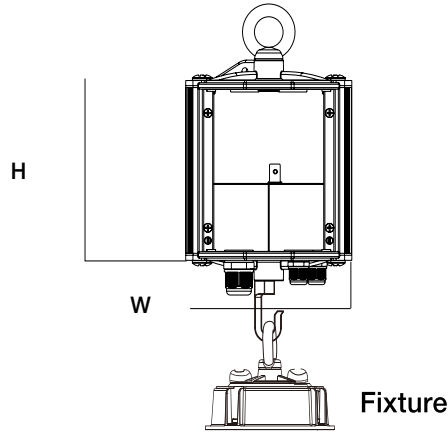
IES: CSB-240MC @ 240W 4000K



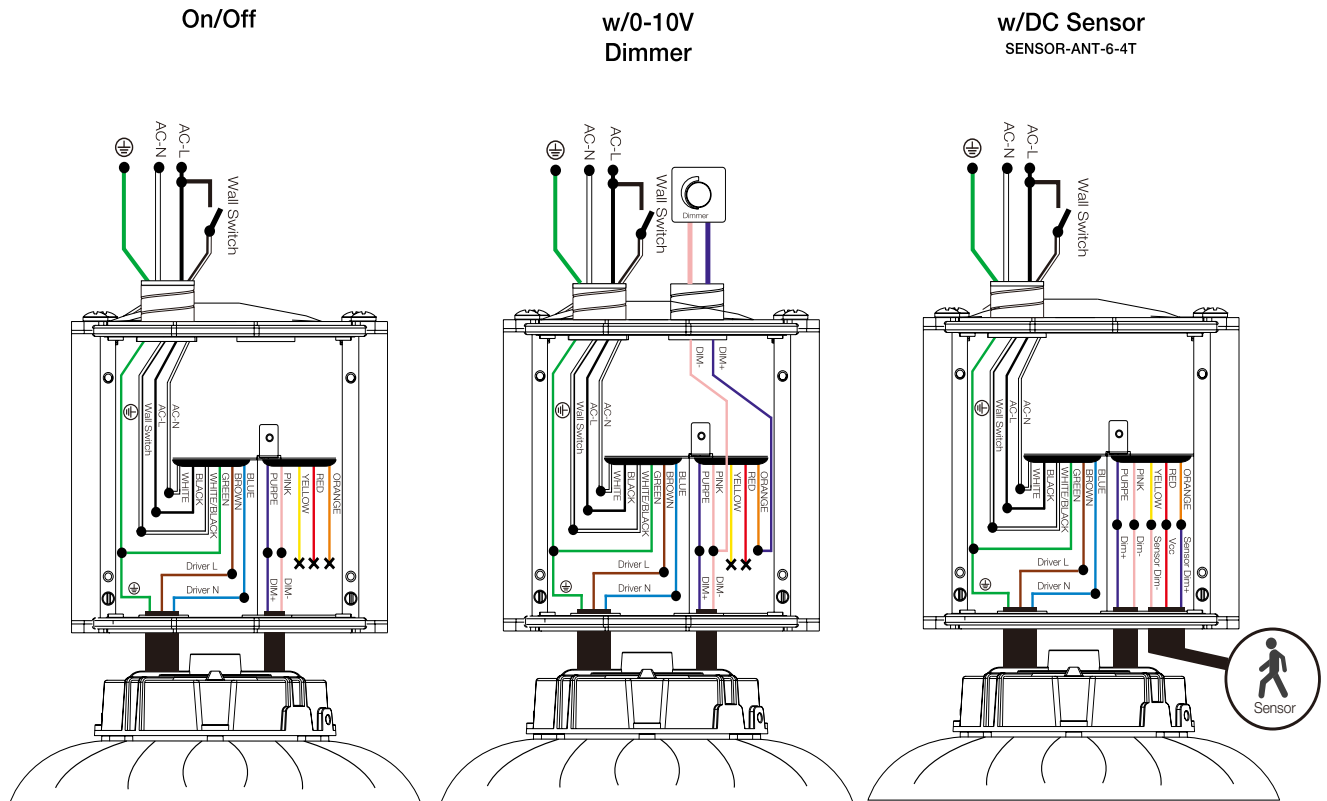
CONTRACTOR SERIES WET LOCATION BAY LIGHT

EMERGENCY BATTERY

Model	H	W	Compatible
EMB-25W	6.80" (173mm)	ø 5.47" (139mm)	100W
EMB-40W	6.80" (173mm)	ø 5.47" (139mm)	250W and below



EMERGENCY BATTERY DIAGRAM



CONTRACTOR SERIES WET LOCATION BAY LIGHT

SENSOR SPEC

Model	Type	Mounting	Coverage	Input	Function	Programmable
SENSOR-ANT-6-4T SENSOR-ANT-6-4T-EM	PIR	up to 40FT	30FT radius	12V DC	On/Off/Dimming	REMOTE-RC100
SENSOR-BLE-6-4T (see page 7 for detail)	PIR	up to 40FT	30FT radius	12V DC	Bluetooth Mesh On/Off/Dimming Daylight Harvesting	ALS Control Bluetooth Mobile App



SENSOR-ANT-6-4T
 SENSOR-ANT-6-4T-EM
 SENSOR-BLE-6-4T

FEATURE

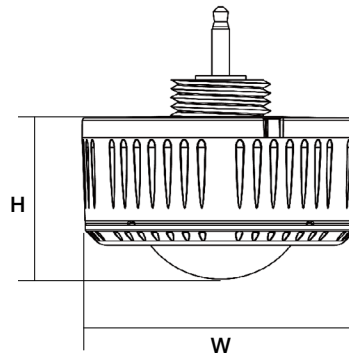
- **Installation:** Plug-N-Play via AUX socket on attached fixture
- **Commissioning:** Wirelessly through ALS Control Mobile App (iOS / Android)
- **Certification:** DLC 5.1 Networked Lighting Control System
- **Control:** Hold time, High-Low setting, continuous Bi-level dimming, Code-compliant manual-on or auto-off capability
- **Sensor:** Motion (Occupancy/Vacancy/Manual) and Daylight Harvesting
- **Room and Zone Control:** Zoning and Grouping control, Scheduling



SPECIFICATIONS

SENSOR TYPE:	Passive Infrared Sensor (PIR)
WIRELESS STANDARDS:	5.0 Bluetooth Mesh
INPUT VOLTAGE:	12-24VDC, >50mA
CONTROL OUTPUT:	0-10V
OPERATING TEMP:	-4°F ~ +140°F (-20°C ~ +60°C)
COMMISSIONING RANGE:	50FT
BLUETOOTH RANGE:	164FT
DETECTION ANGLE:	360°
MOUNTING HEIGHT:	Up to 40FT
WARRANTY:	5 years
IP RATING:	IP65

DIMENSIONS



H	W
1.03" (26.2mm)	2.17" (55mm)

COVERAGE PATTERNS

