



CONTRACTOR SERIES AREA LIGHT

Client:
Project:
Type:
Quantity:

CONSTRUCTION

Rugged die-cast aluminum housing with hinged, die-cast aluminum door.
Low-profile housing with enhanced thermal heat sink.

OPTICS

UV-resistant polycarbonate optics, available in Type III, V distributions.
Optics is precisely designed to shape the distribution, maximizing efficiency and application spacing.

ELECTRICAL

70+ CRI Lumileds LED.
-20°C up to 45°C (-4°F up to 113°F) maximum operating temperature.
Long-life 50,000 hr LED at L70 @ 25°C.
Driver operates at 120-277V input, 0-10V dimmable driver, down to 10%.
50/60Hz, <75% THD, 0.9 power factor.
Optional 480V input Driver

MOUNTING

Adjustable square / round pole mount bracket (SR).
Optional adjustable slipfitter (SF) for 2-3/8" tenon.
Optional trunnion mount bracket (TR) for surface mount.

STANDARD FINISH

Dark Bronze powder coating finish.

CERTIFICATION

IP65 Wet location label standard.
Title 24 compliant; see local ordinance for qualification information.
All luminaires are built to UL1598 standards and bear appropriate cULus labels.
DLC® Premium (DesignLights Consortium Qualified).

WARRANTY

5 year warranty, see Limited Warranty for additional information.



300W w/Slipfitter Mount



150W w/Slipfitter Mount

SHIPPING DATA

Product	Measurement	Weight
CSA-150	18"L x 14"W x 4"H	11 lb
CSA-300	25"L x 14"W x 4"H	18 lb



CONTRACTOR SERIES AREA LIGHT

ORDER INFORMATION				EXAMPLE: CSA 150 50 T3 DB UD		
Fixture	Series	Power & LM	CCT	Distribution	Finish	Input
	CSA		50		DB	UD
Mounting						

A SERIES

CSA Contractor Select - Area Light

B POWER & LM

Code	Power	LM
150	150W	19,500lm
300	300W	39,000lm

C CCT

50 5000K

D DISTRIBUTION

T3	Type III
T5	Type V

E FINISH

DB Dark Bronze

F INPUT

UD 120-277V, 0-10V Dimming

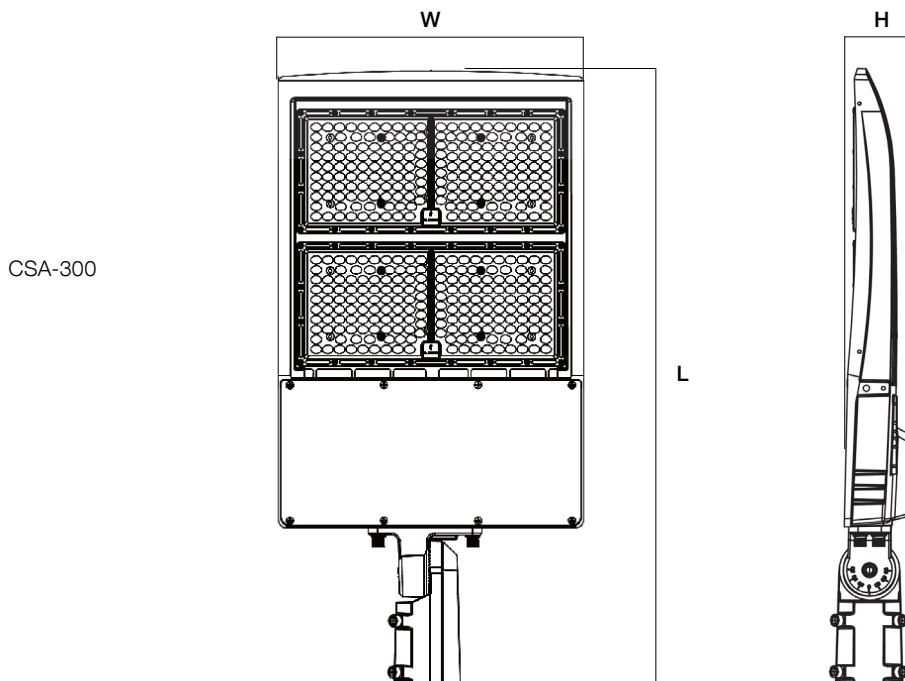
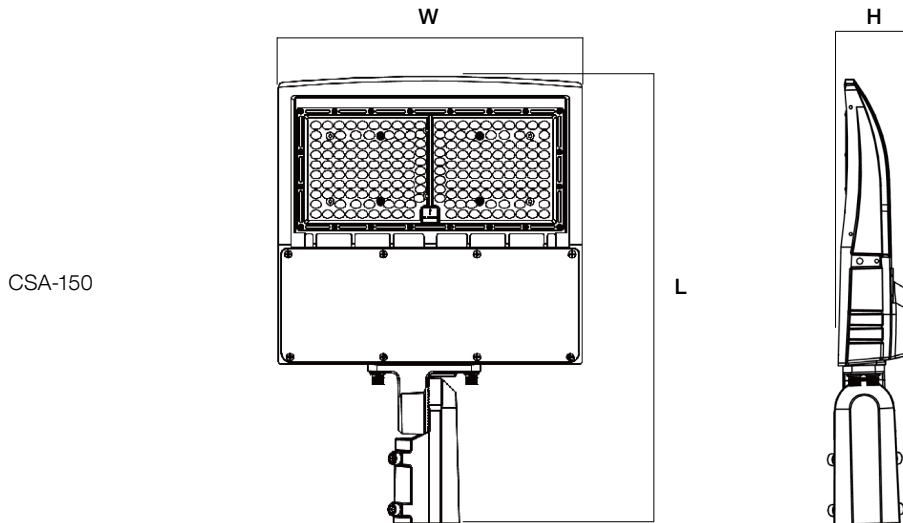
G MOUNTING

CSA-SF-DB	Slipfitter Bracket for 2-3/8" Tenon
CSA-SR-DB	Square and Round Pole Bracket

CONTRACTOR SERIES AREA LIGHT


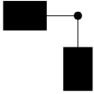


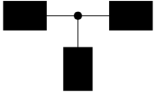
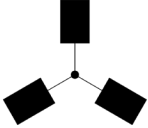
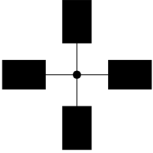
DIMENSIONS

Model	L	W	H
CSA-150	19.56" (395mm)	13.30" (338mm)	3.19" (81mm)
CSA-300	26.05" (662mm)	13.30" (338mm)	3.19" (81mm)



CONTRACTOR SERIES AREA LIGHT

EPA (ft²)

							
Mounting Option	Single	2 @ 90°	2 @ 120°	2 @ 180°	3 @ 90°	3 @ 120°	4 @ 90°
150W	0.282	0.490	0.732	0.626	0.866	0.963	0.866
300W	0.325	0.565	0.760	0.650	0.899	1.000	0.899