

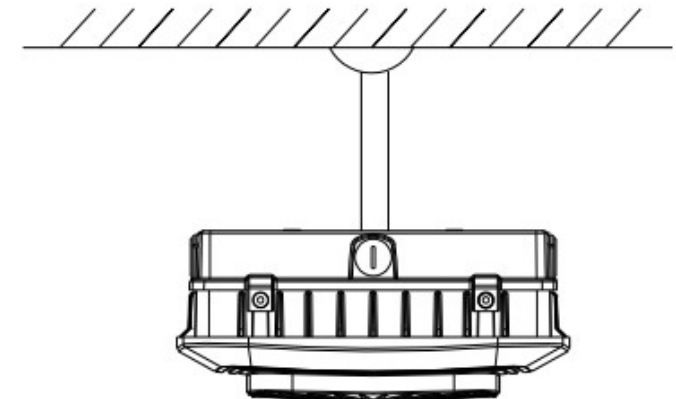
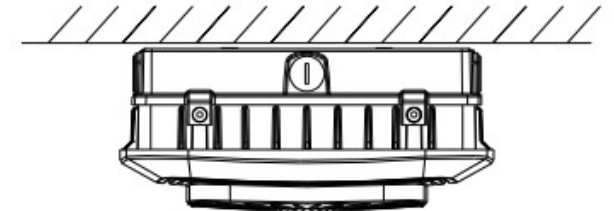
Parking Garage LED Canopy Light

Instruction Manual



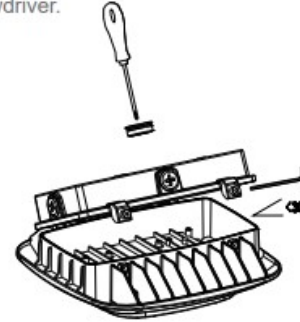
I. Application : Parking Garage/Gas Station/Multi-Level Parking

II . Installation (2 choices-Surface/Pendant)

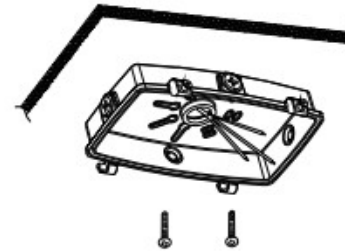


(1) Surface Mount

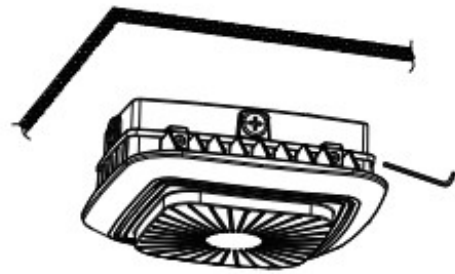
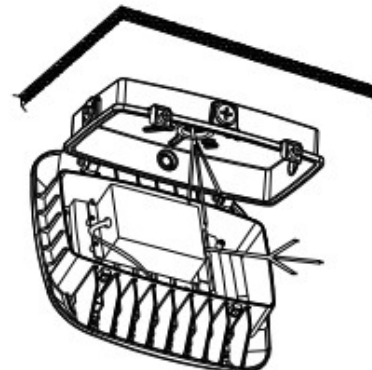
1. Open driver box, separate the back part (driver box cover) from the front part (lamp body) , loose 3/4 inch plug on the driver box cover with a screwdriver.



2. Get supply cord through the 3/4 inch hole, then attach driver box cover to ceiling and fix it with customer supplied hardware ,take relevant waterproof measures to make sure no water leakage.

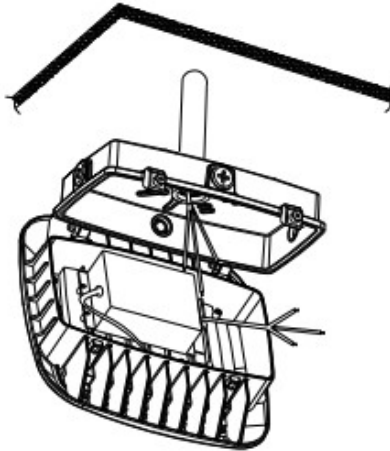


3. Hang the lamp to the driver box cover ,then let it fall naturally , connect the cord to the supply wiring . Set the dimming motion sensor if there is one.

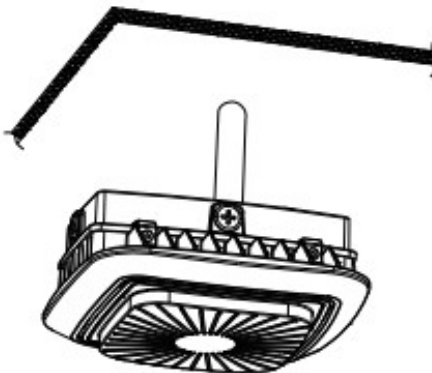


Close the fixture and fix the two parts with Allen Wrench

(2) Pendant Mount



Feed power cord thru customer supplied pendant kit, then attach driver box cover to pendant kit, tighten and locks securely



Close the fixture and fix the two parts with Allen Wrench