

ILxA-MC SERIES SELECTABLE LINEAR STRIP

Client:
 Project:
 Type:
 Quantity:

CONSTRUCTION

4-Foot compact design channel formed from cold-rolled 22-gauge steel with matte White finish. 1/2" knockout made on end cap for sensor or surface conduit mount.

OPTICS

End-to-end U-shaped frosted polycarbonate (PC) lens standard.

ELECTRICAL

Delivered 130lm/W efficacy LEDs offer 80+ color rendering index (CRI), L70 >100,000 hours expected life.

-40°C up to 50°C (-40°F up to 122°F) maximum operating temperature.

Selectable lumen and CCT technology allows easy field-adjustable capability.

Luminaire ships with maximum output and 4000K CCT setting.

Driver operates at 120-277V input, 0-10V dimmable driver, dimmable down to 10%.



SENSORS (OPTIONAL)

SENSOR-819-O1 End mount on/off motion sensor with lowbay lens.

SENSOR-819-D1 End mount on/off/dimming and photocell sensor with lowbay lens.

SENSOR-BLE-819 End mount ALS CONTROL bluetooth on/off motion sensor lowbay lens.

SENSOR-BLE-7 Integral Microwave Bluetooth Wireless Motion/on/off/dimming/ photosensing.

SENSOR-ANT-3C-B1 Integral Microwave Motion/on/off/dimming/photosensing.

CONTROL-LVFA AVI-ON Bluetooth Mesh Controller.

MOUNTING

Designed for direct wire or as a portable luminaire with use of power cord.*

Surface mountable underneath electrical box (5" OD beauty ring included).

STANDARD FINISH

Corrosion resistant semi-gloss White finish, suitable for damp location.

CUSTOM FINISH

Anti-Microbial White finish.

CERTIFICATION

Damp location label standard.

Meets Buy America Act requirements.

All luminaires are built to UL1598 standards and bear appropriate cULus labels.

For Emergency application, equipment with UL924 certified battery packs.

DLC® Standard (DesignLights Consortium Qualified).

WARRANTY

5 year warranty, see Limited Warranty for additional information.

SHIPPING DATA

| Product | Measurement | Weight |
|---------|------------------|--------|
| IL2A-MC | 24"L x 3"W x 3"H | 3 lb |
| IL4A-MC | 48"L x 3"W x 3"H | 5 lb |
| IL8A-MC | 96"L x 3"W x 3"H | 10 lb |



ILxA-MC SERIES SELECTABLE LINEAR STRIP

ORDER INFORMATION **EXAMPLE: IL 4A-MC WH UD**

| Fixture | Series | Size | Finish | Input |
|---------|-----------|--------------|-----------|-----------|
| | IL | 4A-MC | WH | UD |

Accessories
Options

A SERIES

| | |
|-----------|---------------|
| IL | Linear Strips |
|-----------|---------------|

B SIZE

| Code | Size | Power | CCT |
|--------------|--------|-----------------|-----------------------|
| 2A-MC | 2-Foot | 15W / 20W / 25W | 3500K / 4000K / 5000K |
| 4A-MC | 4-Foot | 25W / 30W / 40W | 3500K / 4000K / 5000K |
| 8A-MC | 8-Foot | 65W / 75W / 90W | 3500K / 4000K / 5000K |

C FINISH

| | | | |
|-----------|-------|------------|----------------------|
| WH | White | AMP | Anti-Microbial White |
|-----------|-------|------------|----------------------|

D INPUT

| | | | |
|-----------|--------------------------|-----------|--------------------------|
| UD | 120-277V, 0-10V Dimmable | MD | 120-347V, 0-10V Dimmable |
|-----------|--------------------------|-----------|--------------------------|

E ACCESSORIES/OPTIONS

| | |
|---------------------------|--|
| AIA | Assembled in America, compliant with BAA (COTS) |
| MOUNT-HIGHBAY-CK | Aircraft Cable Hanger Kit (Pair) |
| EMB-8W-B** | 8W Emergency Battery 170VDC Forward Voltage |
| SENSOR-819-O1* | End mount on/off motion sensor with lowbay lens |
| SENSOR-819-D1* | End mount on/off/dimming and photocell sensor with lowbay lens |
| SENSOR-BLE-819-L1* | End Mount PIR Bluetooth Daylight Harvesting Sensor (ALS Control Mobile App) / L1 : up to 20FT |
| SENSOR-BLE-7* | Integral Microwave Bluetooth Wireless Bi-Level Motion Sensor (ALS Control Mobile App) |
| SENSOR-ANT-3C-B1* | Integral Microwave Bi-Level Motion Sensor |
| CONTROL-LVFA* | AVI-ON Bluetooth Mesh Control System |
| SURGE-LSP4-U | 10kV inline Surge Protection for Universal input |
| REMOTE-RC100 | Handheld Remote Commissioning Tool for SENSOR-819-D1/D2 Only, ANT Series |
| WIREGUARD-ILA4A-MC | 4ft Wire Guard IL4A-MC (1:1) IL8A-MC (2:1) |
| -CORD | 18-3 300V 6 Foot Cord |
| -PLUG | 18-3 300V 6 Foot and 3 Prong Plug |

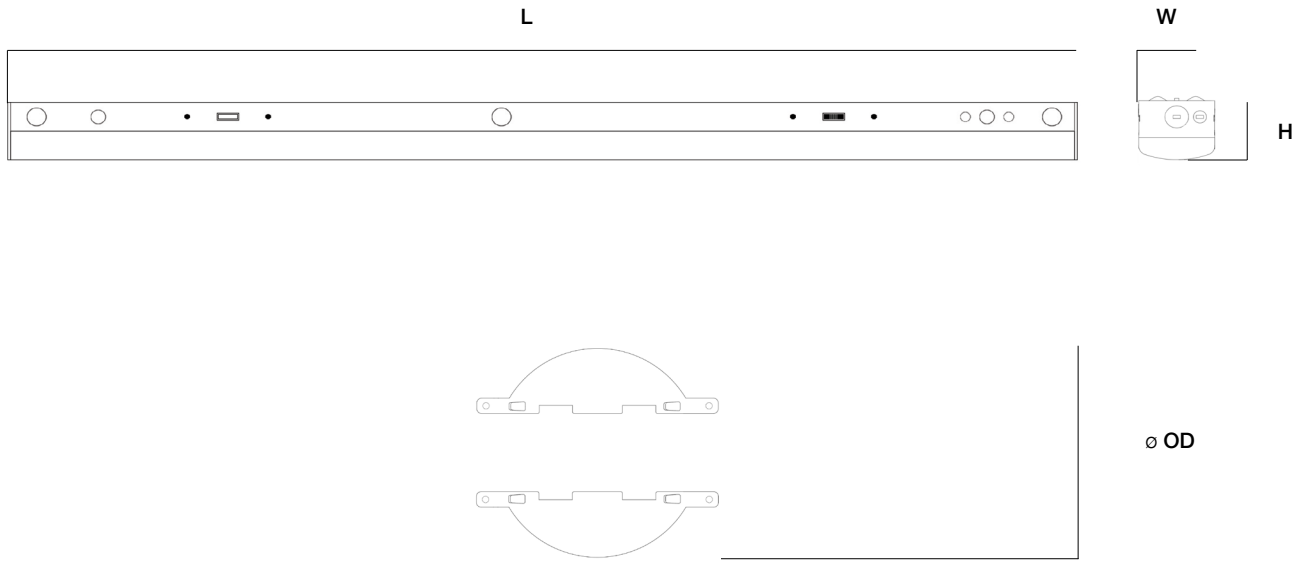
*see page 5 for sensor spec

**see page 6 for emb spec

ILxA-MC SERIES SELECTABLE LINEAR STRIP

DIMENSIONS

| Model | L | W | H | OD |
|-------------|-----------------|--------------|--------------|-----------------|
| IL2A-MC | 23.30" (592mm) | 2.80" (72mm) | 2.50" (64mm) | - |
| IL4A-MC | 47.30" (1202mm) | 2.80" (72mm) | 2.50" (64mm) | - |
| IL8A-MC | 95.30" (2420mm) | 2.80" (72mm) | 2.50" (64mm) | - |
| Beauty Ring | - | - | - | ø 5.00" (127mm) |



Surface Mount Beauty Ring
 Mounts on back of the fixture

ILxA-MC SERIES SELECTABLE LINEAR STRIP

PERFORMANCE DATA

| SYSTEM WATTS | SIZE | VOLTAGE | 3500K | | 4000K | | 5000K | |
|--------------|--------|----------|-------|-----|-------|-----|-------|-----|
| | | | LUMEN | LPW | LUMEN | LPW | LUMEN | LPW |
| 25W | 4-Foot | 120-277V | 3250 | 130 | 3275 | 131 | 3300 | 132 |
| 30W | 4-Foot | 120-277V | 3900 | 130 | 3930 | 131 | 3960 | 132 |
| 40W | 4-Foot | 120-277V | 5200 | 130 | 5240 | 131 | 5280 | 132 |
| 65W | 8-Foot | 120-277V | 8450 | 130 | 8515 | 131 | 8580 | 132 |
| 75W | 8-Foot | 120-277V | 9750 | 130 | 9825 | 131 | 9900 | 132 |
| 90W | 8-Foot | 120-277V | 11700 | 130 | 11790 | 131 | 11880 | 132 |

DLC CODE

| Part Number | DLC Product ID | DLC Class |
|-------------|----------------|-----------|
| IL4A-MC | S-719RS5 | Standard |

ILxA-MC SERIES SELECTABLE LINEAR STRIP

SENSOR SPEC

| Model | Type | Mounting | Coverage | Input | Function | Programmable |
|---|-----------------------|------------|-------------|-----------|--|--|
| SENSOR-819-O1 | PIR | 20FT | 30FT radius | Universal | On/Off | - |
| SENSOR-819-D1 | PIR | 20FT | 30FT radius | Universal | On/Off/Dimming | REMOTE-RC100 |
| SENSOR-BLE-819 (see page 8 for detail) | PIR | L1 - 20FT | 30FT radius | Universal | Bluetooth Mesh On/Off/Dimming Daylight Harvesting | ALS Control Bluetooth Mobile App |
| SENSOR-BLE-7 (see page 9 for detail) | Microwave | up to 13FT | 17FT radius | 12V DC | Bluetooth Mesh On/Off/Dimming Motion Daylight Sensing | ALS Control Bluetooth Mobile App |
| SENSOR-ANT-3C-B1 | Microwave | up to 12FT | 12FT radius | 10V DC | On/Off/Dimming Motion Daylight Sensing | REMOTE-RC100 |
| CONTROL-LVFA (see page 7 for detail) | Fixture Controller | - | - | 12V DC | Bluetooth Mesh On/Off/Dimming Scheduling | AVI-ON Bluetooth Mobile App |



SENSOR-819-XX
 SENSOR-BLE-819



SENSOR-BLE-7



SENSOR-ANT-3C-B1

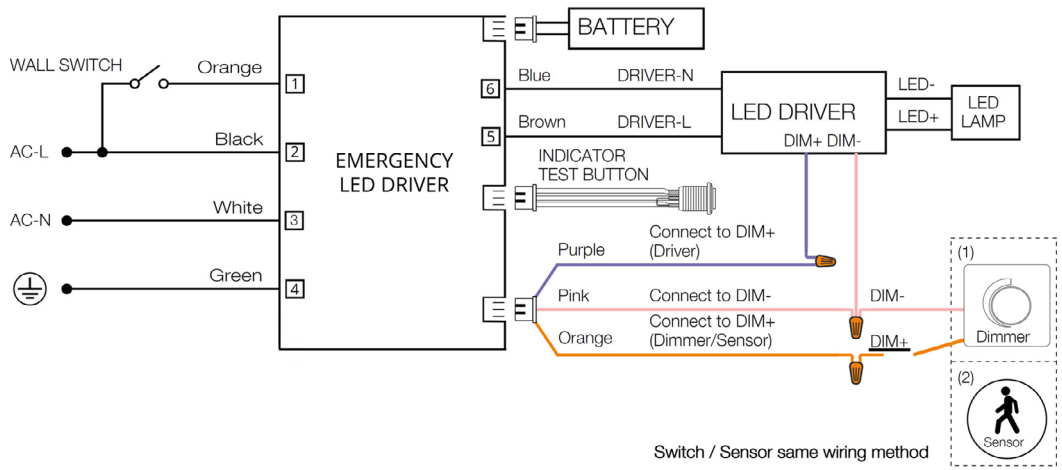


CONTROL-LVFA

ILxA-MC SERIES SELECTABLE LINEAR STRIP

EMB SPEC

| Model | Compatible Fixture | Battery Capacity | Input | Output | Output Power | Operating Temp | Installation |
|----------|--------------------|------------------|------------|--------|--------------|----------------------------|--------------------------------|
| EMB-8W-B | IL4A-MC | 90mins | 100-347VAC | 170VDC | 8W | 0°C ~ 50°C 32°F ~ 122°F | Factory or Field Install |



ILx-A-MC SERIES SELECTABLE LINEAR STRIP

CONTROL-LVFA SPEC

Status LEDs & Config Button

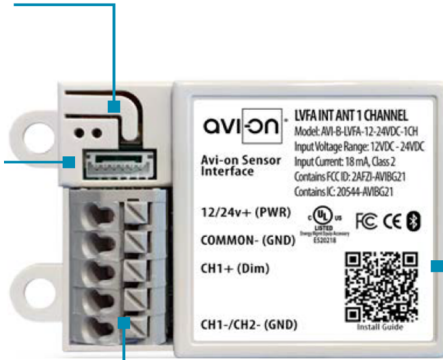
Quick and easy validation of wiring and network

Direct Connect™ Sensor Port

Simple and cost-effective addition to Avi-on sensors

Terminal Blocks & Mounting Tabs

Faster, easier and lower cost installation eliminating connectors



Internal Antenna

Improved performance and eliminates risk of accidentally cutting a hanging wire

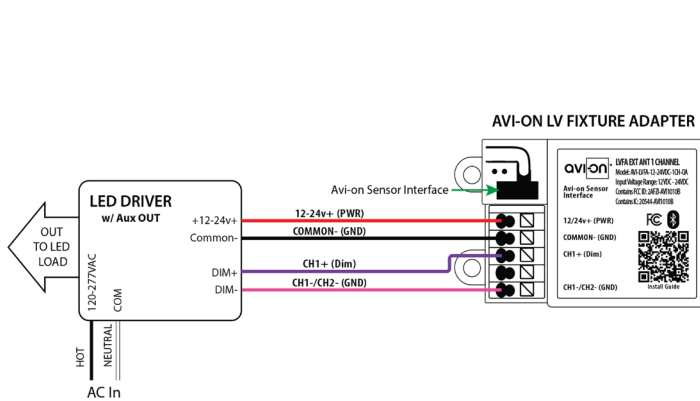
SPECIFICATIONS

INPUT VOLTAGE: 12-24VDC
CURRENT: 15mA without a Sensor
 19mA with a DC PIR Sensor
 48mA with a DC Microwave Sensor
0-10V DIMMING: 12-24VDC
SIZE: 2.30in x 1.43in x 0.75in
 (58.2mm x 36.4mm x 19mm)
MOUNTING: Removable mounting tabs
WEIGHT: 0.45 oz (16g)
OPERATING TEMP: -22°F to +158°F (-30°C to + 70°C)

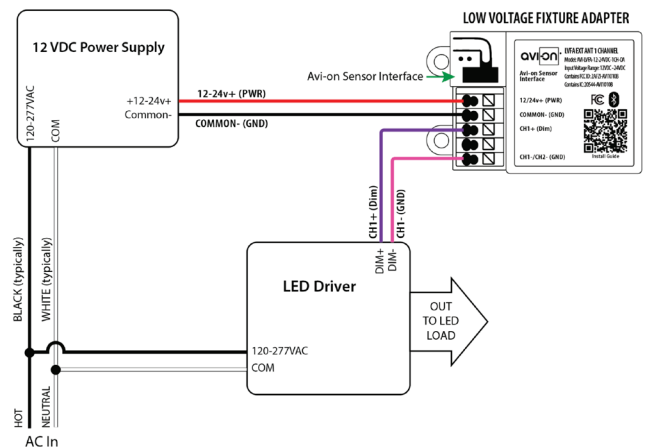
RADIO FREQUENCY: 2.4GHz
WIRELESS STANDARD: BLE 4.2 with Mesh
POINT TO POINT RANGE*: 80ft with obstructions
 350ft unobstructed
SECURITY: AES 128-bit encryption for device to device communication
 AES 256-bit encryption for device to cloud communication
WARRANTY: 5 years; 10 years optional
REGULATORY: FCC: 2AFZI-AVI1010 B
 IC: 20544-AVI1010 B
 BQB: D031801, DID: 86303
 UL 916, 2043 (Plenum Rated)

*When communicating through the mesh, range is essentially unlimited (5000ft+)

WIRING DIAGRAM



Fixture adapter powered by LED driver auxiliary output



Fixture adapter connected to LED driver and using power supply

FEATURE

- **Installation:** Factory or Field Install End Mount to Fixture
- **Commissioning:** Wirelessly through ALS Control Mobile App (iOS / Android)
- **Certification:** DLC 5.1 Networked Lighting Control System
- **Control:** Hold time, High-Low setting, continuous Bi-level dimming, Code-compliant manual-on or auto-off capability
- **Sensor:** Motion (Occupancy/Vacancy/Manual) and Daylight Harvesting
- **Room and Zone Control:** Zoning and Grouping control, Scheduling

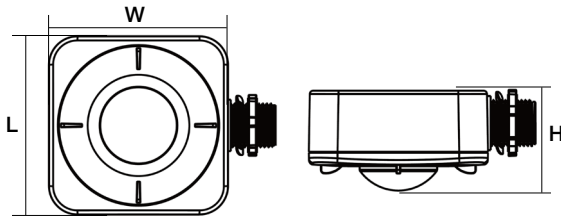


SPECIFICATIONS

SENSOR TYPE: Passive Infrared Sensor (PIR)
WIRELESS STANDARDS: Bluetooth SIG Mesh
INPUT VOLTAGE: 120/277VAC
CONTROL OUTPUT: 0-10V
OPERATING TEMP: -40°F ~ +167°F (-40°C ~ +75°C)

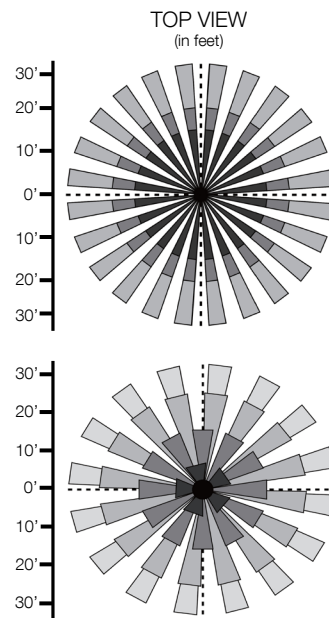
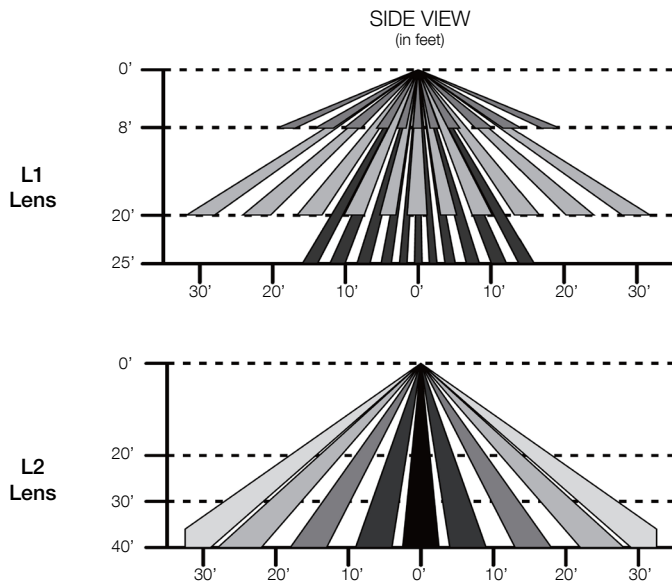
COMMISSIONING RANGE: 50FT
BLUETOOTH RANGE: Intergral antenna up to 100FT
DETECTION ANGLE: Vertical 90° x Horizontal 360°
MOUNTING HEIGHT: 8 - 40FT
WARRANTY: 5 years
IP RATING: IP20 Damp

DIMENSIONS



| L | W | H |
|-----------------|------------------|-------------------|
| 3.19" (81mm) | 4.02" (102mm) | 1.70" (43.3mm) |

COVERAGE PATTERNS



FEATURE

- **Installation:** Factory Install - Integral to Fixture
- **Commissioning:** Wirelessly through ALS Control Mobile App (iOS / Android)
- **Certification:** DLC 5.1 Networked Lighting Control System
- **Control:** Hold time, High-Low setting, continuous Bi-level dimming, Code-compliant manual-on or auto-off capability
- **Sensor:** Motion (Occupancy/Vacancy/Manual)
- **Room and Zone Control:** Zoning and Grouping control, Scheduling

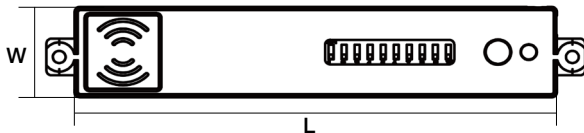


SPECIFICATIONS

SENSOR TYPE: Microwave
WIRELESS STANDARDS: Bluetooth SIG Mesh
INPUT VOLTAGE: 10-14VDC, >50mA
CONTROL OUTPUT: 0-10V
OPERATING TEMP: -40°F ~ +158°F (-40°C ~ +70°C)

COMMISSIONING RANGE: 50FT
BLUETOOTH RANGE: Integral antenna up to 164FT
DETECTION ANGLE: 360°
MOUNTING HEIGHT: Up to 13FT
WARRANTY: 5 years
IP RATING: IP20

DIMENSIONS



| L | W |
|-----------------|-------------------|
| 3.70" (94mm) | 0.73" (18.5mm) |

COVERAGE PATTERNS

