

FD8A SERIES FLOODLIGHT

CONSTRUCTION

Rugged die-cast aluminum housing with hinged, die-cast aluminum door.
 Low profile, 3G vibration rated compact design minimizes wind load requirements.
 Driver enclosure cover opens downwards, completely sealed against moisture and dusty.

OPTICS

UV-resistant polycarbonate optics, available in Type V distribution.
 Optics is precisely designed to shape the distribution, maximizing efficiency and application spacing.

ELECTRICAL

80+ CRI Lumileds LED.
 Field Selectable Lumen / CCT Technology.
 -40°C up to 50°C (-40°F up to 122°F) maximum ambient temperature.
 Long-life 100,000 hr LED at L70 @ 40°C.
 Driver operates at 120-277V input, 0-10V dimmable driver, down to 10%.
 50/60Hz, <20% THD, 0.9 power factor. Optional 347/480V input. Optional 10kV surge protection. Optional dimming sensor for occupancy and photosensing.

SENSORS (OPTIONAL)

SENSOR-BLE-6-4T Integral PIR ALS Control bluetooth/on/off/dimming/photosensing.
 SENSOR-ANT-6-4T Plug-N-Play PIR on/off/dimming/photosensing.
 SENSOR-PH-PB-U Integral button style photocell.
 SENSOR-PH-PT-U/UD/HD Twist lock dimming/non-dimming photocontrol.
 CONTROL-LVFA AVI-ON Bluetooth Mesh Controller.

MOUNTING

Standard slipfitter for 2-3/8" tenon (SF) and adjustable trunnion mount (TR).
 Optional tilt-able pole mount bracket (SRT).

STANDARD FINISH

Corrosion resistant Dark Bronze powder coating finish.

CUSTOM FINISH

Corrosion resistant Black, Graphite Metallic, Gray, Silver, White, Custom RAL#.

CERTIFICATION

IP65 Wet location label standard.
 Meets Buy America Act requirements.
 Title 24 compliant; see local ordinance for qualification information.
 All luminaires are built to UL1598 standards and bear appropriate cULus labels.
 DLC[®] Premium (DesignLights Consortium Qualified) listed.

WARRANTY

5 year warranty, see Limited Warranty for additional information.

Client:
 Project:
 Type:
 Quantity:



140/180W w/Slipfitter



250/300/400W

SHIPPING DATA

Product	Measurement	Weight
FD8A-140	16"L x 14"W x 3"H	10 lb
FD8A-180	16"L x 14"W x 3"H	11 lb
FD8A-250	26"L x 14"W x 3"H	15 lb
FD8A-300	26"L x 14"W x 3"H	16 lb
FD8A-400	26"L x 14"W x 3"H	17 lb



FD8A SERIES FLOODLIGHT

ORDER INFORMATION **EXAMPLE : FD8A 180 SC T5 DB UNVD**

Fixture	Series	Power & LM	CCT	Distribution	Finish	Input
	FD8A		SC			

A SERIES

FD8A	Flood Light
-------------	-------------

B POWER & LM

Code	Power	LM*	Efficacy (avg.)*
140	Field Selectable 60 / 90 / 120 / 140W	10,500 / 15,600 / 20,500 / 23,500	171lm/W
180	Field Selectable 72 / 108 / 144 / 180W	11,800 / 17,300 / 22,800 / 28,000	160lm/W
250	Field Selectable 100 / 150 / 200 / 250W	16,500 / 23,800 / 31,000 / 38,000	158lm/W
300	Field Selectable 120 / 180 / 240 / 300W	20,800 / 29,700 / 38,000 / 46,000	162lm/W

*LM Value & Efficacy based on 4000K

C CCT

SC	Field Selectable 3000K / 4000K / 5000K
-----------	--

D DISTRIBUTION

T5	Type V
-----------	--------

E FINISH

Standard													
DB	Dark Bronze												
Custom Color													
CC	<table border="0"> <tr> <td>BK</td> <td>Black</td> <td>GM</td> <td>Graphite Metallic</td> <td>GR</td> <td>Gray</td> </tr> <tr> <td>SV</td> <td>Silver</td> <td>WH</td> <td>White</td> <td>RAL#</td> <td></td> </tr> </table>	BK	Black	GM	Graphite Metallic	GR	Gray	SV	Silver	WH	White	RAL#	
BK	Black	GM	Graphite Metallic	GR	Gray								
SV	Silver	WH	White	RAL#									

F INPUT

UNVD	120-277V, 1-10V Dimmable	HVLD	347V, 480V, 1-10V Dimmable
-------------	--------------------------	-------------	----------------------------

FD8A SERIES FLOODLIGHT

ORDER INFORMATION (CONTINUED)

Mounting

**Accessories
Options**

G MOUNTING

MOUNT-FD8A-SF	Slipfitter
MOUNT-FD8A-TR	Trunnion Mount
MOUNT-FD8A-SRT	Square/Round Pole Tilt-able

H ACCESSORIES/OPTIONS

AIA	Assembled in America, compliant with BAA (COTS)
SHIELD-FD8A*	Backlight Shield on Lens
SHIELD-FD8A-VISOR-A / B*	4-Side Visor, A: 140 ~ 180W, B: 250 ~ 400W
SENSOR-ANT-6-4T**	Integral PIR on/off/dimming/photosensing
SENSOR-BLE-6-4T**	“Plug-N-Play” Integral Bluetooth Daylight Harvesting Sensor (ALS Control Mobile App)
SENSOR-PH-PB-U**	Button Style Photocell
SENSOR-PH-PT-U / UD / HD**	Twist Lock Photocell / U: 120-277V, UD: 120-277V, HD: 480V input
SENSOR-823-L3 / L4**	Integral PIR on/off/dimming/photosensing / L3: up to 40FT, L4: up to 8FT
SENSOR-820**	Integral PIR on/off/dimming/photosensing
REMOTE-RC100	Handheld Remote Commissioning Tool for SENSOR-823, 820 Series
SURGE-LSP4-U/H	10kV inline Surge Protection for Universal input / U: 120-277V, H: 480V input
CONTROL-LVFA**	AVI-ON Bluetooth Mesh Control System

*see page 8 for shield spec

**see page 9 for sensor spec

FD8A SERIES FLOODLIGHT

ORDER INFORMATION **EXAMPLE : FD8A 400 MC T5 DB UNVD**

Fixture	Series	Power & LM	CCT	Distribution	Finish	Input
	FD8A	400	MC			

A SERIES

FD8A Area Light

B POWER & LM

Code	Power	LM*	Efficacy (avg.)*
400	Field Selectable 300 / 320 / 360 / 400W	47,500 / 51,500 / 56,500 / 61,000	159lm/W

*LM Value & Efficacy based on 4000K, T5 Distribution

C CCT

MC Field Selectable 4000K / 5000K

D DISTRIBUTION

T5 Type V

E FINISH

Standard

DB Dark Bronze

Custom Color

CC	BK	Black	GM	Graphite Metallic	GR	Gray
	SV	Silver	WH	White	RAL#	

F INPUT

UNVD 120-277V, 1-10V Dimmable **HVLD** 347V, 480V, 1-10V Dimmable

FD8A SERIES FLOODLIGHT

ORDER INFORMATION (CONTINUED)

Mounting

**Accessories
Options**

G MOUNTING

MOUNT-FD8A-SF	Slipfitter
MOUNT-FD8A-TR	Trunnion Mount
MOUNT-FD8A-SRT	Square/Round Pole Tilt-able

H ACCESSORIES/OPTIONS

AIA	Assembled in America, compliant with BAA (COTS)
SHIELD-FD8A*	Backlight Shield on Lens
SHIELD-FD8A-VISOR-A / B*	4-Side Visor, A: 140 ~ 180W, B: 250 ~ 400W
SENSOR-ANT-6-4T**	Integral PIR on/off/dimming/photosensing
SENSOR-BLE-6-4T**	“Plug-N-Play” Integral Bluetooth Daylight Harvesting Sensor (ALS Control Mobile App)
SENSOR-PH-PB-U**	Button Style Photocell
SENSOR-PH-PT-U / UD / HD**	Twist Lock Photocell / U: 120-277V, UD: 120-277V, HD: 480V input
SENSOR-823-L3 / L4**	Integral PIR on/off/dimming/photosensing / L3: up to 40FT, L4: up to 8FT
SENSOR-820**	Integral PIR on/off/dimming/photosensing
REMOTE-RC100	Handheld Remote Commissioning Tool for SENSOR-823, 820 Series
SURGE-LSP4-U/H	10kV inline Surge Protection for Universal input / U: 120-277V, H: 480V input
CONTROL-LVFA**	AVI-ON Bluetooth Mesh Control System

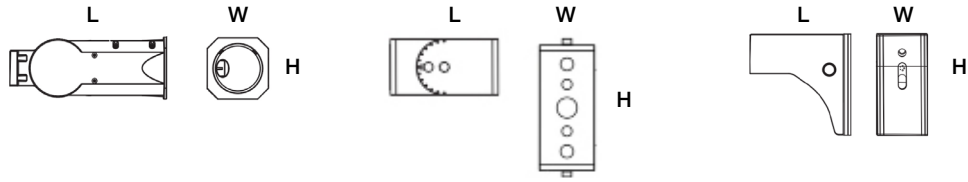
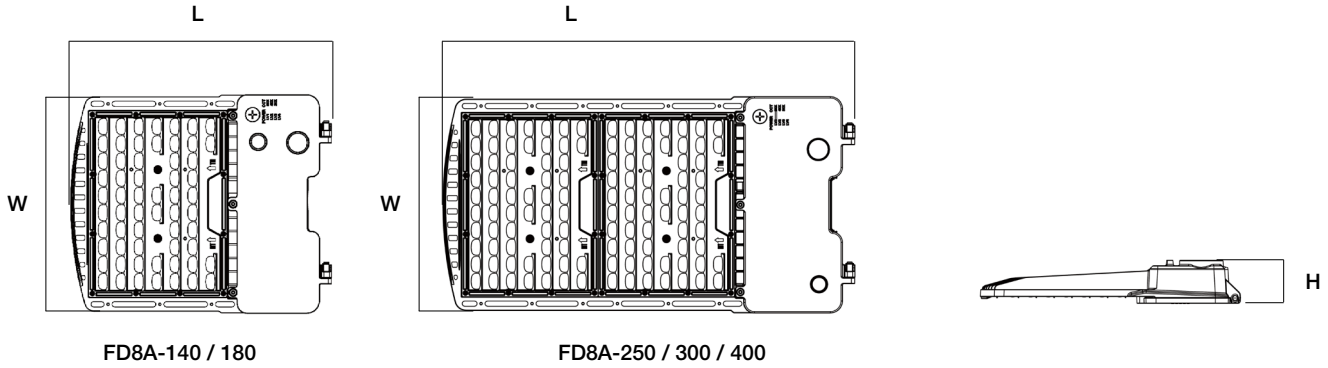
*see page 8 for shield spec

**see page 9 for sensor spec

FD8A SERIES FLOODLIGHT

DIMENSIONS

Model	L	W	H
FD8A-140 / 180	15.61" (396mm)	13.00" (331mm)	2.05" (52mm)
FD8A-250 / 300 / 400	24.98" (634mm)	13.00" (331mm)	2.46" (62mm)
Bracket - SF	8.47" (215mm)	3.35" (85mm)	3.35" (85mm)
Bracket - TR	5.37" (137mm)	3.75" (95mm)	2.36" (60mm)
Bracket - SRT	6.95" (176mm)	3.55" (90mm)	6.97" (177mm)



SF (Slipfitter)

TR (Trunion Mount)

SRT (Tilttable Square/Round)

EPA (ft²)

Mounting Option	Single	2 @ 90°	2 @ 120°	2 @ 180°	3 @ 90°	3 @ 120°	4 @ 90°
140 / 180W	0.363	0.685	0.886	0.726	1.048	1.208	1.048
250 / 300 / 400W	0.476	0.809	1.059	0.952	1.285	1.392	1.285

FD8A SERIES FLOODLIGHT

PERFORMANCE DATA								
SYSTEM WATTS	VOLTAGE	DIST. TYPE	3000K		4000K		5000K	
			LUMEN	LPW	LUMEN	LPW	LUMEN	LPW
FD8A-140 @ 60W	120-277V	V	9600	160	10500	175	10000	167
FD8A-140 @ 90W	120-277V	V	14000	156	15600	172	14500	161
FD8A-140 @ 120W	120-277V	V	18500	154	20500	171	19000	158
FD8A-140 @ 180W	120-277V	V	21000	150	23500	168	21500	154
FD8A-180 @ 72W	120-277V	V	10800	150	11800	164	11000	153
FD8A-180 @ 108W	120-277V	V	15800	146	17300	160	16200	150
FD8A-180 @ 144W	120-277V	V	20800	144	22800	158	21000	146
FD8A-180 @ 180W	120-277V	V	25500	142	28000	156	26000	144
FD8A-250 @ 100W	120-277V	V	15000	150	16500	165	15500	155
FD8A-250 @ 150W	120-277V	V	21800	145	23800	159	22500	150
FD8A-250 @ 200W	120-277V	V	28000	140	31000	155	28800	144
FD8A-250 @ 250W	120-277V	V	34500	138	38000	152	35500	142
FD8A-300 @ 120W	120-277V	V	18500	154	20800	173	19000	158
FD8A-300 @ 180W	120-277V	V	26600	148	29700	165	27500	153
FD8A-300 @ 240W	120-277V	V	34500	144	38000	158	35500	148
FD8A-300 @ 300W	120-277V	V	42500	142	46000	153	43500	145
FD8A-400 @ 300W	120-277V	V	-	-	47500	164	46500	160
FD8A-400 @ 320W	120-277V	V	-	-	51500	161	50500	159
FD8A-400 @ 360W	120-277V	V	-	-	56500	157	55500	154
FD8A-400 @ 400W	120-277V	V	-	-	61000	153	60800	152

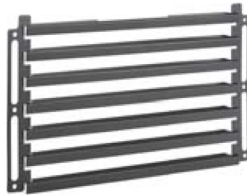
FD8A SERIES FLOODLIGHT

SHIELD SPEC

SHIELD-FD8A

Backlight Shield on Lens

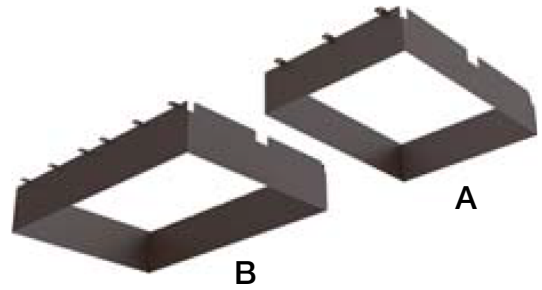
FD8A-180W 1:1
FD8A-250 ~ 400W 2:1



SHIELD-FD8A-VISOR

4-Side Metal Visor

A: FD8A-180W 1:1
B: FD8A-250 ~ 400W 1:1



FD8A SERIES FLOODLIGHT

SENSOR SPEC

Model	Type	Mounting	Coverage	Input	Function	Programmable
SENSOR-ANT-6-4T	PIR	up to 40FT	30FT radius	12V DC	On/Off/Dimming	REMOTE-RC100
SENSOR-BLE-6-4T (see page 11 for detail)	PIR	up to 40FT	30FT radius	12V DC	Bluetooth Mesh On/Off/Dimming Daylight Harvesting	ALS Control Bluetooth Mobile App
SENSOR-PH-PB-U	-	-	-	Universal	Dusk-to-Dawn Control	-
SENSOR-PH-PT-U SENSOR-PH-PT-UD SENSOR-PH-PT-HD	-	-	-	Universal 277 ~ 480V	Dusk-to-Dawn Control	-
CONTROL-LVFA (see page 10 for detail)	Fixture Controller	-	-	12V DC	Bluetooth Mesh On/Off/Dimming Scheduling	AVI-ON Bluetooth Mobile App



SENSOR-ANT-6-4T
 SENSOR-BLE-6-4T



SENSOR-PH-PB-U



SENSOR-PH-PT-U/H



SENSOR-PH-PT-HD



CONTROL-AVI-LVFA

FD8A SERIES FLOODLIGHT

CONTROL-LVFA SPEC

Status LEDs & Config Button

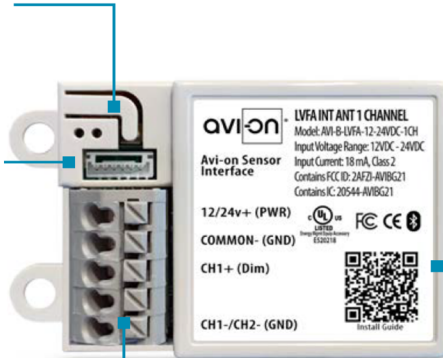
Quick and easy validation of wiring and network

Direct Connect™ Sensor Port

Simple and cost-effective addition to Avi-on sensors

Terminal Blocks & Mounting Tabs

Faster, easier and lower cost installation eliminating connectors



Internal Antenna

Improved performance and eliminates risk of accidentally cutting a hanging wire

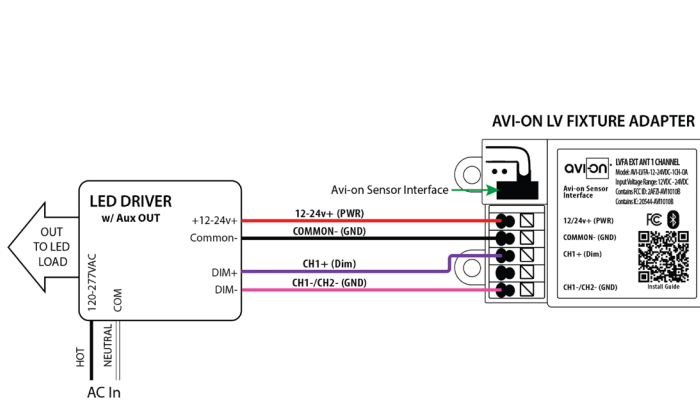
SPECIFICATIONS

INPUT VOLTAGE: 12-24VDC
CURRENT: 15mA without a Sensor
 19mA with a DC PIR Sensor
 48mA with a DC Microwave Sensor
0-10V DIMMING: 12-24VDC
SIZE: 2.30in x 1.43in x 0.75in
 (58.2mm x 36.4mm x 19mm)
MOUNTING: Removable mounting tabs
WEIGHT: 0.45 oz (16g)
OPERATING TEMP: -22°F to +158°F (-30°C to + 70°C)

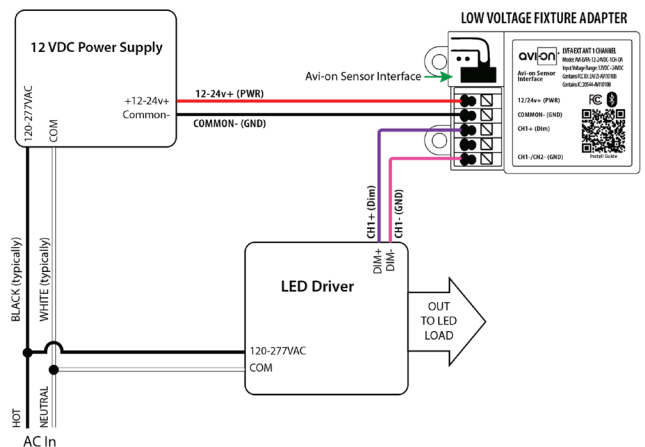
RADIO FREQUENCY: 2.4GHz
WIRELESS STANDARD: BLE 4.2 with Mesh
POINT TO POINT RANGE*: 80ft with obstructions
 350ft unobstructed
SECURITY: AES 128-bit encryption for device to device communication
 AES 256-bit encryption for device to cloud communication
WARRANTY: 5 years; 10 years optional
REGULATORY: FCC: 2AFZI-AVI1010 B
 IC: 20544-AVI1010 B
 BQB: D031801, DID: 86303
 UL 916, 2043 (Plenum Rated)

*When communicating through the mesh, range is essentially unlimited (5000ft+)

WIRING DIAGRAM



Fixture adapter powered by LED driver auxiliary output



Fixture adapter connected to LED driver and using power supply

FEATURE

- **Installation:** Factory Install - Sensor integral to fixture, lens external
- **Commissioning:** Wirelessly through ALS Control Mobile App (iOS / Android)
- **Certification:** DLC 5.1 Networked Lighting Control System
- **Control:** Hold time, High-Low setting, continuous Bi-level dimming, manual/auto - on/off
- **Sensor:** Motion (Occupancy/Vacancy/Manual) and Daylight
- **Zone Control:** Zoning and Grouping control, Scheduling

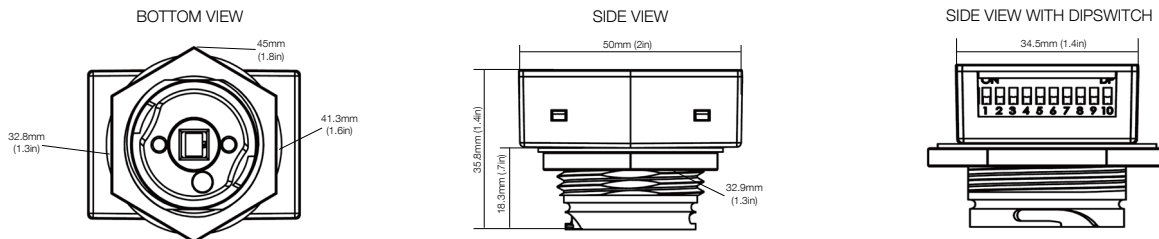


SPECIFICATIONS

SENSOR TYPE: Passive Infrared Sensor (PIR)
WIRELESS STANDARDS: Bluetooth SIG Mesh
INPUT VOLTAGE: 12-24VDC, >50mA
CONTROL OUTPUT: 0-10V
OPERATING TEMP: -40°F ~ +158°F (-40°C ~ +70°C)

COMMISSIONING RANGE: 50FT
BLUETOOTH RANGE: Integral antenna up to 100FT
DETECTION ANGLE: Vertical 90° x Horizontal 360°
MOUNTING HEIGHT: 8 - 40FT
WARRANTY: 5 years
IP RATING: IP65

DIMENSIONS



COVERAGE PATTERNS

