

EL SERIES EMERGENCY LIGHT

Client:
 Project:
 Type:
 Quantity:

CONSTRUCTION

The EL series lights and housing are constructed from injection-molded thermoplastic material. Spec-grade product obtain UL-94V-0 flame rating. Fully adjustable emergency lights offers 360° rotation and 90° tilt.

OPTICS

Polycarbonate prismatic lens.

ELECTRICAL

10°C up to 40°C (50°F up to 104°F) maximum operating temperature.
 Lamps use long-lasting, efficient ultra bright white LEDs.
 Adjustable 2W LED heads equipped with 12 series-parallel white LEDs each.
 120-277V Input, maintenance-free 3.6V 600mAh Nickel Cadmium battery that provides a minimum emergency duration of 90 minutes.

MOUNTING

Surface mount through luminaire body, allow mounting on 4" Round or Square J-box.
 Standard mounting height of 7.5ft illuminates 1 footcandle (FC) spaced at 18ft for a 3ft path of egress.
 Standard mounting height of 7.5ft illuminates 1 footcandle (FC) spaced at 14ft for a 6ft path of egress.

EMERGENCY OPERATION

Upon failure of the normal utility power, an internal solidstate transfer switch automatically provides uninterrupted emergency operation for at least 90 minutes.
 Recharge a discharged battery in 24 hours.

STANDARD FINISH

Corrosion resistant matte White finish

CUSTOM FINISH

Corrosion resistant Black finish

CERTIFICATION

All luminaires are built to UL1598 & UL924 standards and bear appropriate cULus labels.
 UL94V-0 Rating.

WARRANTY

5 year warranty, see Limited Warranty for additional information



SHIPPING DATA

Product	Measurement	Weight
EL-A-G2	12"L x 3"W x 5"H	3 lb



EL SERIES EMERGENCY LIGHT

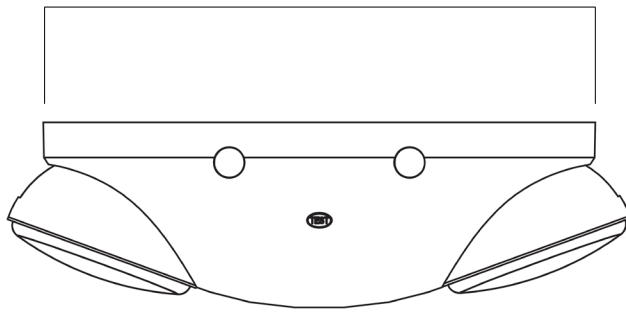
ORDER INFORMATION				EXAMPLE : EL A G2 WH EM	
Fixture	SERIES	POWER	GENERATION	FINISH	INPUT
	EL	A	G2	WH	EM
A SERIES					
EL	Emergency Light				
B POWER & LM					
Code	Power	LM			
A	1.8W	161lm			
C GENERATION					
G2	Gen 2 Model				
D FINISH					
Standard					
WH	White				
Custom Color					
CC	BK	Black			
E INPUT					
EM	90 Minute Battery				

EL SERIES EMERGENCY LIGHT

DIMENSIONS

Power	L	W	H
A	11.00" (279mm)	2.66" (68mm)	4.33" (110mm)

L



W

