



TREA SERIES G2 SELECTABLE LED TROFFER

Client:
Project:
Type:
Quantity:

CONSTRUCTION

22-gauge metal frame, 95% reflective white polyester powder coat bonded to phosphate-free multi-stage pretreated metal. All parts painted after fabrication to facilitate installation, increase efficiency and inhibit corrosion. All corners are rounded for safe handling. Multiple wiring entrances on driver enclosure for easy access. Integral T-bar clips for installation into T-grid ceilings.

OPTICS

Backlit design provides exceptional lighting distribution. Frosted polycarbonate lens offers edge to edge smooth illumination for maximum visual comfort.

ELECTRICAL

Long-life LEDs, coupled with a high-efficiency driver, provide superior illumination for extended service life. Greater than 70% LED lumen maintenance at 60,000 hours (L70>60,000).

Selectable lumen and CCT technology allows easy field-adjustable capability, luminaire ships with maximum output and 4000K CCT setting.

All CCTs are within 3 MacAdam ellipses.

Driver operates at 120-277V input, 0-10V dimmable driver, down to 10%.

SENSORS (OPTIONAL)

SENSOR-BLE-7 Integral Microwave Bluetooth Wireless Motion/on/off/dimming/photosensing.

SENSOR-ANT-7 Integral Microwave Motion/on/off/dimming/photosensing.

CONTROL-LVFA AVI-ON Bluetooth Mesh Controller.

MOUNTING

Designed to accommodate lay-in ceilings, Slot T, and T-bar suspension system for 5/8" and 3/8" width.

Built-in earthquake clips come standard.

Surface/cable mount applications, use surface mount accessories.

Plaster or sheetrock installations, select flange kit.

STANDARD FINISH

High Reflective White finish.

CERTIFICATION

Damp location label standard.

Meets Buy America Act requirements.

Option for "BABAA" compliance upon request.

All luminaires are built to UL1598 standards and bear appropriate cULus labels.

For Emergency application, equipment with UL924 certified battery packs.

DLC® Premium (DesignLights Consortium Qualified)

WARRANTY

5 year warranty, see Limited Warranty for additional information.



TREA-4 (Gen 2)

SHIPPING DATA

Product	Measurement	Weight
TREA-G2-1 (2-pack)	48"L x 12"W x 3"H	16 lb
TREA-G2-2 (2-pack)	24"L x 24"W x 3"H	15 lb
TREA-G2-4 (2-pack)	48"L x 24"W x 3"H	24 lb



TREA SERIES G2 SELECTABLE LED TROFFER

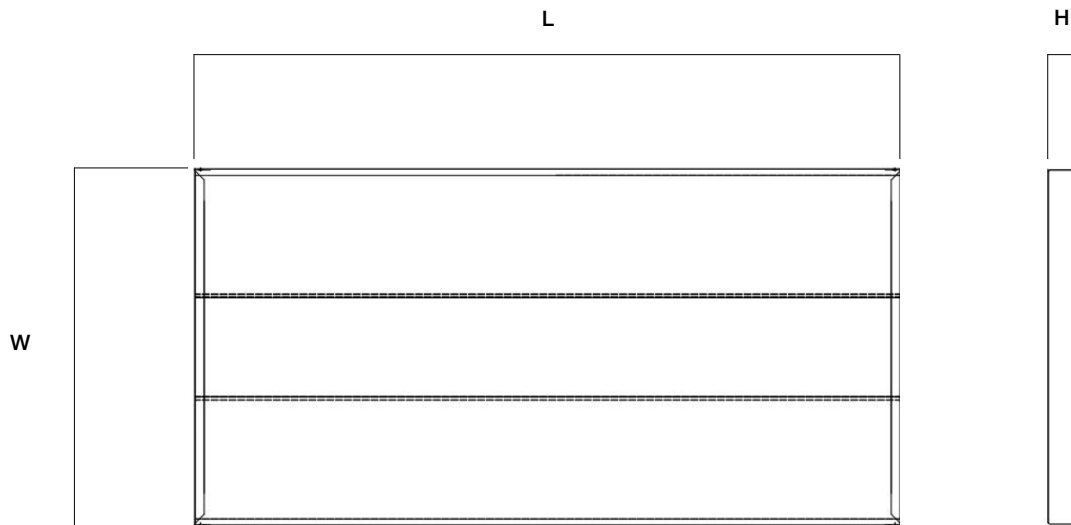
ORDER INFORMATION					EXAMPLE: TREA G2 2
Fixture	Series	Model	Finish	Input	
	TREA		blank	blank	
Mounting					
Accessories					
Options					
A	SERIES				
	TREA	Selectable Lumen and CCT LED Troffer			
B	MODEL				
	Code	Size	Power	CCT	Output
	1-G2	1x4	20W / 25W / 30W	3000K / 3500K / 4000K / 5000K / 6500K	up to 3750lm
	2-G2	2x2	25W / 30W / 35W	3000K / 3500K / 4000K / 5000K / 6500K	up to 4375lm
	4-G2	2x4	34W / 38W / 45W	3000K / 3500K / 4000K / 5000K / 6500K	up to 6250lm
C	FINISH				
	blank	White			
D	INPUT				
	blank	120-277V, 0-10V Dimming w/12V AUX Output		MD	120-347V, 0-10V Dimming w/12V AUX Output
G	MOUNTING				
	blank	Standard lay-in			
	MOUNT-LP-14-FGK	1x4 Flange Kit (Plaster, Sheetrock or Drywall)			
	MOUNT-LP-22-FGK	2x2 Flange Kit (Plaster, Sheetrock or Drywall)			
	MOUNT-LP-24-FGK	2x4 Flange Kit (Plaster, Sheetrock or Drywall)			
	MOUNT-LP-14-SMK	2" Tall 1x4 Surface Mount Kit			
	MOUNT-LP-22-SMK	2" Tall 2x2 Surface Mount Kit			
	MOUNT-LP-24-SMK	2" Tall 2x4 Surface Mount Kit			
H	ACCESSORIES/OPTIONS				
	AIA	Assembled in America, compliant with BAA (COTS)			
	BABAA	Build America, Buy America Act (BABAA) Compliant			
	SENSOR-BLE-7*	Integral Microwave Bluetooth Wireless Bi-Level Motion Sensor (ALS Control Mobile App)			
	SENSOR-ANT-7*	Integral Microwave Bi-Level Motion Sensor			
	CONTROL-LVFA*	AVI-ON Bluetooth Mesh Control System			
	REMOTE-RC100	Handheld Remote Commissioning Tool for SENSOR-ANT (1 per job)			
	EMB-H08170*	External EMB 8W			
	EMB-H18170*	External EMB 18W			
	EMB-H40170*	External EMB 40W			
	-C	6-Foot Flex			

*see page 5 for sensor and emb spec

TREA SERIES G2 SELECTABLE LED TROFFER

DIMENSIONS

Model	W	L	H
TREA-G2-1	11.70" (298mm)	47.80" (1213mm)	2.0" (50mm)
TREA-G2-2	23.76" (603mm)	23.76" (603mm)	2.1" (54mm)
TREA-G2-4	23.76" (603mm)	47.80" (1213mm)	2.1" (54mm)



TREA SERIES G2 SELECTABLE LED TROFFER

PERFORMANCE DATA

SYSTEM WATTS	SIZE	VOLTAGE	LUMEN	LPW	QTY ON PALLET
20W	1x4	120-277V	2500	125	100
25W	1x4	120-277V	3125	125	100
30W	1x4	120-277V	3750	125	100
25W	2x2	120-277V	3125	125	120
30W	2x2	120-277V	3750	125	120
35W	2x2	120-277V	4375	125	120
34W	2x4	120-277V	4250	125	60
38W	2x4	120-277V	4750	125	60
45W	2x4	120-277V	5625	125	60

DLC CODE

Part Number	DLC Part Number	DLC Class
TREA-1-G2	Pending	Premium
TREA-2-G2	Pending	Premium
TREA-4-G2	Pending	Premium

TREA SERIES G2 SELECTABLE LED TROFFER

SENSOR SPEC

Model	Type	Mounting	Coverage	Input	Function	Programmable
SENSOR-BLE-7 (see page 7 for detail)	Microwave	up to 13FT	17FT radius	12V DC	Bluetooth Mesh On/Off/Dimming Motion Daylight Sensing	ALS Control Bluetooth Mobile App
SENSOR-ANT-7	Microwave	up to 12FT	17FT radius	10V DC	On/Off/Dimming Motion Daylight Sensing	REMOTE-RC100
CONTROL-LVFA (see page 6 for detail)	Fixture Controller	-	-	12V DC	Bluetooth Mesh On/Off/Dimming Scheduling	AVI-ON Bluetooth Mobile App



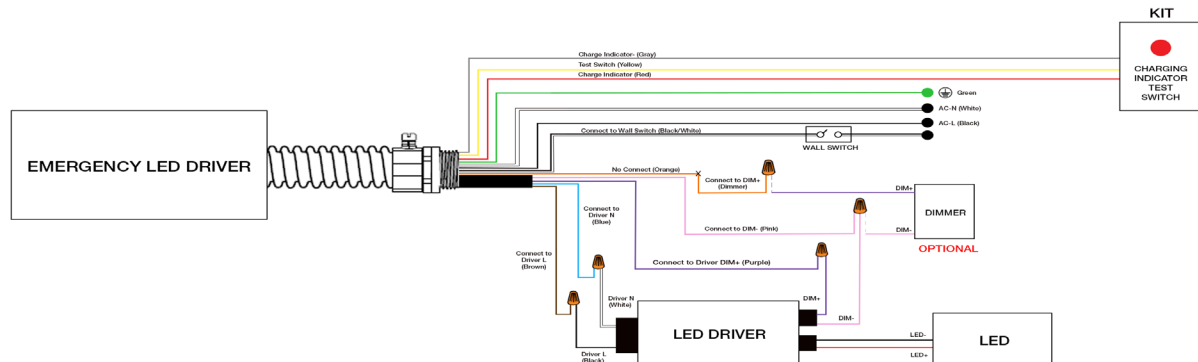
SENSOR-BLE-7
SENSOR-ANT-7



CONTROL-LVFA

EMB SPEC

Model	Battery Capacity	Input	Output	Output Power	Operating Temp	Installation
EMB-H08170	90mins	100-347VAC	170VDC	8W	0°C ~ 50°C 32°F ~ 122°F	Factory or Field Install
EMB-H18170	90mins	100-347VAC	170VDC	18W	0°C ~ 50°C 32°F ~ 122°F	Factory or Field Install
EMB-H40170	90mins	100-347VAC	170VDC	40W	0°C ~ 50°C 32°F ~ 122°F	Factory or Field Install



TREA SERIES G2 SELECTABLE LED TROFFER

CONTROL-LVFA SPEC

Status LEDs & Config Button

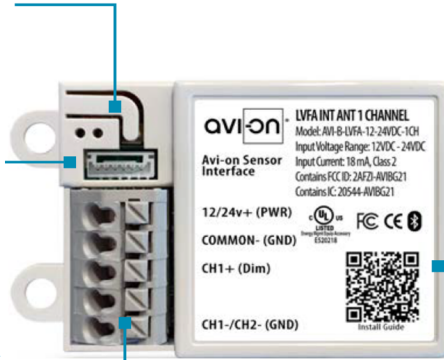
Quick and easy validation of wiring and network

Direct Connect™ Sensor Port

Simple and cost-effective addition to Avi-on sensors

Terminal Blocks & Mounting Tabs

Faster, easier and lower cost installation eliminating connectors



Internal Antenna

Improved performance and eliminates risk of accidentally cutting a hanging wire

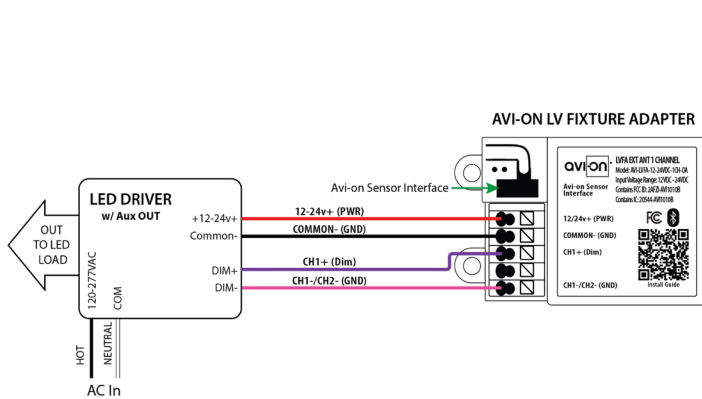
SPECIFICATIONS

INPUT VOLTAGE: 12-24VDC
CURRENT: 15mA without a Sensor
 19mA with a DC PIR Sensor
 48mA with a DC Microwave Sensor
0-10V DIMMING: 12-24VDC
SIZE: 2.30in x 1.43in x 0.75in
 (58.2mm x 36.4mm x 19mm)
MOUNTING: Removable mounting tabs
WEIGHT: 0.45 oz (16g)
OPERATING TEMP: -22°F to +158°F (-30°C to + 70°C)

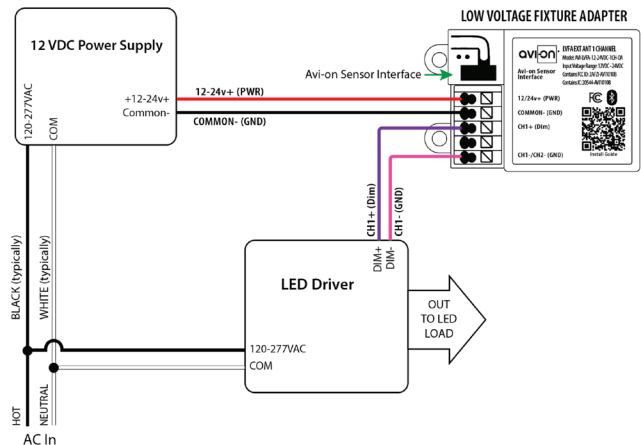
RADIO FREQUENCY: 2.4GHz
WIRELESS STANDARD: BLE 4.2 with Mesh
POINT TO POINT RANGE*: 80ft with obstructions
 350ft unobstructed
SECURITY: AES 128-bit encryption for device to device communication
 AES 256-bit encryption for device to cloud communication
WARRANTY: 5 years; 10 years optional
REGULATORY: FCC: 2AFZI-AVI1010 B
 IC: 20544-AVI1010 B
 BQB: D031801, DID: 86303
 UL 916, 2043 (Plenum Rated)

*When communicating through the mesh, range is essentially unlimited (5000ft+)

WIRING DIAGRAM



Fixture adapter powered by LED driver auxiliary output



Fixture adapter connected to LED driver and using power supply

FEATURE

- **Installation:** Factory Install - Integral to Fixture
- **Commissioning:** Wirelessly through ALS Control Mobile App (iOS / Android)
- **Certification:** DLC 5.1 Networked Lighting Control System
- **Control:** Hold time, High-Low setting, continuous Bi-level dimming, Code-compliant manual-on or auto-off capability
- **Sensor:** Motion (Occupancy/Vacancy/Manual)
- **Room and Zone Control:** Zoning and Grouping control, Scheduling

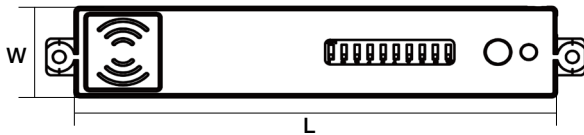


SPECIFICATIONS

SENSOR TYPE: Microwave
WIRELESS STANDARDS: Bluetooth SIG Mesh
INPUT VOLTAGE: 10-14VDC, >50mA
CONTROL OUTPUT: 0-10V
OPERATING TEMP: -40°F ~ +158°F (-40°C ~ +70°C)

COMMISSIONING RANGE: 50FT
BLUETOOTH RANGE: Integral antenna up to 164FT
DETECTION ANGLE: 360°
MOUNTING HEIGHT: Up to 13FT
WARRANTY: 5 years
IP RATING: IP20

DIMENSIONS



L	W
3.70" (94mm)	0.73" (18.5mm)

COVERAGE PATTERNS

