



CPR SERIES GARAGE LIGHT

Client:
Project:
Type:
Quantity:

CONSTRUCTION

Rugged die-cast aluminum housing with corrosion resistant powder coat finish both protects and provides architectural appearance.

Heat dissipating fins provide superior thermal performance extending the life of the luminaire. Feed-through wiring ready, 1/2" NPT threading with water tight cap.

OPTICS

Round drop lens constructed of polycarbonate material with refractive features built in to maximize area coverage, offers 1% uplight. Light engine available in 4000K, 5000K CCT (70+ CRI).

ELECTRICAL

70+ CRI Lumileds LED.

-40°C up to 45°C (-40°F up to 113°F) maximum operating temperature.

120,000 hr at L70 @ 25°C, 95,000 hr at L70 40°C.

Driver operates at 120-277V input, 50/60Hz, 1-10V dimming driver standard. Option to have dimming leads pulled out for easy connection. <20% THD, 0.9 power factor.

Optional Emergency Backup Battery.

SENSORS (OPTIONAL)

SENSOR-819-O1 End mount on/off motion sensor with lowbay lens.

SENSOR-819-D1 End mount on/off/dimming and photocell sensor with lowbay lens.

SENSOR-BLE-819 End mount ALS CONTROL bluetooth on/off motion sensor lowbay lens.

SENSOR-823 Integral PIR on/off/dimming/photosensing.

SENSOR-PH-PB-U Integral button style photocell.

CONTROL-LVFA AVI-ON Bluetooth Mesh Controller.

MOUNTING

Integrated universal mounting plate which mounts directly to 4" round, octagonal, and square junction boxes. The easy to install quick-mount bracket system allows for free hand wiring suitable for mounting to a surface mounted j-box or to a rigid or free swinging pendant (supplied by others).

3/4" conduit entry on top for pendant mount. 1/2" conduit entry on two sides.

STANDARD FINISH

Corrosion resistant semi-gloss White finish.

CUSTOM FINISH

Corrosion resistant Dark Bronze, Black, Graphite Metallic, Gray, Silver, Custom RAL#.

CERTIFICATION

IP66 Wet location label standard.

Meets Buy America Act requirements.

All luminaires are built to UL1598 standards and bear appropriate cULus labels.

For Emergency application, equipment with UL924 certified battery packs.

DLC® Premium (DesignLights Consortium Qualified)

WARRANTY

5 year warranty, see Limited Warranty for additional information.



SHIPPING DATA

Product	Measurement	Weight
CPR-30	13"L x 13"W x 4"H	6 lb
CPR-45	13"L x 13"W x 4"H	6 lb
CPR-60	13"L x 13"W x 4"H	6 lb
CPR-90	14"L x 14"W x 4"H	7 lb



CPR SERIES GARAGE LIGHT

ORDER INFORMATION **EXAMPLE : CPR 40 50 F JM WH UD**

Fixture	Series	Power & LM	CCT	Distribution	Mounting	Finish	Input
	CPR			F	JM		UD

A SERIES

CPR Circular Garage Light

B POWER & LM

Code	Power	LM
30	30W	3600lm
45	45W	5000lm
60	60W	7100lm
90	90W	11600lm

C CCT

40	4000K
50	5000K

D DISTRIBUTION

F Frosted Drop Lens

E MOUNTING

JM Surface Mount (3/4" conduit entry on top)

F FINISH

Standard							
WH	White						
Custom Color							
CC	DB	Dark Bronze	BK	Black	GM	Graphite Metallic	
	GR	Gray	SV	Silver	RAL#		

G INPUT

UD 120-277V, 0-10V Dimmable

CPR SERIES GARAGE LIGHT

ORDER INFORMATION (CONTINUED)

Accessories

Options

H ACCESSORIES/OPTIONS

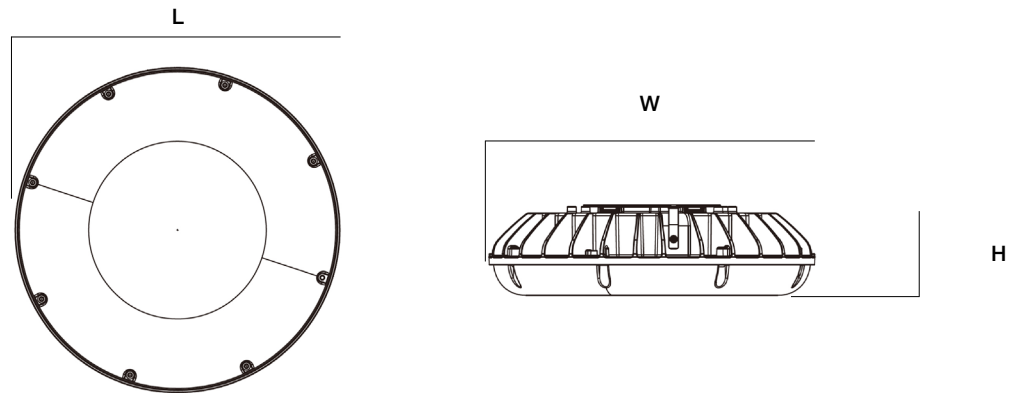
AIA	Assembled in America, compliant with BAA (COTS)
EMB-8W*	8W Emergency Battery 170VDC Forward Voltage
SENSOR-819-O1-L1 / L2*	End mount on/off motion sensor w/lowbay lens / L1: up to 20FT, L2: up to 40FT
SENSOR-819-D1-L1 / L2*	End mount on/off/dimming and photocell sensor with lowbay lens / L1: up to 20FT, L2: up to 40FT
SENSOR-BLE-819-L1*	End Mount PIR Bluetooth Daylight Harvesting Sensor (ALS Control Mobile App) / L1: up to 20FT
SENSOR-823-L3 / L4*	Integral PIR on/off/dimming/photosensing / L3: up to 40FT, L4: up to 8FT
SENSOR-PH-PB-U*	Button Style Photocell
CONTROL-LVFA*	AVI-ON Bluetooth Mesh Control System
REMOTE-RC100	Handheld Remote Commissioning Tool for SENSOR-819-D1/D2 Only, 823 Series

*see page 6 for sensor and EMB spec

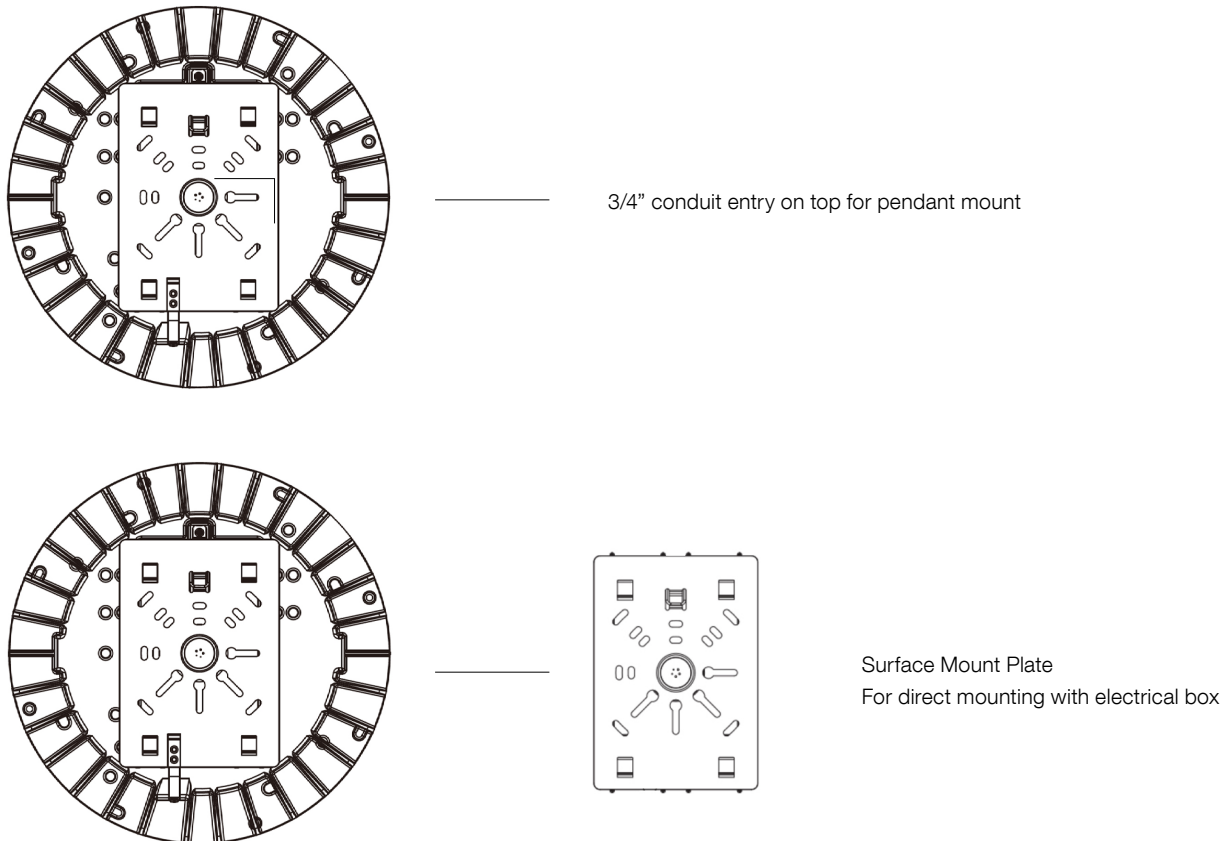
CPR SERIES GARAGE LIGHT

DIMENSIONS

Power	L	W	H
CPR-30 / 45 / 60W	ø 12.00" (305mm)	ø 12.00" (305mm)	3.32" (84mm)
CPR-90W	ø 13.03" (331mm)	ø 13.03" (331mm)	3.15" (80mm)



MOUNTING OPTIONS





CPR SERIES GARAGE LIGHT

PERFORMANCE DATA

SYSTEM WATTS	VOLTAGE	4000K		5000K		QTY ON PALLET
		LUMENS	LPW	LUMENS	LPW	
30W	120-277V	3500	117	3600	120	252
45W	120-277V	4900	109	5000	111	252
60W	120-277V	7000	117	7100	118	252
90W	120-277V	11,400	127	11600	129	252

DLC CODE

Part Number	DLC Part Number	DLC Class
CPR - 30 40 F - XX DB UD	OEM Part #: MCP0330W27V40K[D,B,W][Blank,M]DPG Product ID: PP00SZ4E	Premium
CPR - 30 50 F - XX DB UD	OEM Part #: MCP0330W27V50K[D,B,W][Blank,M]DPG Product ID: PLVRD2UM	Premium
CPR - 45 40 F - XX DB UD	OEM Part #: MCP0345W27V40K[D,B,W][Blank,M]DPG Product ID: P7CTXD6U	Premium
CPR - 45 50 F - XX DB UD	OEM Part #: MCP0345W27V50K[D,B,W][Blank,M]DPG Product ID: PO3ONHCS	Premium
CPR - 60 40 F - XX DB UD	OEM Part #: MCP0360W27V40K[D,B,W][Blank,M]DPG Product ID: PYAVK23P	Premium
CPR - 60 50 F - XX DB UD	OEM Part #: MCP0360W27V50K[D,B,W][Blank,M]DPG Product ID: P4ZLXESV	Premium
CPR - 90 40 F - XX DB UD	OEM Part #: MCP0390W27V40K[D,B,W][Blank,M]DPG Product ID: PUY6RREE	Premium
CPR - 90 50 F - XX DB UD	OEM Part #: MCP0390W27V50K[D,B,W][Blank,M]DPG Product ID: PR7486Q9	Premium

CPR SERIES GARAGE LIGHT

SENSOR SPEC

Model	Type	Mounting	Coverage	Input	Function	Programmable
SENSOR-819-O1	PIR	L1 - 20FT L2 - 40FT	30FT radius 30FT radius	Universal	On/Off	-
SENSOR-819-D1	PIR	L1 - 20FT L2 - 40FT	30FT radius 30FT radius	Universal	On/Off/Dimming	REMOTE-RC100
SENSOR-BLE-819 (see page 8 for detail)	PIR	L1 - 20FT	30FT radius	Universal	Bluetooth Mesh On/Off/Dimming Daylight Harvesting	ALS Control Bluetooth Mobile App
SENSOR-823	PIR	L3 - 40FT L4 - 8FT	30FT radius 24FT radius	Universal	On/Off/Dimming	REMOTE-RC100
SENSOR-PH-PB-U	-	-	-	Universal	Dusk-to-Dawn Control	-
CONTROL-LVFA (see page 7 for detail)	Fixture Controller	-	-	12V DC	Bluetooth Mesh On/Off/Dimming Scheduling	AVI-ON Bluetooth Mobile App



SENSOR-819-O
SENSOR-819-D
SENSOR-BLE-819



SENSOR-823



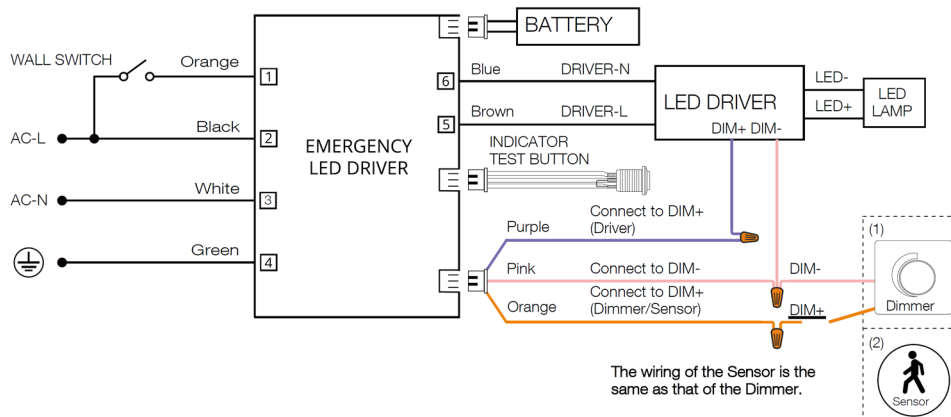
SENSOR-PH-PB-U



CONTROL-LVFA

EMB SPEC

Model	Battery Capacity	Input	Output	Output Power	Operating Temp	Installation
EMB-8W	90mins	100-347VAC	170VDC	8W	0°C ~ 50°C 32°F ~ 122°F	Field Install Factory Install



CONTROL-LVFA SPEC

Status LEDs & Config Button

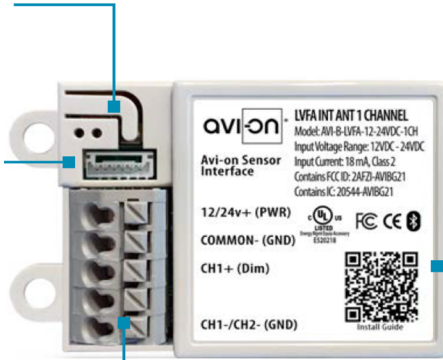
Quick and easy validation of wiring and network

Direct Connect™ Sensor Port

Simple and cost-effective addition to Avi-on sensors

Terminal Blocks & Mounting Tabs

Faster, easier and lower cost installation eliminating connectors



Internal Antenna

Improved performance and eliminates risk of accidentally cutting a hanging wire

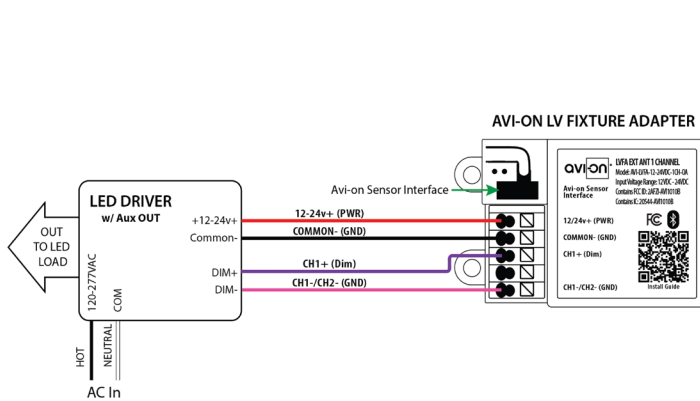
SPECIFICATIONS

INPUT VOLTAGE: 12-24VDC
CURRENT: 15mA without a Sensor
 19mA with a DC PIR Sensor
 48mA with a DC Microwave Sensor
0-10V DIMMING: 12-24VDC
SIZE: 2.30in x 1.43in x 0.75in
 (58.2mm x 36.4mm x 19mm)
MOUNTING: Removable mounting tabs
WEIGHT: 0.45 oz (16g)
OPERATING TEMP: -22°F to +158°F (-30°C to + 70°C)

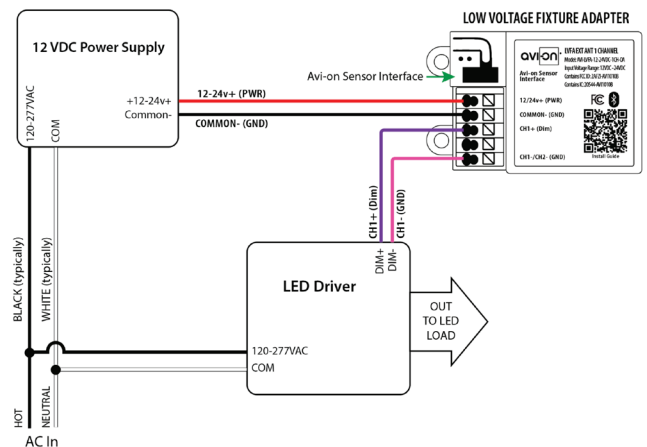
RADIO FREQUENCY: 2.4GHz
WIRELESS STANDARD: BLE 4.2 with Mesh
POINT TO POINT RANGE*: 80ft with obstructions
 350ft unobstructed
SECURITY: AES 128-bit encryption for device to device communication
 AES 256-bit encryption for device to cloud communication
WARRANTY: 5 years; 10 years optional
REGULATORY: FCC: 2AFZI-AVI1010 B
 IC: 20544-AVI1010 B
 BQB: D031801, DID: 86303
 UL 916, 2043 (Plenum Rated)

*When communicating through the mesh, range is essentially unlimited (5000ft+)

WIRING DIAGRAM



Fixture adapter powered by LED driver auxiliary output



Fixture adapter connected to LED driver and using power supply



SENSOR-BLE-819 BLUETOOTH PIR SENSOR

Client:
Project:
Type:
Quantity:

FEATURE

- **Installation:** Factory or Field Install End Mount to Fixture
- **Commissioning:** Wirelessly through ALS Control Mobile App (iOS / Android)
- **Certification:** DLC 5.1 Networked Lighting Control System
- **Control:** Hold time, High-Low setting, continuous Bi-level dimming, Code-compliant manual-on or auto-off capability
- **Sensor:** Motion (Occupancy/Vacancy/Manual) and Daylight Harvesting
- **Room and Zone Control:** Zoning and Grouping control, Scheduling

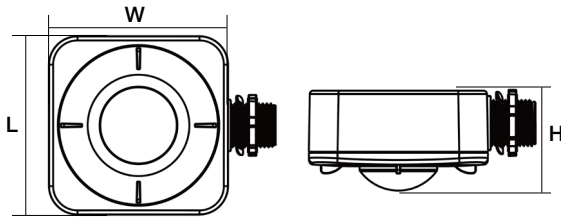


SPECIFICATIONS

SENSOR TYPE: Passive Infrared Sensor (PIR)
WIRELESS STANDARDS: Bluetooth SIG Mesh
INPUT VOLTAGE: 120/277VAC
CONTROL OUTPUT: 0-10V
OPERATING TEMP: -40°F ~ +167°F (-40°C ~ +75°C)

COMMISSIONING RANGE: 50FT
BLUETOOTH RANGE: Integral antenna up to 100FT
DETECTION ANGLE: Vertical 90° x Horizontal 360°
MOUNTING HEIGHT: 8 - 40FT
WARRANTY: 5 years
IP RATING: IP20 Damp

DIMENSIONS



L	W	H
3.19" (81mm)	4.02" (102mm)	1.70" (43.3mm)

COVERAGE PATTERNS

