



# FD SERIES COMPACT FLOOD LIGHT

Client:  
Project:  
Type:  
Quantity:

### CONSTRUCTION

Rugged die-cast aluminum housing, internal venting fins create optimal heat dissipation and allow water to drain from the face of the luminaire.  
Body designed with visor trim provide optimal cutoff, used as general flood lighting or up lighting.

### OPTICS

Impact resistant temper glass lens gasketed and sealed with body, maximizing protection of LED against water and dust.  
Integral reflector offers NEMA 7H x 7V distribution.

### ELECTRICAL

80+ CRI Lumileds LED.  
-40°C up to 55°C (-40°F up to 131°F) maximum operating temperature.  
Long-life 56,000hr LED at L70.  
Driver operates at 120-277V input, 50/60Hz.  
<20% THD, 0.9 power factor.  
DC photocell included on fixture

### CONTROL (OPTIONAL)

CONTROL-XFAC AVI-ON Bluetooth Zone Controller Adapter

### MOUNTING

15W / 27W / 40W / 65W models  
Standard with 1/2" x 14 NPS threaded adjustable knuckle mount  
Optional Yoke mounting available (sold separately)

90W / 120W models  
Standard with 2-3/8" slipfitter mount  
Optional Trunnion mount (sold separately)

### STANDARD FINISH

Corrosion resistant Dark Bronze powder coating finish.

### CERTIFICATION

Meets Buy America Act requirements.  
IP66 Wet location label standard.  
All luminaires are built to UL1598 standards and bear appropriate cULus labels.  
DLC® Premium (DesignLights Consortium Qualified)

### WARRANTY

5 year warranty, see Limited Warranty for additional information.



FD Knuckle mount



FD Yoke mount

### SHIPPING DATA

Product	Measurement	Weight
FD-15	9"L x 8"W x 3"H	3 lb
FD-27	9"L x 8"W x 3"H	3 lb
FD-40	9"L x 8"W x 3"H	3 lb
FD-65	11"L x 9"W x 3"H	6 lb
FD-90	17"L x 9"W x 4"H	8 lb
FD-120	20"L x 11"W x 4"H	10 lb



**FD SERIES COMPACT FLOOD LIGHT**

**ORDER INFORMATION** **EXAMPLE: FD 27 50 77 YM DB U P**

Fixture	Series	Power & LM	CCT	Distribution	Mounting	Finish	Input
	<b>FD</b>			<b>77</b>		<b>DB</b>	

Accessories  
Options

**A SERIES**

FD Compact Flood Light

**B POWER & LM** **B1 POWER & LM**

Code	Power	LM		Code	Power	LM
<b>15</b>	15W	2,100		<b>40</b>	40W	5,800
<b>27</b>	27W	3,600		<b>65</b>	65W	8,900
<b>40</b>	40W	5,800		<b>85</b>	85W	13,500
<b>65</b>	65W	8,900		<b>120</b>	120W	18,000
<b>90</b>	90W	13,500				
<b>120</b>	120W	18,000				

**C CCT (SELECTABLE)** **C1 CCT**

SC 3000K / 4000K / 5000K Selectable		50 5000K
-------------------------------------	--	----------

**D DISTRIBUTION**

77 NEMA 7H x 7V

**E MOUNTING** **E1 MOUNTING**

<p>15W / 27 / 40 / 65W</p> <p><b>KN</b> 1/2" Knuckle Mount (Standard for 15W / 27W / 40W / 65W)</p> <p><b>YM</b> Yoke Mount (Option for 15W / 27W / 40W / 65W)</p> <p>90W / 120W</p> <p><b>SF</b> 2-3/8" Slipfitter Mount (Standard for 90W / 120W)</p> <p><b>TR</b> Trunnion Mount (Option for 90W / 120W)</p>	<p>40W / 65W</p> <p><b>KN</b> 1/2" Knuckle Mount (Standard for 40W / 65W)</p> <p><b>YM</b> Yoke Mount (Option for 40W / 65W)</p> <p>85W / 120W</p> <p><b>SF</b> 2-3/8" Slipfitter Mount (Standard for 85W / 120W)</p> <p><b>TR</b> Trunnion Mount (Option for 85W / 120W)</p>
---	---

**F FINISH**

DB Dark Bronze

**G INPUT** **G1 INPUT**

U-P 120-277V, On / Off Photocell with Cap		U 120-277V
---	--	------------

**H ACCESSORIES/OPTIONS**

**AIA** Assembled in America, compliant with BAA (COTS)  
**CONTROL-XFAC\*** AVI-ON Bluetooth Zone Controller Adapter

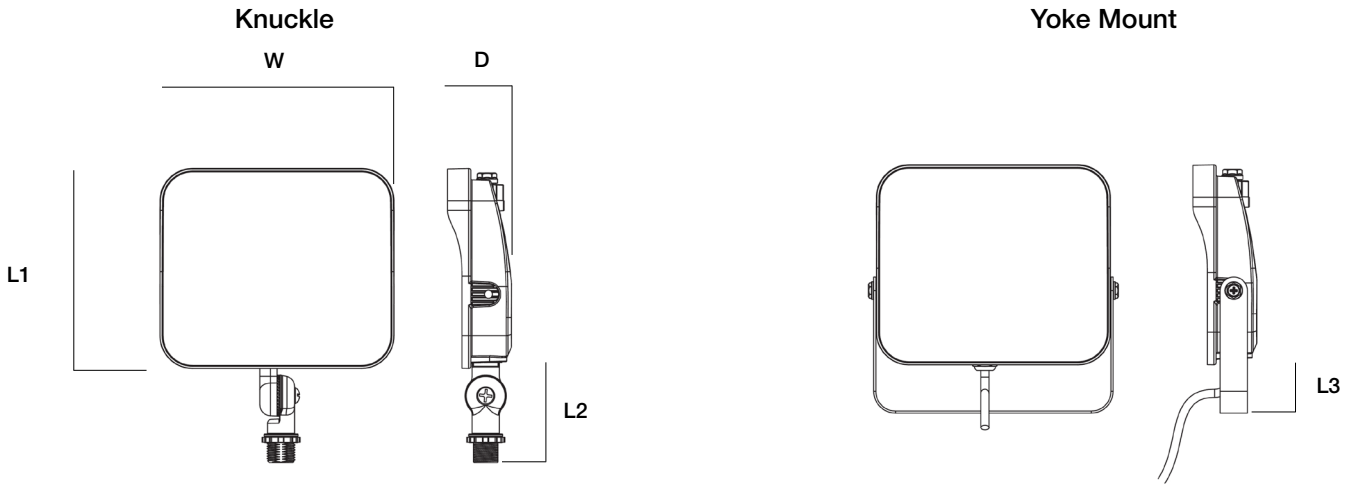
\*see page 5 for sensor spec

**FD SERIES COMPACT FLOOD LIGHT**

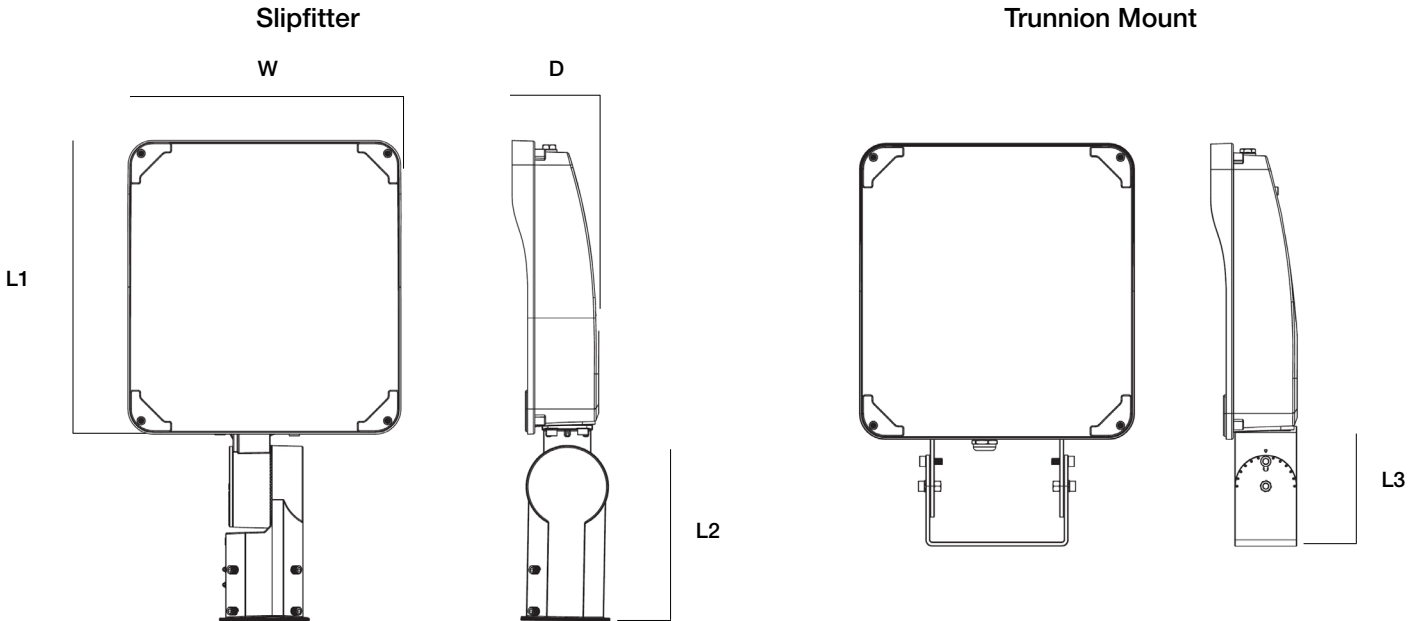
**DIMENSIONS**

Model	L1	L2	L3	W	D	EPA
FD-15SC / 27SC	5.80" (147mm)	2.72" (69mm)	1.38" (35mm)	6.80" (172mm)	1.90" (47mm)	0.33 ft <sup>2</sup>
FD-40SC / 65SC	7.70" (197mm)	2.64" (67mm)	1.73" (44mm)	8.10" (207mm)	2.00" (52mm)	0.43 ft <sup>2</sup>
FD-40 / 65	7.70" (197mm)	2.64" (67mm)	1.73" (44mm)	8.10" (207mm)	2.00" (52mm)	0.43 ft <sup>2</sup>
FD-90SC / 120SC	11.30" (286mm)	7.09" (180mm)	4.09" (104mm)	10.40" (266mm)	3.30" (84mm)	0.82 ft <sup>2</sup>
FD-85 / 120	8.90" (226mm)	7.09" (180mm)	4.09" (104mm)	8.10" (206mm)	3.70" (94mm)	0.45 ft <sup>2</sup>

**FD-15SC / 27SC / 40SC / 65SC  
 FD-40 / 65**



**FD-90SC / 120SC  
 FD-85 / 120**



## FD SERIES COMPACT FLOOD LIGHT

### PERFORMANCE DATA

SYSTEM WATTS	VOLTAGE	DIST. TYPE	3000K		4000K		5000K	
			LUMENS	LPW	LUMENS	LPW	LUMENS	LPW
15W SC Model	120-277V	77	2055	137	2295	153	2100	140
27W SC Model	120-277V	77	3510	130	3807	141	3591	133
40W SC Model	120-277V	77	5720	143	6000	150	5800	145
40W 5000K	120-277V	77	-	-	-	-	5800	145
65W SC Model	120-277V	77	9230	142	9685	149	9425	145
65W 5000K	120-277V	77	-	-	-	-	9425	145
85W 5000K	120-277V	77	-	-	-	-	12495	147
90W SC Model	120-277V	77	13410	149	14490	161	13500	150
120W SC Model	120-277V	77	17520	146	18960	158	18000	150
120W 5000K	120-277V	77	-	146	-	-	18000	150

### DLC CODE

Part Number	DLC Part Number	DLC Class
FD - 15 SC 77 - XX DB UD	OEM DLC: MFD1115W27VDDK[B,D,W][P,Blank][KN,TR]B77[Blank,X] Product ID: PT4PYDJX	Premium
FD - 27 SC 77 - XX DB UD	OEM DLC: MFD1127W27VDDK[B,D,W][P,Blank][KN,TR]B77[Blank,X] Product ID: P9BWWTMS	Premium
FD - 40 SC 77 - XX DB UD	OEM DLC: MFD1140W27VDDK[B,D,W][P,Blank][KN,TR]B77[Blank,X] Product ID: PC11QQFF	Premium
FD - 65 SC 77 - XX DB UD	OEM DLC: MFD1165W27VDDK[B,D,W][P,Blank][KN,TR]B77[Blank,X] Product ID: P9NOUWAK	Premium
FD - 90 SC 77 - XX DB UD	OEM DLC: MFD1190W27VDDK[B,D,W][P,Blank][YK,SP]B77[Blank,X] Product ID: PZOIV75A	Premium
FD - 120 SC 77 - XX DB UD	OEM DLC: MFD11120W27VDDK[B,D,W][P,Blank][YK,SP]B77[Blank,X] Product ID: PB3BAG06	Premium

**FD SERIES COMPACT FLOOD LIGHT**

**SENSOR SPEC**

Model	Type	Mounting	Coverage	Input	Function	Programmable
CONTROL-XFAC (see page 6 for detail)	Fixture Controller	-	-	100-277VAC	Bluetooth On/Off/Dimming Scheduling	AVI-ON Bluetooth Mobile App



CONTROL-XFAC

**FD SERIES COMPACT FLOOD LIGHT**

**CONTROL-XFAC SPEC**

**Status LEDs & Config Button**  
 Quick and easy validation of wiring and network

**General Sensor Input Port**  
 24V DC power and contact closure Input for standard motion sensors

**Direct Connect™ Sensor Port**  
 Simple power and communications to Avi-on Sensors

**Energy Consumption Monitoring**  
 0.5% Accurate measured 15 minute energy consumption

**SPECIFICATIONS**

<b>INPUT VOLTAGE:</b>	100-277VAC	<b>RADIO FREQUENCY:</b>	50/60Hz
<b>CURRENT:</b>	MIN: 20 / 14mA MAX: 81 / 46mA	<b>RELAY CURRENT:</b>	16A
<b>0-10V DIMMING:</b>	100-277VAC	<b>PROTECTION/IMMUNITY:</b>	LEVEL 4
<b>SIZE:</b>	3.58" x 3.58" x 1.57" (91mm x 91mm x 40mm)	<b>AMPERAGE FOR 0-10V LINES:</b>	Contact Discharge: ± 8kV Air Discharge: ±12kV 325mA / CH
<b>STORAGE TEMP:</b>	-40°F to + 185°F (-40°C to + 85°C)	<b>WARRANTY:</b>	5 years
<b>OPERATING TEMP:</b>	-4°F to + 113°F (-20°C to + 45°C)	<b>REGULATORY:</b>	FCC: 2AFZI-AVIBG21 IC: 20544-AVBG21 BQB: D059595, DID: 185220 UL 924, 2043

**WIRING DIAGRAM**

