



AL4 SERIES AREA LIGHT

Client:
Project:
Type:
Quantity:

CONSTRUCTION

Rugged die-cast aluminum housing with hinged, die-cast aluminum door.
Low profile, 3G vibration rated compact design minimizes wind load requirements.
Housing is completely sealed against moisture and dusty.

OPTICS

UV-resistant polycarbonate optics, available in Type II, III, IV, V distributions.
Full cutoff when mounted with non-adjustable SR Mount or at 0 degrees tilt with adjustable Slipfitter or Trunnion Mount. Optics is precisely designed to shape the distribution, maximizing efficiency and application spacing.

ELECTRICAL

70+ CRI Lumileds LED.
-40°C up to 50°C (-40°F up to 122°F) maximum operating temperature.
Long-life 120,000 hr LED at L70 @ 40°C.
Driver operates at 120-277V input, 0-10V dimmable driver, down to 10%.
50/60Hz, <20% THD, 0.9 power factor.
Optional 3000K - made to order. Optional 347/480V input. Optional 10kV surge protection.
Optional dimming sensor for occupancy and ambient light level detection.

SENSORS (OPTIONAL)

SENSOR-BLE-619 Integral PIR ALS Control bluetooth/on/off/dimming/photosensing.
SENSOR-823 Integral PIR on/off/dimming/photosensing.
SENSOR-820 Integral PIR on/off/dimming/photosensing.
SENSOR-PH-PB-U Integral button style photocell.
SENSOR-PH-PT-U/UD/HD Twist lock dimming/non-dimming photocontrol.
CONTROL-AVI-LVFA AVI-ON Bluetooth Mesh Controller.

MOUNTING

Non-adjustable pole mount bracket (SR) suitable for both round and square pole.
Optional slipfitter for 2-3/8" tenon (SF), non-adjustable wall mount (WM), adjustable trunnion mount (TR) and tilt-able pole mount bracket (SRT).

STANDARD FINISH

Corrosion resistant Dark Bronze powder coating finish.

CUSTOM FINISH

Corrosion resistant Black, Graphite Metallic, Gray, Silver, White, Custom RAL#.

CERTIFICATION

IP65 Wet location label standard.
Meets Buy America Act requirements.
IDA compliant: with 3000K color temperature selection.
All luminaires are built to UL1598 standards and bear appropriate cULus labels.
DLC® Premium (DesignLights Consortium Qualified) listed.

WARRANTY

5 year warranty, see Limited Warranty for additional information.



250/300W w/Pole Mount



100W



150 / 200W

SHIPPING DATA

Product	Measurement	Weight
AL4-100	14"L x 11"W x 3"H	9 lb
AL4-150/200	15"L x 12"W x 3"H	9 lb
AL4-250/300	24"L x 13"W x 3"H	17 lb



AL4 SERIES AREA LIGHT

ORDER INFORMATION **EXAMPLE : AL4 100 40 T3 DB UNVD**

Fixture	Series	Power & LM	CCT	Distribution	Finish	Input
	AL4					

A SERIES

AL4	Area Light
------------	------------

B POWER & LM

Code	Power	LM	Code	Power	LM
100*	100W	14,200	250*	250W	35,000
150*	150W	21,000	300*	300W	42,000
180*	180W	25,000	<i>*Dialable lumen output consult factory</i>		

C CCT

30*	3000K	50	5000K
40	4000K	<i>*Made to order consult factory for lead time</i>	

D DISTRIBUTION

T3	Type III	T5	Type V
T4	Type IV		

E FINISH

Standard							
DB	Dark Bronze						
Custom Color							
CC	BK	Black	GM	Graphite Metallic	GR	Gray	
	SV	Silver	WH	White	RAL#		

F INPUT

UNVD	120-277V, 1-10V Dimmable	HVLD	347V, 480V, 1-10V
-------------	--------------------------	-------------	-------------------

AL4 SERIES AREA LIGHT

ORDER INFORMATION (CONTINUED)

Mounting

**Accessories
Options**

G MOUNTING

MOUNT-AL4-SF	Slipfitter	MOUNT-AL4-TR	Trunnion Mount
MOUNT-AL4-SR	Square/Round Pole Non-Adjustable	MOUNT-AL4-WM	Wall Mount
MOUNT-AL4-SRT	Square/Round Pole Tilt-able		

H ACCESSORIES/OPTIONS

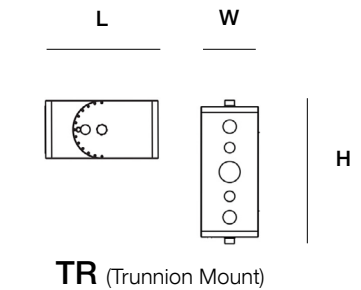
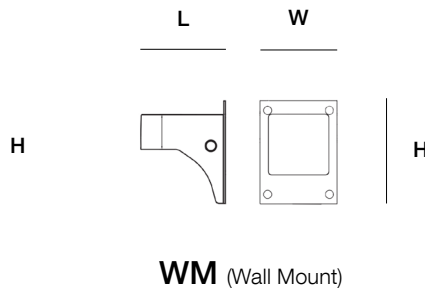
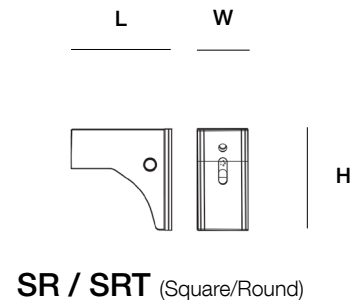
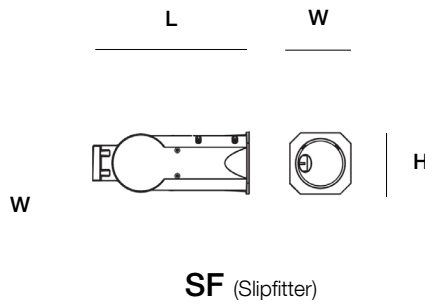
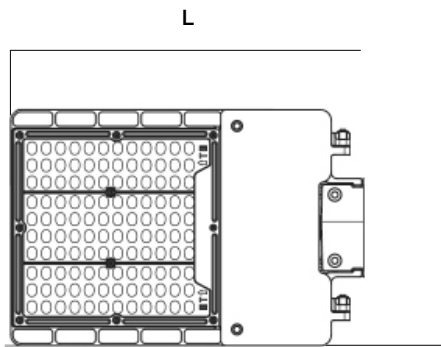
AIA	Assembled in America, compliant with BAA (COTS)
SENSOR-BLE-619-L3 / L4*	Integral PIR Bluetooth Daylight Sensor (ALS Control Mobile App) / L3: up to 40FT, L4: up to 8FT
SENSOR-PH-PB-U*	Button Style Photocell
SENSOR-PH-PT-U / UD / HD*	Twist Lock Photocell / U: 120-277V, UD: 120-277V, HD: 480V input
SENSOR-823-L3 / L4*	Integral PIR on/off/dimming/photosensing / L3: up to 40FT, L4: up to 8FT
SENSOR-820*	Integral PIR on/off/dimming/photosensing
REMOTE-RC100	Handheld Remote Commissioning Tool for SENSOR-ANT, 823, 820 Series
SURGE-LSP4-U / H	10kV inline Surge Protection for Universal input / U: 120-277V, H: 480V input
CONTROL-AVI-LVFA*	AVI-ON Bluetooth Mesh Control System

*see page 6 for sensor spec

AL4 SERIES AREA LIGHT

DIMENSIONS

Model	L	W	H
AL4-100	12.63" (321mm)	9.25" (235mm)	2.46" (63mm)
AL4-150 / 180	14.11" (358mm)	11.69" (297mm)	2.46" (63mm)
AL4-250 / 300	23.3" (592mm)	12.23" (311mm)	2.46" (63mm)
Bracket - SF	8.47" (215mm)	3.35" (85mm)	3.35" (85mm)
Bracket - SR / SRT	6.95" (176mm)	3.55" (90mm)	6.97" (177mm)
Bracket - WM	6.59" (168mm)	5.98" (152mm)	7.99" (203mm)
Bracket - TR	7.20" (183mm)	7.40" (188mm)	2.87" (73mm)



EPA (ft²)

Mounting Option	Single	2 @ 90°	2 @ 120°	2 @ 180°	3 @ 90°	3 @ 120°	4 @ 90°
100W	0.275	0.527	0.732	0.616	0.958	0.984	0.958
150W / 180W	0.311	0.634	0.646	0.622	0.934	0.970	0.934
250W / 300W	0.410	0.723	0.992	0.886	1.199	1.305	1.197

AL4 SERIES AREA LIGHT

PERFORMANCE DATA

SYSTEM WATTS	VOLTAGE	DIST.TYPE	4000K		5000K	
			LUMENS	LPW	LUMENS	LPW
100W	120-277V	III	14100	141	14100	141
	120-277V	IV	14000	140	13900	139
	120-277V	V	14200	142	14200	142
150W	120-277V	III	21000	140	21000	140
	120-277V	IV	20500	137	20500	137
	120-277V	V	21000	140	21000	140
180W	120-277V	III	25000	139	25000	139
	120-277V	IV	25000	139	25000	139
	120-277V	V	26000	144	26000	144
250W	120-277V	III	35000	140	35000	140
	120-277V	IV	35000	140	35000	140
	120-277V	V	36000	144	36000	140
300W	120-277V	III	42000	140	42000	140
	120-277V	IV	41000	137	41000	137
	120-277V	V	42000	140	42000	140

DLC CODE

Part Number	DLC Product ID	DLC Class
AL4-100 40 T3 - XX UNVD (UD) / HVL (HD) AL4-100 50 T3 - XX UNVD (UD) / HVL (HD)	PIJNBXIX / P87LBAOO POHWR89B / PVFYO3DD	Premium Premium
AL4-100 40 T4 - XX UNVD (UD) / HVL (HD) AL4-100 50 T4 - XX UNVD (UD) / HVL (HD)	PQDYSA0Y / PX6QX6MG PVS4NSFE / PXQ2WNYL	Premium Premium
AL4-100 40 T5 - XX UNVD (UD) / HVL (HD) AL4-100 50 T5 - XX UNVD (UD) / HVL (HD)	PD00ZHF1 / PH35OWD5 PNRG8OP5 / PR2D2SAY	Premium Premium
AL4-150 40 T3 - XX UNVD (UD) / HVL (HD) AL4-150 50 T3 - XX UNVD (UD) / HVL (HD)	PJPCGWBB / PP5VPS39 PDMP5KSX / PCE8MAPY	Premium Premium
AL4-150 40 T4 - XX UNVD (UD) / HVL (HD) AL4-150 50 T4 - XX UNVD (UD) / HVL (HD)	PNRQ7I9D / PY9JVSFJ PM7LUL6C / PIFV1EA3	Premium Premium
AL4-150 40 T5 - XX UNVD (UD) / HVL (HD) AL4-150 50 T5 - XX UNVD (UD) / HVL (HD)	PTQ1KQT9 / P3R10X5Z PN2V984O / PMOG95AC	Premium Premium
AL4-180 40 T3 - XX UNVD (UD) / HVL (HD) AL4-180 50 T3 - XX UNVD (UD) / HVL (HD)	Pending Update	Premium Premium
AL4-180 40 T4 - XX UNVD (UD) / HVL (HD) AL4-180 50 T4 - XX UNVD (UD) / HVL (HD)	Pending Update	Premium Premium
AL4-180 40 T5 - XX UNVD (UD) / HVL (HD) AL4-180 50 T5 - XX UNVD (UD) / HVL (HD)	Pending Update	Premium Premium
AL4-300 40 T3 - XX UNVD (UD) / HVL (HD) AL4-300 50 T3 - XX UNVD (UD) / HVL (HD)	PZML9NFB / PHW7R7HF PO9M4LEU / PW3YP99N	Premium Premium
AL4-300 40 T4 - XX UNVD (UD) / HVL (HD) AL4-300 50 T4 - XX UNVD (UD) / HVL (HD)	PZML9NFB / PHW7R7HF P89X9RPQ / P4CEZGTP	Premium Premium
AL4-300 40 T5 - XX UNVD (UD) / HVL (HD) AL4-300 50 T5 - XX UNVD (UD) / HVL (HD)	P1UW56XP / P9JHZ2RX POD8QQCH0 / PAYF2RL2	Premium Premium

AL4 SERIES AREA LIGHT

SENSOR SPEC

Model	Type	Mounting	Coverage	Input	Function	Programmable
SENSOR-823	PIR	L3 - 40FT L4 - 8FT	30FT radius 24FT radius	Universal	On/Off/Dimming	REMOTE-RC100
SENSOR-820	PIR	up to 40FT	30FT radius	100 ~ 480V	On/Off/Dimming Daylight Harvesting	REMOTE-RC100
SENSOR-PH-PB-U	-	-	-	Universal	Dusk-to-Dawn Control	-
SENSOR-PH-PT-U SENSOR-PH-PT-UD SENSOR-PH-PT-HD	-	-	-	Universal 277 ~ 480V	Dusk-to-Dawn Control	-
CONTROL-AVI-LVFA (see page 7 for detail)	Fixture Controller	-	-	12V DC	Bluetooth Mesh On/Off/Dimming Scheduling	AVI-ON Bluetooth Mobile App
SENSOR-BLE-619 (see page 8 for detail)	PIR	L3 - 40FT L4 - 8FT	30FT radius 24FT radius	12V DC	Bluetooth Mesh On/Off Daylight	ALS Control Bluetooth Mobile App



SENSOR-823



SENSOR-820



SENSOR-PH-PB-U



SENSOR-PH-PT-U/UD/HD



CONTROL-AVI-LVFA



SENSOR-BLE-619

AL4 SERIES AREA LIGHT

CONTROL-AVI-LVFA SPEC

Status LEDs & Config Button

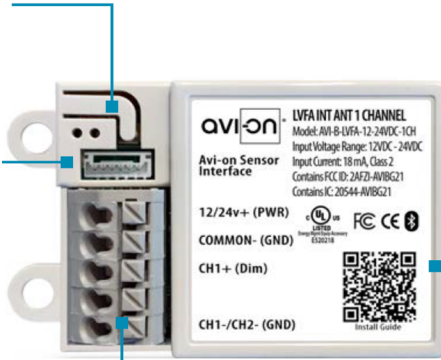
Quick and easy validation of wiring and network

Direct Connect™ Sensor Port

Simple and cost-effective addition to Avi-on sensors

Terminal Blocks & Mounting Tabs

Faster, easier and lower cost installation eliminating connectors



Internal Antenna

Improved performance and eliminates risk of accidentally cutting a hanging wire

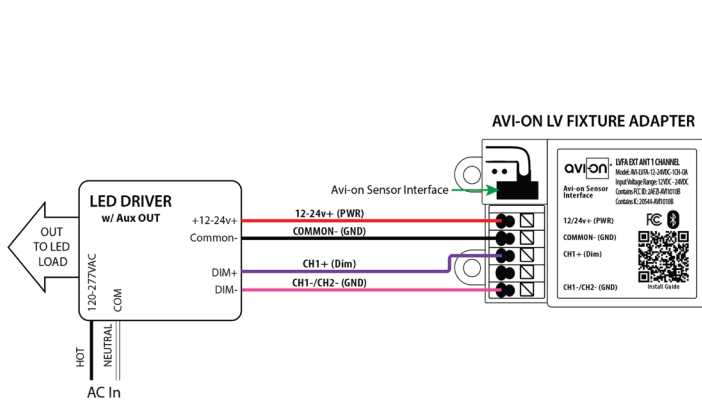
SPECIFICATIONS

INPUT VOLTAGE: 12-24VDC
CURRENT: 15mA without a Sensor
 19mA with a DC PIR Sensor
 48mA with a DC Microwave Sensor
0-10V DIMMING: 12-24VDC
SIZE: 2.30in x 1.43in x 0.75in
 (58.2mm x 36.4mm x 19mm)
MOUNTING: Removable mounting tabs
WEIGHT: 0.45 oz (16g)
OPERATING TEMP: -22°F to +158°F (-30°C to + 70°C)

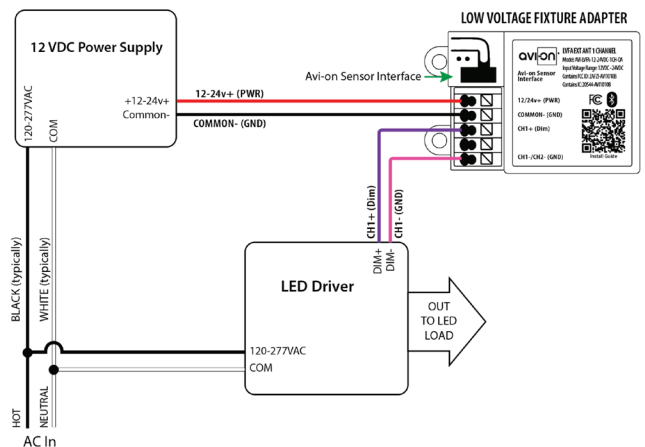
RADIO FREQUENCY: 2.4GHz
WIRELESS STANDARD: BLE 4.2 with Mesh
POINT TO POINT RANGE*: 80ft with obstructions
 350ft unobstructed
SECURITY: AES 128-bit encryption for device to device communication
 AES 256-bit encryption for device to cloud communication
WARRANTY: 5 years; 10 years optional
REGULATORY: FCC: 2AFZI-AVI1010 B
 IC: 20544-AVI1010 B
 BQB: D031801, DID: 86303
 UL 916, 2043 (Plenum Rated)

*When communicating through the mesh, range is essentially unlimited (5000ft+)

WIRING DIAGRAM



Fixture adapter powered by LED driver auxiliary output



Fixture adapter connected to LED driver and using power supply

FEATURE

- **Installation:** Factory Install - Sensor integral to fixture, lens external
- **Commissioning:** Wirelessly through ALS Control Mobile App (iOS / Android)
- **Certification:** DLC 5.1 Networked Lighting Control System
- **Control:** Hold time, High-Low setting, continuous Bi-level dimming, manual/auto - on/off
- **Sensor:** Motion (Occupancy/Vacancy/Manual) and Daylight
- **Zone Control:** Zoning and Grouping control, Scheduling

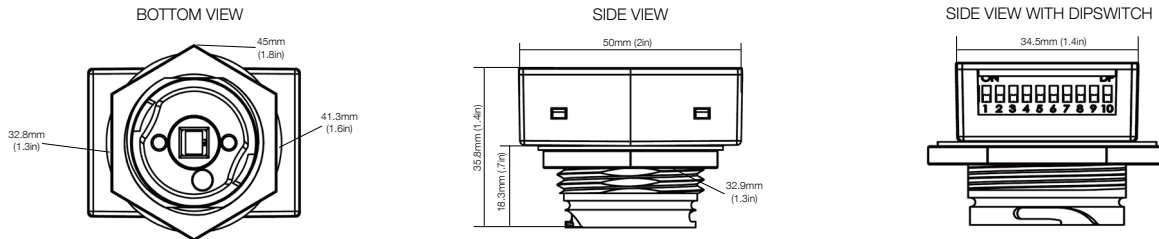


SPECIFICATIONS

SENSOR TYPE: Passive Infrared Sensor (PIR)
WIRELESS STANDARDS: Bluetooth SIG Mesh
INPUT VOLTAGE: 12-24VDC, >50mA
CONTROL OUTPUT: 0-10V
OPERATING TEMP: -40°F ~ +158°F (-40°C ~ +70°C)

COMMISSIONING RANGE: 50FT
BLUETOOTH RANGE: Integral antenna up to 100FT
DETECTION ANGLE: Vertical 90° x Horizontal 360°
MOUNTING HEIGHT: 8 - 40FT
WARRANTY: 5 years
IP RATING: IP65

DIMENSIONS



COVERAGE PATTERNS

