

PLEASE READ AND FOLLOW ALL SAFETY INSTRUCTIONS**SAVE THIS SHEET****To Avoid Risk of Electric Shock and Injury**

- Never attempt any work on the luminaire unless it is disconnected from the power source.
- Any installation and service of the luminaire should be done by a certified electrician.
- Confirm the supply voltage matches the voltage labeled on the luminaire.
- Make sure all electrical and grounded connections are in accordance with the National Electric Code (NEC) and any local codes.
- Make sure all connections are capped with UL-listed wire connectors.
- Allow luminaire to cool down before handling. Never handle luminaire when it is in use.
- Do not exceed the maximum wattage labeled on luminaire.
- Always wear gloves and safety glasses when installing, handling, or performing routine maintenance on the luminaire.
- Do not look directly at the light source when luminaire is on.

To Avoid Risk of Fire and Product Damage

- Keep any combustible material away from the luminaire.
- Do not operate luminaire near any persons, materials, or substances that are sensitive to heat.
- When mounting, make sure wiring is secured from any edges or objects that can damage the wire insulation.
- Do not obstruct ventilation of the luminaire. Do not cover the luminaire with foam or other insulation material that will restrict convection or conduction cooling.
- Only use luminaire at its intended location.
- LED fixtures are sensitive to polarity. Make sure to identify proper polarity before installing.
- Electrostatic Discharge (or ESD) can damage LED luminaire. Make sure to always wear personal grounding equipment when installing or servicing the luminaire.
- Avoid touching individual electrical components, which can cause ESD and will reduce the life and performance of the luminaire.
- Do not power luminaire on and off frequently as this will greatly reduce luminaire's lifespan.
- Always read the luminaire's complete installation instruction sheet before installing luminaire.
- Always inspect the luminaire for damage. DO NOT INSTALL fixture if there is any damage. Contact your distributor or representative where you purchased the luminaire for warranty claim if luminaire is damaged.

To Maintain Luminaire and Ensure Consistent Performance

- **IMPORTANT: Always make sure luminaire is disconnected from power source when performing routine maintenance.**
- Occasionally clean luminaire lens. When cleaning lens, you may dust with soft, dry and clean cloth. You may also use solution of warm water and non-abrasive cleaning agent then wipe with dry cloth. DO NOT USE alkaline or acid cleaners.
- Keep heatsink clear of dust or debris from time to time.
- Maintaining the luminaire on a routine basis is highly recommended.

Failure to follow any of these instructions may void warranty.

Please visit www.alslighting.us to view complete product Terms and Conditions.

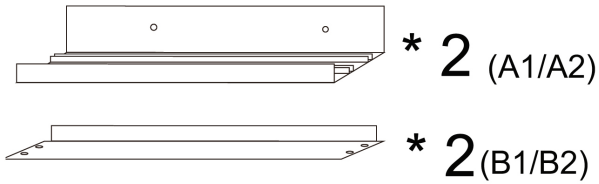
Advantage Lighting Solutions assumes no responsibility for claims arising from improper or careless installation or handling of its products.

Important Safety Instructions

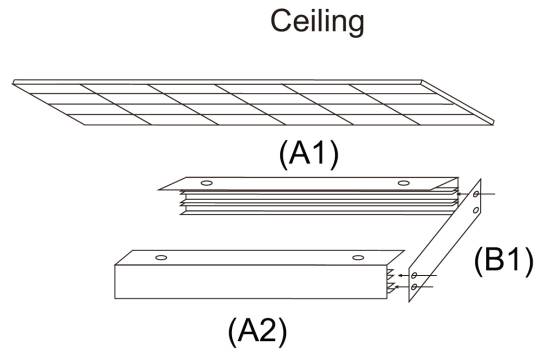
1. Make sure power is turned OFF before installing.
2. Inspect fixture for any damages. If damaged, DO NOT install fixture and contact local ALS distributor immediately.

Installation Instructions

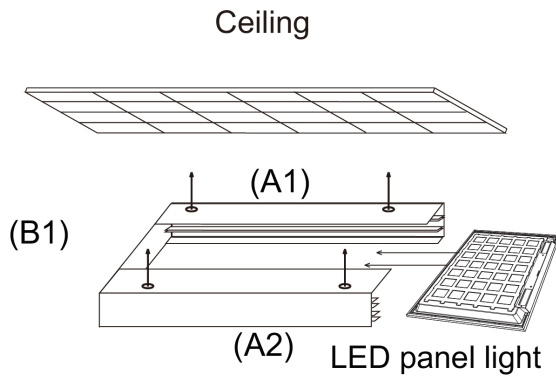
Surface Mount



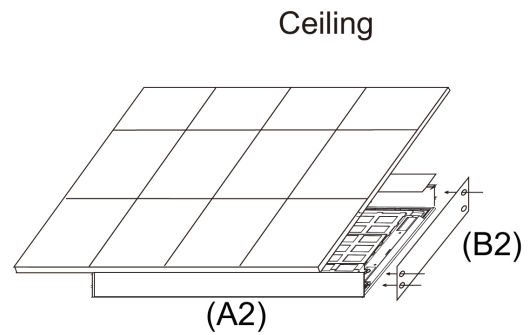
1. Parts A1,A2, B1,B2.



2. First install A1, A2, and B1(as illustrated).



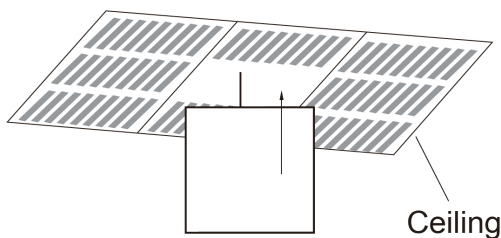
3. As is shown in the figure,fix A1 and A2 on the ceiling or on the roof,and then insert the Back-lit panel light directly (the end with power source enters later).



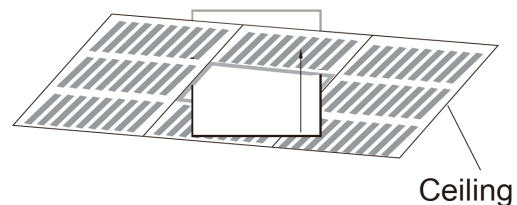
4. Install B2, finish installation.

Installation Instructions

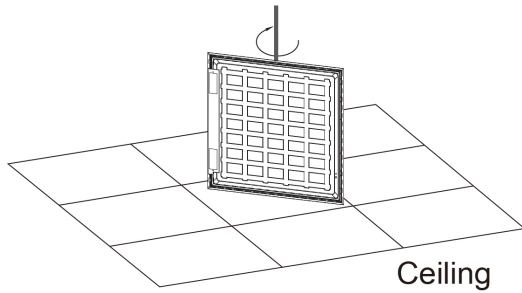
Recessed Mount



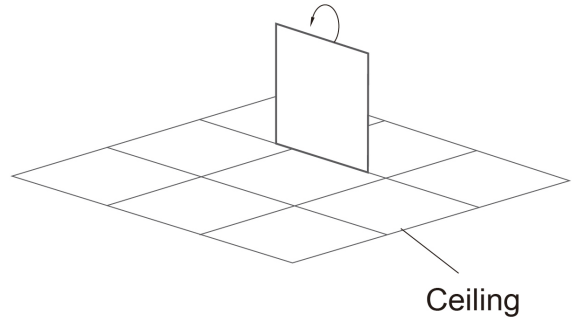
1. Ensure the panel light works well before installation, put the back-lit panel light at a diagonal position.



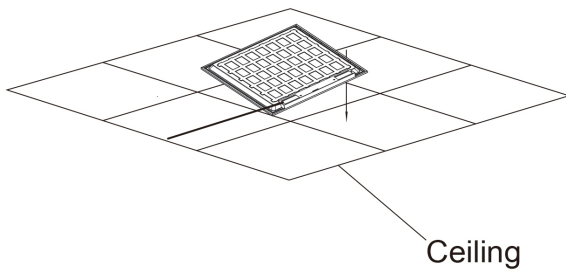
2. Set the driver aside and insert panel light into ceiling.



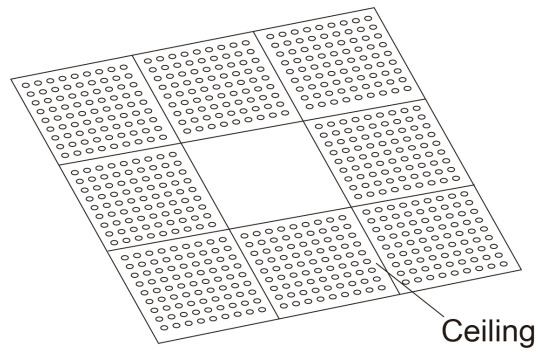
3. Rotate the panel light 45° in horizontal direction to make the front of panel face the ceiling square hole.



4. Rotate the panel light 90° in vertical direction to make it correspond to the recessed frame and be sure the front of the panel is facing the ground.



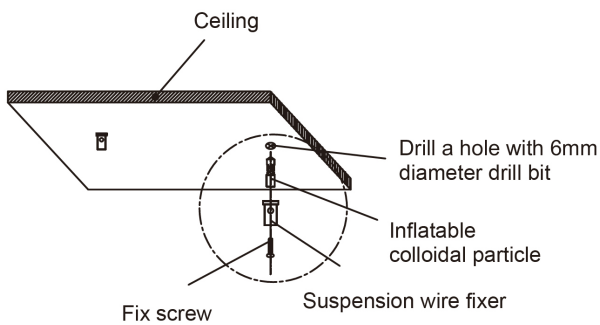
5. Embed the panel light into ceiling. Adjust it to a suitable position to make it flush against the ceiling.



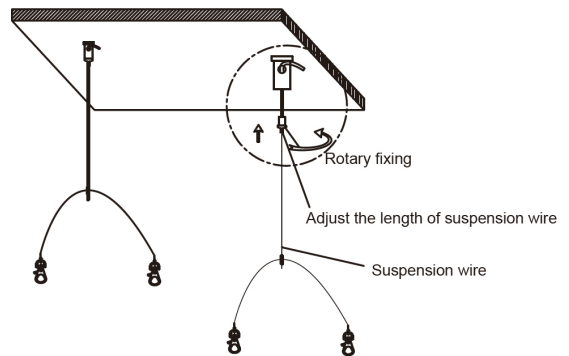
6. Finish installation.

Installation Instructions

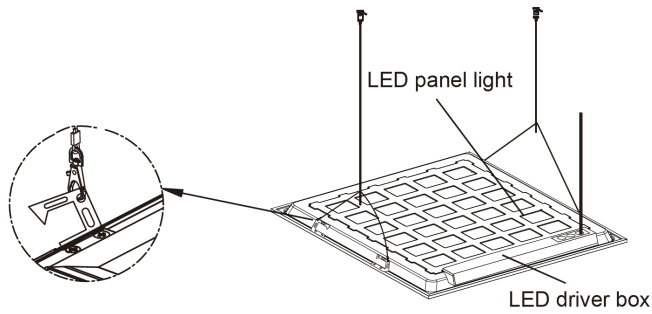
Suspension Mount



1. Fix the suspension wire fixer on the ceiling

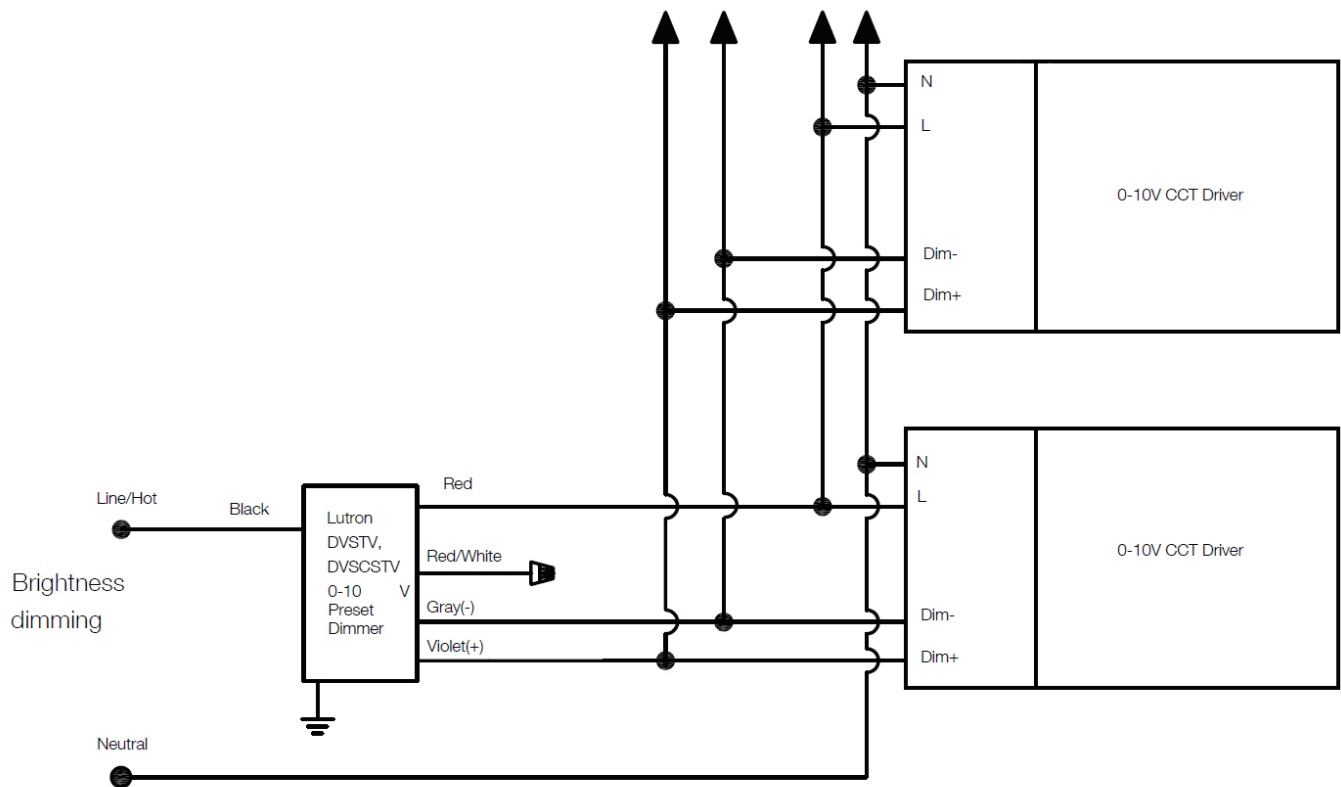


2. Fix the suspension wire on the ceiling



3. Connect LED panel light by the hook of suspension wire.

Tuning / Dimming Mode



Tuning / Dimming Mode

CCT tuning and Brightness dimming by using a wall switch.

Three-step CCT changing	Switch turn ON	Switch turn OFF <div style="border: 1px solid black; padding: 2px; display: inline-block;">Less than 4 seconds</div> Switch turn ON	Switch turn OFF <div style="border: 1px solid black; padding: 2px; display: inline-block;">Less than 4 seconds</div> Switch turn ON	Switch turn OFF <div style="border: 1px solid black; padding: 2px; display: inline-block;">Less than 4 seconds</div> Switch turn ON
Slide Bar	CCT tuning	Brightness dimming	CCT tuning	Brightness dimming

NOTE: If the OFF time is longer than 4 seconds, once switch on again, all the fixtures will be changing CCT by moving the slide bar.