



## SPM SERIES G2 SPORTS LIGHT

Client:  
Project:  
Type:  
Quantity:

### CONSTRUCTION

Sealed die casting body, low profile 3G vibration rated impact design.  
Driver enclosure suitable for remote mounting, is completely sealed against moisture and environmental contaminants. Low wind-load design, light weight, EPA friendly.

### OPTICS

Available in NEMA 3H x 3V and 4H x 4V distribution, optics are precisely designed to shape the distribution, maximizing efficiency and maintain high light level for various sports field application.  
Light engines available in 4000K and 5000K (80+ CRI) configurations.  
Optional: Scalable lumen package from 35,000 to 160,000 lumens.  
Optional: RGB LED (consult factory)

### ELECTRICAL

-40°C minimum to +55°C (-40°F to 131°F) maximum operating temperature.  
RoHS compliant electronic Class I drivers expected life of 150,000 hours.  
>.9 power factor, <20% total harmonic distortion, built-in 10kV surge protector.

### SENSOR (OPTIONAL)

CONTROL-LVFA AVI-ON Bluetooth Mesh Controller.

### MOUNTING

Robust designed yoke mount secured with 3/4" bolt, versatile mounting bracket designed for ease of installation and offers precise horizontal and vertical aiming capability.

### STANDARD FINISH

UV stabilized polyester powder paint finish.

### CERTIFICATION

Wet location label standard.  
Meets Buy America Act requirements.  
All luminaires are built to UL1598 standards and bear appropriate cULus labels.  
DLC® Premium (DesignLights Consortium Qualified)

### WARRANTY

10 year warranty, see Limited Warranty for additional information.



### SHIPPING DATA

Product	Measurement	Weight
SPM-500-G2	30"L x 22"W x 17"H	55 lb
SPM-600-G2	30"L x 22"W x 17"H	55 lb
SPM-850-G2	35"L x 25"W x 22"H	64 lb
SPM-1200-G2	35"L x 25"W x 22"H	72 lb



**SPM SERIES G2 SPORTS LIGHT**

**ORDER INFORMATION** **EXAMPLE : SPM 500 G2 40 44 YM BK UD**

Fixture	Series	Power & LM	CCT	Distribution	Mounting	Finish	Input
	<b>SPM</b>				<b>YM</b>	<b>BK</b>	

Accessories  
Options

**A SERIES**

**SPM** Sports Light

**B POWER & LM**

CODE	POWER	LUMEN	LPW (AVG.)	CODE	POWER	LUMEN	LPW (AVG.)
<b>500-G2</b>	500W	72,000	140	<b>850-G2</b>	850W	120,000	141
<b>600-G2</b>	600W	92,200	153	<b>1200-G2</b>	1200W	160,000	133

**C CCT**

<b>40</b>	4000K	<b>RGB</b>	Red, Green Blue Mixed LED (Made to Order, Consult Factory)
<b>50</b>	5000K		

**D DISTRIBUTION**

<b>33</b>	NEMA 3H x 3V	<b>44</b>	NEMA 4H x 4V
-----------	--------------	-----------	--------------

**E MOUNTING**

**YM** Yoke Mount

**F FINISH**

**BK** Black Finish

**G INPUT**

<b>UD</b>	120-277V input, 1-10V Dimming (500W by Default)
<b>HD</b>	200-480V input, 1-10V Dimming (600/850/1200W by Default)

**H ACCESSORIES/OPTIONS**

<b>blank</b>	Aiming Laser included with fixture
<b>blank</b>	10-year Warranty (Default)
<b>AIA</b>	Assembled in America, compliant with BAA (COTS)
<b>MOUNT-SPM-SF</b>	Yoke mount to Slipfitter adapter
<b>MOUNT-SPM-SBM</b>	Square Beam Bracket
<b>SPM-POLE-BOX</b>	Remote Pole Box
<b>SURGE-LSP4-H</b>	480V 10kV Surge Protector only for 500W
<b>CONTROL-LVFA*</b>	AVI-ON Bluetooth Mesh Control System
<b>CORD-SPM-G2-EXT</b>	164ft Remote Driver Extension Cord w/Water Tight Quick Connector**

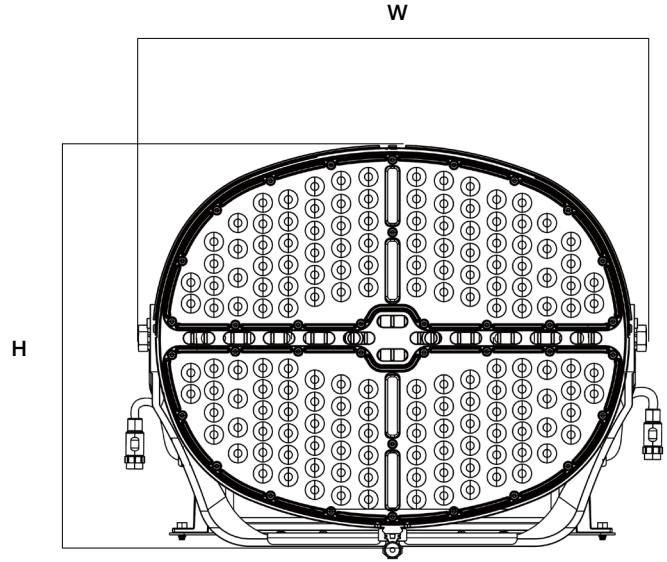
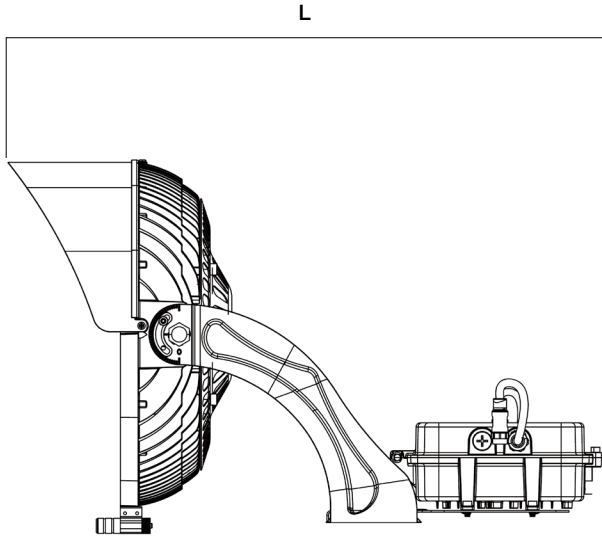
\*\*For Remote Driver application, PART# CORD-SPM-G2-EXT must be used to meet warranty requirement.

\*see page 6 for sensor spec

**SPM SERIES G2 SPORTS LIGHT**

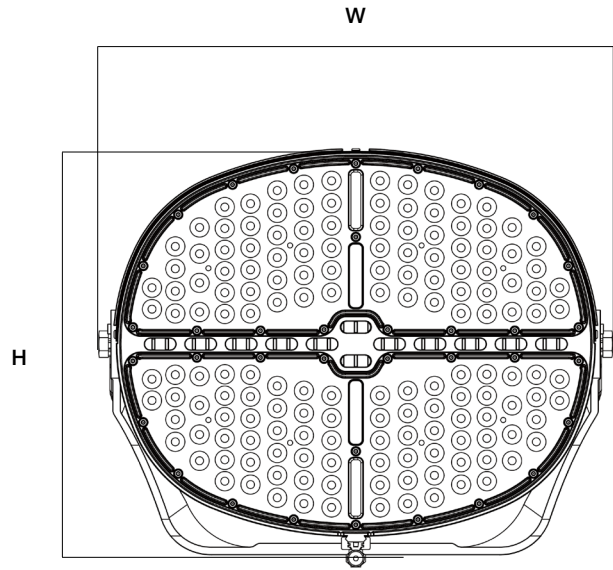
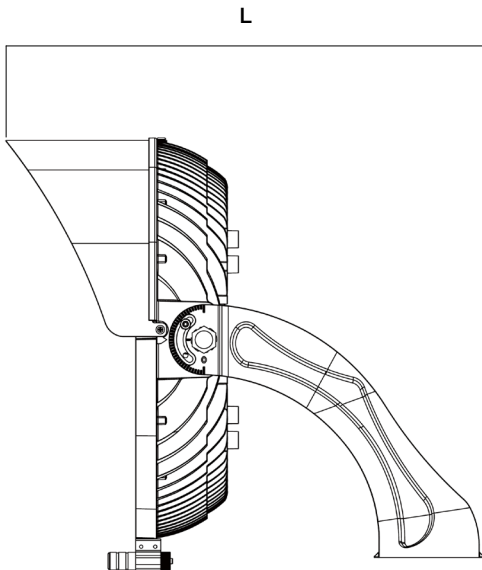
**DIMENSIONS (WITH DRIVER ENCLOSURE)**

Model	L	W	H
500W / 600W	26.90" (684mm)	20.80" (530mm)	16.90" (430mm)
850W / 1200W	29.80" (757mm)	23.80" (605mm)	19.70" (500mm)



**DIMENSIONS (REMOTE DRIVER)**

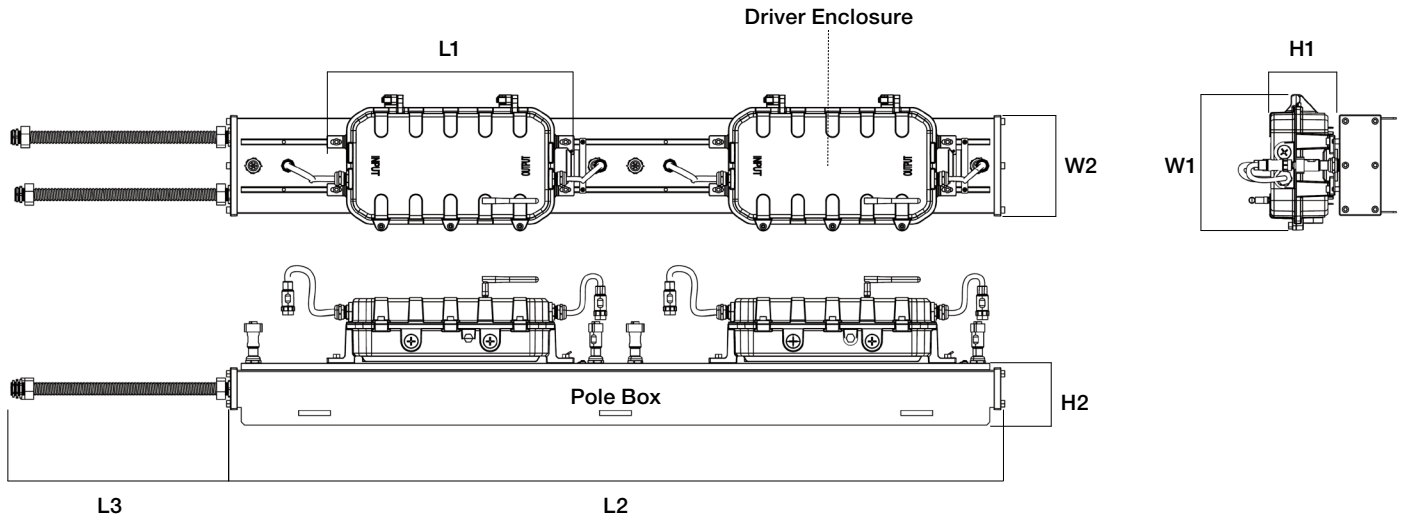
Model	L	W	H
500W / 600W	18.80" (477mm)	20.80" (530mm)	16.90" (430mm)
850W / 1200W	21.70" (552mm)	23.80" (605mm)	19.70" (500mm)



**SPM SERIES G2 SPORTS LIGHT**

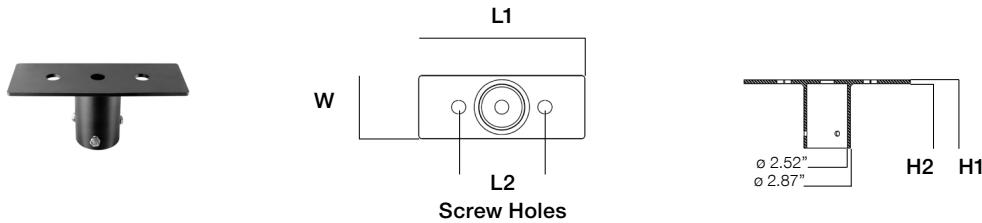
**DIMENSIONS (REMOTE DRIVER ENCLOSURE)**

Model	L1	W1	H1	L2	W2	H2	L3
Driver Enclosure for 500W / 600W	15.30" (388mm)	8.40" (214mm)	4.10" (103mm)	-	-	-	-
Driver Enclosure for 850W / 1200W	18.50" (470mm)	9.60" (244mm)	4.10" (103mm)	-	-	-	-
Pole Box	-	-	-	47.70" (1211mm)	6.20" (158mm)	3.80" (97mm)	47.20" (1200mm)

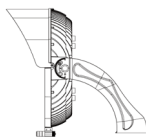


**DIMENSIONS (MOUNT-SPM-SF)**

Model	L1	L2	W	H1	H2
MOUNT-SPM-SF	10.31" (262mm)	5.35" (136mm)	3.94" (100mm)	4.25" (108mm)	4.21" (107mm)



**EPA (ft<sup>2</sup>)**



Mounting	Yoke
500W / 600W	1.891
850W / 1200W	2.547

**SPM SERIES G2 SPORTS LIGHT**

**PERFORMANCE DATA**

SYSTEM WATTS	VOLTAGE	DIST. TYPE	4000K		5000K	
			LUMEN	LPW	LUMEN	LPW
500W	100-277V, 480V	33	73247	146	73051	146
	100-277V, 480V	44	72275	145	73113	146
600W	100-277V, 480V	33	92352	154	92562	154
	100-277V, 480V	44	92378	154	92688	154
850W	100-277V, 480V	33	122485	144	122076	144
	100-277V, 480V	44	122344	144	121679	143
1200W	100-277V, 480V	33	162090	135	162363	135
	100-277V, 480V	44	161952	135	161272	134

**DLC Code**

Part Number	DLC Part Number	DLC Class
SPM - 500-G2 40 33 - XX BK UD / HD	Pending	Premium
SPM - 500-G2 50 33 - XX BK UD / HD	Pending	Premium
SPM - 500-G2 40 44 - XX BK UD / HD	Pending	Premium
SPM - 500-G2 50 44 - XX BK UD / HD	Pending	Premium
SPM - 600-G2 40 33 - XX BK UD / HD	Pending	Premium
SPM - 600-G2 50 33 - XX BK UD / HD	Pending	Premium
SPM - 600-G2 40 44 - XX BK UD / HD	Pending	Premium
SPM - 600-G2 50 44 - XX BK UD / HD	Pending	Premium
SPM - 850-G2 40 33 - XX BK UD / HD	Pending	Premium
SPM - 850-G2 50 33 - XX BK UD / HD	Pending	Premium
SPM - 850-G2 40 44 - XX BK UD / HD	Pending	Premium
SPM - 850-G2 50 44 - XX BK UD / HD	Pending	Premium
SPM - 1200-G2 40 33 - XX BK UD / HD	Pending	Premium
SPM - 1200-G2 50 33 - XX BK UD / HD	Pending	Premium
SPM - 1200-G2 40 44 - XX BK UD / HD	Pending	Premium
SPM - 1200-G2 50 44 - XX BK UD / HD	Pending	Premium

**SPM SERIES G2 SPORTS LIGHT**

**SENSOR SPEC**

Model	Type	Mounting	Coverage	Input	Function	Programmable
CONTROL-LVFA (see page 7 for detail)	Fixture Controller	-	-	12V DC	Bluetooth Mesh On/Off/Dimming Scheduling	AVI-ON Bluetooth Mobile App



CONTROL-LVFA

**SPM SERIES G2 SPORTS LIGHT**

**CONTROL-LVFA SPEC**

**Status LEDs & Config Button**

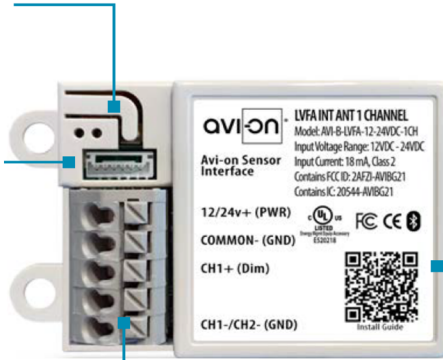
Quick and easy validation of wiring and network

**Direct Connect™ Sensor Port**

Simple and cost-effective addition to Avi-on sensors

**Terminal Blocks & Mounting Tabs**

Faster, easier and lower cost installation eliminating connectors



**Internal Antenna**

Improved performance and eliminates risk of accidentally cutting a hanging wire

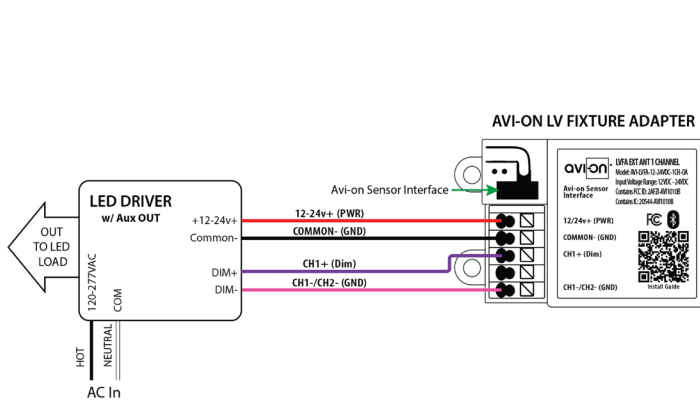
**SPECIFICATIONS**

**INPUT VOLTAGE:** 12-24VDC  
**CURRENT:** 15mA without a Sensor  
 19mA with a DC PIR Sensor  
 48mA with a DC Microwave Sensor  
**0-10V DIMMING:** 12-24VDC  
**SIZE:** 2.30in x 1.43in x 0.75in  
 (58.2mm x 36.4mm x 19mm)  
**MOUNTING:** Removable mounting tabs  
**WEIGHT:** 0.45 oz (16g)  
**OPERATING TEMP:** -22°F to +158°F (-30°C to + 70°C)

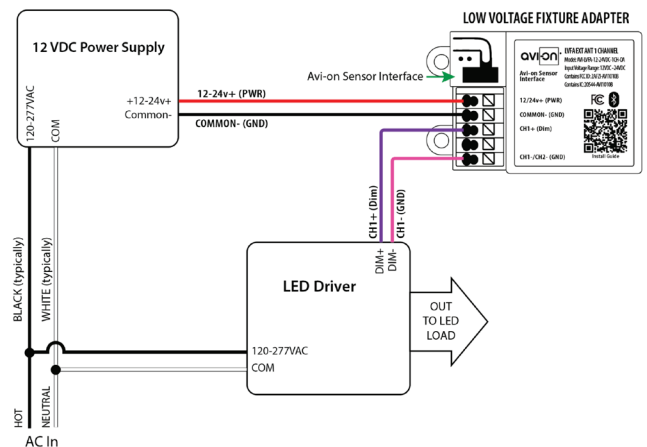
**RADIO FREQUENCY:** 2.4GHz  
**WIRELESS STANDARD:** BLE 4.2 with Mesh  
**POINT TO POINT RANGE\*:** 80ft with obstructions  
 350ft unobstructed  
**SECURITY:** AES 128-bit encryption for device to device communication  
 AES 256-bit encryption for device to cloud communication  
**WARRANTY:** 5 years; 10 years optional  
**REGULATORY:** FCC: 2AFZI-AVI1010 B  
 IC: 20544-AVI1010 B  
 BQB: D031801, DID: 86303  
 UL 916, 2043 (Plenum Rated)

\*When communicating through the mesh, range is essentially unlimited (5000ft+)

**WIRING DIAGRAM**



Fixture adapter powered by LED driver auxiliary output



Fixture adapter connected to LED driver and using power supply