

POLE-4R 4" STEEL ROUND POLE

Client:
 Project:
 Type:
 Quantity:

POLE

Pole shaft shall be weldable-grade, hot rolled, commercial quality carbon steel tubing conforming with a minimum yield strength of 42,000 psi. All welds shall confirm to AWS D1.1.

HANDHOLE

Reinforced, 3" x 5" Handhole with cover, stainless steel screw and backbar. Located 12" from Base.

BASE STYLE

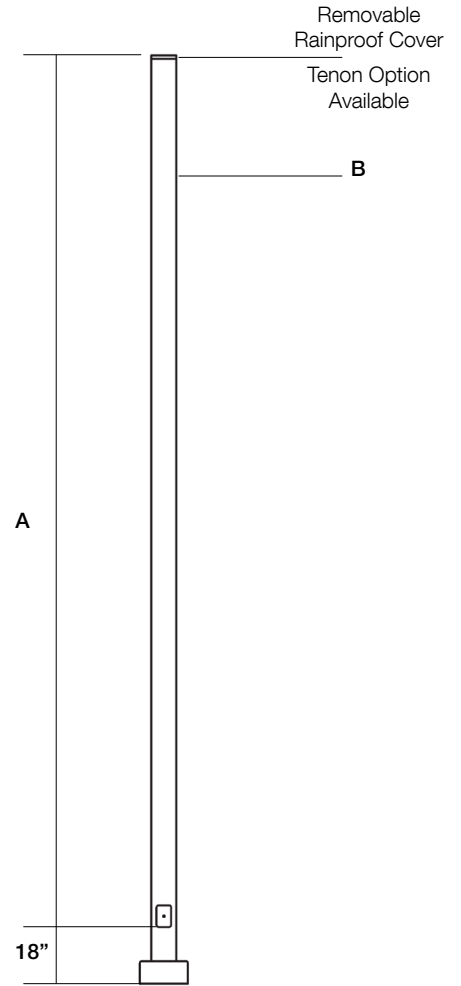
4-Bolt Steel Plate Base Flange of fabricated hot rolled carbon steel with 2-piece Base Cover and attaching hardware.

ANCHORAGE

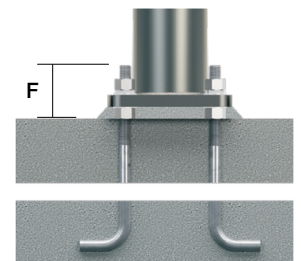
Anchorage Kit will include four (4) J-shaped Steel Anchor Bolts. Ten inches (10") of threaded. Kits will contain eight (8) Hex Nuts, and eight (8) Flat Washers (all components Galvanized Steel). A paper bolt circle template will be provided.

BASE COVER

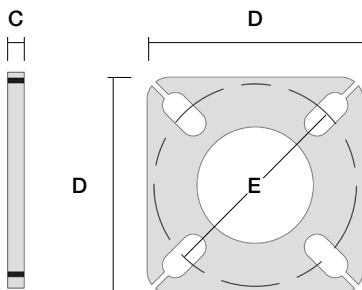
Square 2-piece ABS plastic Base Covers are standard.



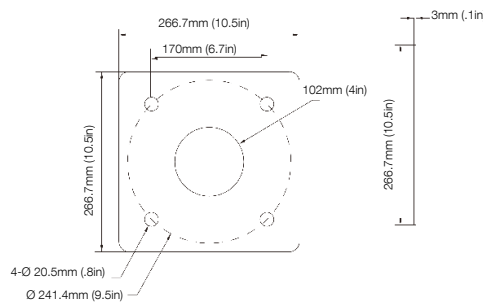
POLE OD	A Mounting Height	B Shaft Size	C Thickness	D Base Plate	E Bolt Circle (range: 8"-11")	F Bolt Projection
4"	15' / 20' / 25'	4"	0.75"	10.5"	9.5"	3.5"



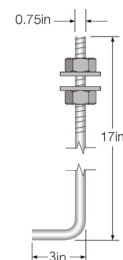
ANCHORAGE DETAIL



POSITIONING PLATE DIMENSION



4" Pole Positioning Plate



Anchor Bolt

POLE-4R 4" STEEL ROUND POLE

ORDER INFORMATION

EXAMPLE: POLE 4R 11 20 DB

PART#	SHAFT SIZE	SHAFT HEIGHT	WALL THICKNESS	GAUGE	WEIGHT	Maximum EPA with 1.3 Gust Factor													
						80 mph	Max weight	90 mph	Max weight	100 mph	Max weight	110 mph	Max weight	120 mph	Max weight	130 mph	Max weight	140 mph	Max weight
POLE-4R-11-15	4"	15'	0.120"	11	100LB	9.6	250	7.4	185	5.9	150	3.5	90	2.7	68	2.2	55	1.5	46
POLE-4R-11-20	4"	20'	0.120"	11	120LB	6	150	4.4	150	3.4	125	2.1	80	1.4	55	1	40	-	-
POLE-4R-11-25	4"	25'	0.120"	11	145LB	2.8	100	1.9	75	1.3	75	-	-	-	-	-	-	-	-

A SERIES

POLE Steel Pole

B SHAFT SIZE & TYPE

4R 4" Round

* (Anchor Bolts, Base Cover, Rainproof Cover included)

C THICKNESS

11 11 Gauge (0.12")

D HEIGHT

15 15FT
 20 20FT
 25 25FT

E FINISH

DB Dark Bronze

F PARTS

BOLT-JB842-BP268-D 4 x J Anchor Bolts 20mm x 842mm
BASE-4R 4" Round Pole Base Cover
COVER-4R 4" Round Rainproof Cover