

**CONTRACTOR SERIES WET LOCATION BAY LIGHT**

Client:  
Project:  
Type:  
Quantity:

**CONSTRUCTION**

Single piece die-cast aluminum housing, maximizes heat dissipation and life expectancy of the luminaire.  
Suitable for interior/exterior, wet, high pressure washdown applications.

**OPTICS**

Standard clear polycarbonate lens protects LEDs against solid and liquid impact, symmetric LED board layout offers maximum uniformity illumination.

**ELECTRICAL**

80 CRI Lumileds LED.  
-40°C up to 45°C (-40°F up to 113°F) maximum operating temperature.  
Long-life 50,000 hr LED at L70.  
Available with CCT / Output selectable function.  
Universal Input 120-277V, 0-10V dimming, output 36V-42V, with 12V AUX output, 50/60Hz, <15% THD, 0.9 power factor.  
Optional dimming sensor for occupancy and ambient light level detection.

**SENSORS (OPTIONAL)**

SENSOR-ANT-6-4T Plug-N-Play PIR on/off/dimming/photosensing.  
SENSOR-BLE-6-4T Integral PIR ALS Control bluetooth/on/off/dimming/photosensing.

**MOUNTING**

Standard Snap Hook w/Safety Cable included.  
Optional 3/4" Pipe Adapter to Pendant Mount Application.  
Optional Yoke mount bracket.

**STANDARD FINISH**

Corrosion Resistant Semi-Gloss Black Finish.

**CERTIFICATION**

Wet location label standard.  
Meets Buy America Act requirements. Available for BAA Compliant projects.  
All luminaires are built to UL1598 standards and bear appropriate cULus labels.  
For Emergency application, equipment with UL924 certified battery packs.  
DLC® Premium (DesignLights Consortium Qualified)

**WARRANTY**

5 year warranty, see Limited Warranty for additional information.



w/Optional Plug in Sensor



**CONTRACTOR SERIES WET LOCATION BAY LIGHT**

**ORDER INFORMATION** **EXAMPLE : CSB 230 SC C BK UD**

Fixture	Series	Power & LM	CCT	Lens	Finish	Input
	<b>CSB</b>	<b>230</b>	<b>SC</b>	<b>C</b>	<b>BK</b>	<b>UD</b>

Mounting Accessories  
Options

**A SERIES**

**CSB** Contractor Series Wet Location Bay Light

**B POWER & LM**

Code	Power	LM
<b>230</b>	Field Selectable 92 / 138 / 184 / 230W	16,500 / 24,000 / 30,000 / 36,000

**C CCT**

**SC** Field Selectable 3000 / 4000 / 5000K

**D LENS**

**C** Clear Polycarbonated Lens

**E FINISH**

**BK** Black

**F INPUT**

**UD** 120-277V, 0-10V Dimmable w/6FT 3-Conductor Lead Wire

**G MOUNTING**

<b>blank</b>	Snap Hook Mount w/Safety Cable (standard)
<b>MOUNT-HB-PIPE-BK</b>	3/4" Pipe Adapter to Pendant Mount Application
<b>MOUNT-CSB-YM</b>	Yoke Mount

**H ACCESSORIES/OPTIONS**

<b>AIA</b>	Assembled in America, compliant with BAA (COTS)
<b>SENSOR-ANT-6-4T*</b>	Integral PIR on/off/dimming/photosensing
<b>SENSOR-ANT-6-4T-EM*</b>	Integral PIR on/off/dimming/photosensing with EMB
<b>SENSOR-BLE-6-4T*</b>	"Plug-N-Play" Integral Bluetooth Daylight Harvesting Sensor (ALS Control Mobile App)
<b>REMOTE-RC100</b>	Handheld Remote Commissioning Tool for SENSOR-ANT (1 per job)
<b>EMB-40W**</b>	High Voltage Output Smart Emergency Battery 40W 100-347VAC Input 170VDC Output
<b>-PLUG</b>	6 Foot Cord and 3 Prong Plug
<b>TWIST-LOCK</b>	Specify Plug Type: <b>L515P / L715P / HBL5929 / L8-20P</b>

\*see page 7 for sensor spec

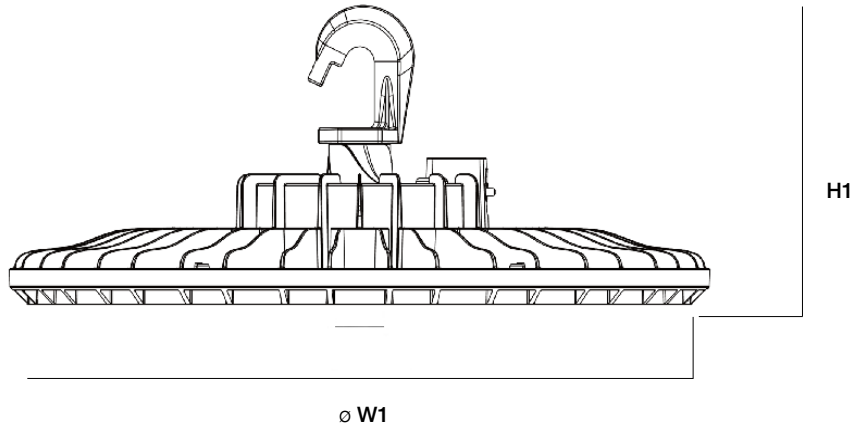
\*\*see page 5 for emb spec

**CONTRACTOR SERIES WET LOCATION BAY LIGHT**

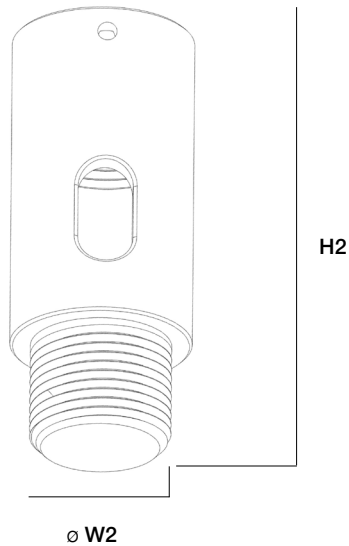
**DIMENSIONS**

Model	H1	H2	W1	W2
CSB-230	7.53" (191mm)		ø 14.13" (359mm)	
MOUNT-HB-PIPE-BK		3.15" (80mm)		ø 1.01" (26mm)

**Luminaire**



**Pipe Adapter**



**CONTRACTOR SERIES WET LOCATION BAY LIGHT**

**PHOTOMETRIC**

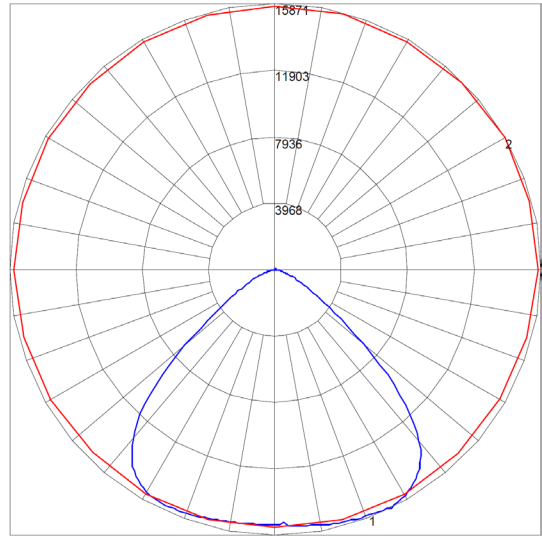
**CSB-230SC**

Zone	Lumen	Luminaire%
0-30	13073	36.10
0-40	22243	61.40
0-60	33989	93.90
0-90	36055	99.60
0-180	36208	100

Lumen: 36208  
 Input Watts: 220.1 W  
 Efficacy: 165 LPW

Maximum Candela = 15871.12 Located At Horizontal Angle = 30, Vertical Angle = 26  
 # 1 - Vertical Plane Through Horizontal Angles (30-210) (Through Max. Cd.)  
 # 2 - Horizontal Cone Through Vertical Angle (26) (Through Max. Cd.)

IES: CSB-230SC @ 230W 4000K



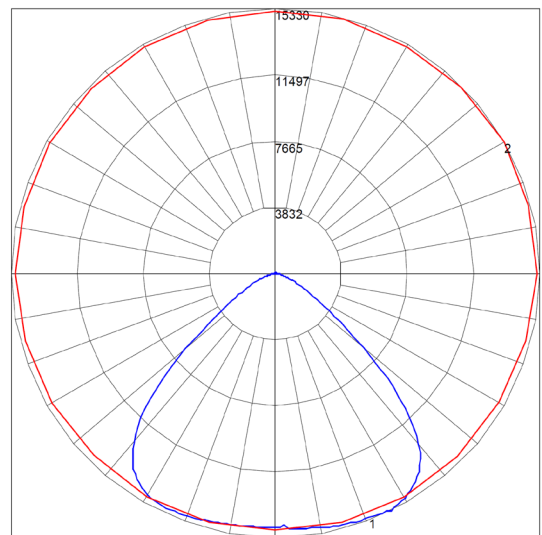
**CSB-230SC**

Zone	Lumen	Luminaire%
0-30	12614	36.10
0-40	21459	61.40
0-60	32819	93.80
0-90	34824	99.60
0-180	34972	100

Lumen: 34972  
 Input Watts: 227.69 W  
 Efficacy: 154 LPW

Maximum Candela = 15415.24 Located At Horizontal Angle = 0, Vertical Angle = 22  
 # 1 - Vertical Plane Through Horizontal Angles (0-180) (Through Max. Cd.)  
 # 2 - Horizontal Cone Through Vertical Angle (22) (Through Max. Cd.)

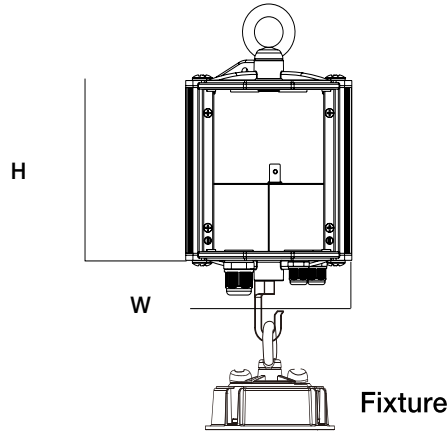
IES: CSB-230SC @ 230W 5000K



**CONTRACTOR SERIES WET LOCATION BAY LIGHT**

**EMERGENCY BATTERY**

Model	H	W
EMB-40W	6.80" (173mm)	ø 5.47" (139mm)

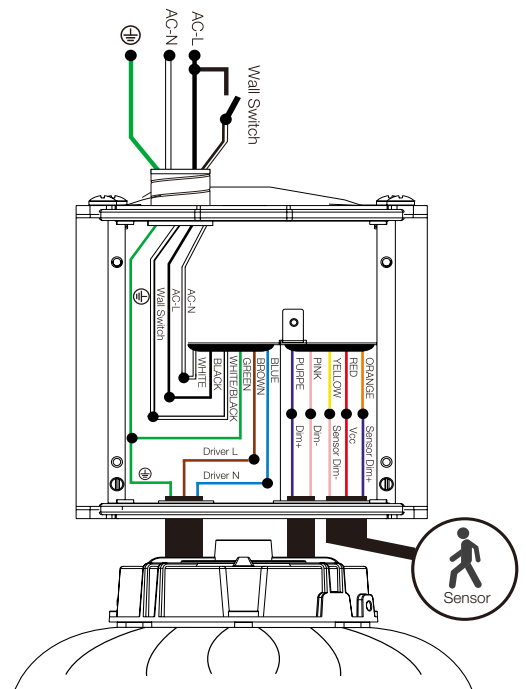
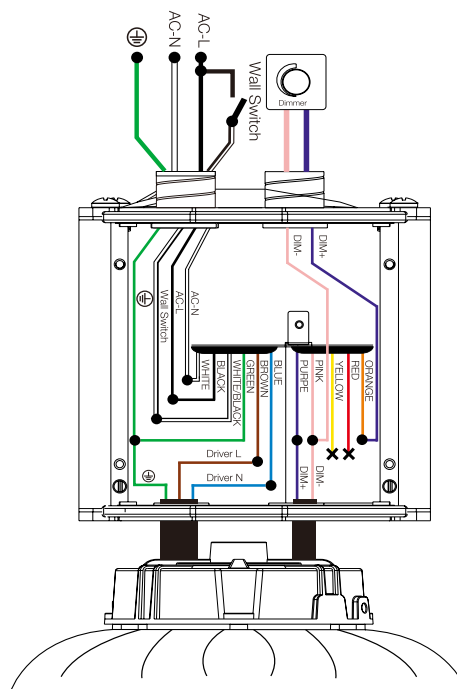
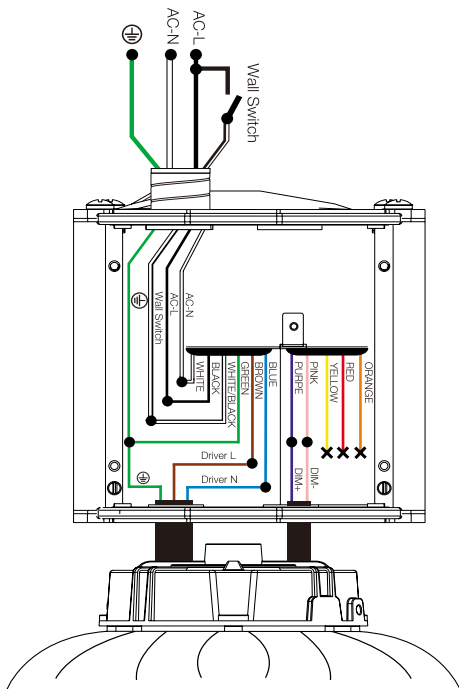


**EMERGENCY BATTERY DIAGRAM**

**On/Off**

**w/0-10V Dimmer**

**w/DC Sensor  
 SENSOR-ANT-6-4T**



**CONTRACTOR SERIES WET LOCATION BAY LIGHT**

PERFORMANCE DATA / DLC CODE							
SYSTEM WATTS	CCT	VOLTAGE	LUMEN	LPW	PART NUMBER	DLC PRODUCT ID / ORDER CODE	DLC CLASS
CSB-230 92W Selection	3000K	120-277V	15500	168	CSB-230SC-CBKUD	Pending	Premium
	4000K	120-277V	16500	179		Pending	Premium
	5000K	120-277V	16000	174		Pending	Premium
CSB-230 138W Selection	3000K	120-277V	22000	159		Pending	Premium
	4000K	120-277V	24000	174		Pending	Premium
	5000K	120-277V	23000	167		Pending	Premium
CSB-230 184W Selection	3000K	120-277V	28000	152		Pending	Premium
	4000K	120-277V	30000	163		Pending	Premium
	5000K	120-277V	29000	158		Pending	Premium
CSB-230 230W Selection	3000K	120-277V	34000	148		Pending	Premium
	4000K	120-277V	36000	157		Pending	Premium
	5000K	120-277V	35000	152		Pending	Premium

**CONTRACTOR SERIES WET LOCATION BAY LIGHT**

**SENSOR SPEC**

Model	Type	Mounting	Coverage	Input	Function	Programmable
SENSOR-ANT-6-4T SENSOR-ANT-6-4T-EM	PIR	up to 40FT	30FT radius	12V DC	On/Off/Dimming	REMOTE-RC100
SENSOR-BLE-6-4T (see page 8 for detail)	PIR	up to 40FT	30FT radius	12V DC	Bluetooth Mesh On/Off/Dimming Daylight Harvesting	ALS Control Bluetooth Mobile App



SENSOR-ANT-6-4T  
 SENSOR-ANT-6-4T-EM  
 SENSOR-BLE-6-4T

**FEATURE**

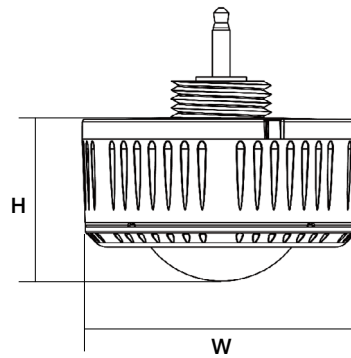
- **Installation:** Plug-N-Play via AUX socket on attached fixture
- **Commissioning:** Wirelessly through ALS Control Mobile App (iOS / Android)
- **Certification:** DLC 5.1 Networked Lighting Control System
- **Control:** Hold time, High-Low setting, continuous Bi-level dimming, Code-compliant manual-on or auto-off capability
- **Sensor:** Motion (Occupancy/Vacancy/Manual) and Daylight Harvesting
- **Room and Zone Control:** Zoning and Grouping control, Scheduling



**SPECIFICATIONS**

<b>SENSOR TYPE:</b>	Passive Infrared Sensor (PIR)
<b>WIRELESS STANDARDS:</b>	5.0 Bluetooth Mesh
<b>INPUT VOLTAGE:</b>	12-24VDC, >50mA
<b>CONTROL OUTPUT:</b>	0-10V
<b>OPERATING TEMP:</b>	-4°F ~ +140°F (-20°C ~ +60°C)
<b>COMMISSIONING RANGE:</b>	50FT
<b>BLUETOOTH RANGE:</b>	164FT
<b>DETECTION ANGLE:</b>	360°
<b>MOUNTING HEIGHT:</b>	Up to 40FT
<b>WARRANTY:</b>	5 years
<b>IP RATING:</b>	IP65
<b>FACTORY DEFAULT SETTINGS:</b>	100% Brightness for 5 min Dim Down to 30% Hold for 10 min Turn Off

**DIMENSIONS**



H	W
1.03" (26.2mm)	2.17" (55mm)

**COVERAGE PATTERNS**

