



CPQ SERIES GARAGE LIGHT

Client:
Project:
Type:
Quantity:

CONSTRUCTION

Rugged die-cast aluminum housing with corrosion resistant powder coat finish both protects and provides architectural appearance.

Heat dissipating fins provide superior thermal performance extending the life of the luminaire. Feed-through wiring ready, 1/2" NPT threading with water tight cap.

OPTICS

Square dropped lens constructed of polycarbonate material with refractive features built-in to maximize area coverage.

Type V Distribution, lightly diffused lens for reduced LED pixilation and glare. Drop lens provides light above the 90 degree plane for some ambient uplighting.

ELECTRICAL

80+ CRI Lumileds LED.

-40°C up to 40°C (-40°F up to 104°F) maximum operating temperature

100,000 hr at L70 @ 25°C.

Driver operates at 120-277V input, 50/60Hz, 1-10V dimming driver standard.

<20% THD, 0.9 power factor.

Optional Emergency Backup Battery.

SENSORS (OPTIONAL)

SENSOR-819-O1 End mount on/off motion sensor with lowbay lens.

SENSOR-819-D1 End mount on/off/dimming and photocell sensor with lowbay lens.

SENSOR-BLE-819 End mount ALS CONTROL bluetooth on/off motion sensor lowbay lens.

SENSOR-PH-PB-U Integral button style photocell.

CONTROL-AVI-LVFA AVI-ON Bluetooth Mesh Controller.

MOUNTING

Integrated universal mounting marked on housing, allows simple installation.

Mounts directly to 4" round, octagonal, and square junction boxes.

Hinged design allows luminaire to be hung while wiring. (Suitable for surface mounted j-box, rigid pipe or free swinging pendant (supplied by others).

3/4" conduit entry on top for pendant mount.

1/2" conduit entry on four sides of the driver enclosure.

STANDARD FINISH

Corrosion resistant Dark Bronze and Semi-Gloss White powder coat.

CUSTOM FINISH

Corrosion resistant Black, Graphite Metallic, Gray, Silver, or custom RAL#.

CERTIFICATION

IP65 Wet location label standard.

Option for "Assembled in America" upon request.

All luminaires are built to UL1598 standards and bear appropriate cULus labels.

For Emergency application, equipment with UL924 certified battery packs.

DLC® Premium (DesignLights Consortium Qualified)

WARRANTY

5 year warranty, see Limited Warranty for additional information.



White Finish

SHIPPING DATA

| Product | Measurement | Weight |
|---------|-------------------|--------|
| CPQ-30 | 9"L x 9"W x 5"H | 5 lb |
| CPQ-50 | 9"L x 9"W x 5"H | 5 lb |
| CPQ-70 | 9"L x 9"W x 5"H | 5 lb |
| CPQ-100 | 11"L x 11"W x 5"H | 8 lb |



CPQ SERIES GARAGE LIGHT

ORDER INFORMATION **EXAMPLE : CPQ 30 50 PL JM DB UD**

| Fixture | Series | Power & LM | CCT | Distribution | Mounting | Finish | Input |
|---------|------------|------------|-----|--------------|-----------|--------|-------|
| | CPQ | | | PL | JM | | |

Accessories
Options

A SERIES

CPQ Square Canopy Light

B POWER & LM

| Code | Power | LM |
|------|-------|----------|
| 30 | 30W | 3,900lm |
| 50 | 50W | 6,500lm |
| 70 | 70W | 9,100lm |
| 100 | 100W | 13,000lm |

C CCT

| | |
|----|-------|
| 40 | 4000K |
| 50 | 5000K |

D DISTRIBUTION

PL Prismatic Lens

E MOUNTING

JM Surface Mount (3/4" conduit entry on top)

F FINISH

Standard

DB Dark Bronze **WH** White

Custom Color

CC **BK** Black **GM** Graphite Metallic **RAL #**
SV Silver **GR** Gray

G INPUT

| | |
|----|--------------------------|
| U | 110-277V |
| UD | 110-277V, 0-10V Dimmable |

H ACCESSORIES/OPTIONS

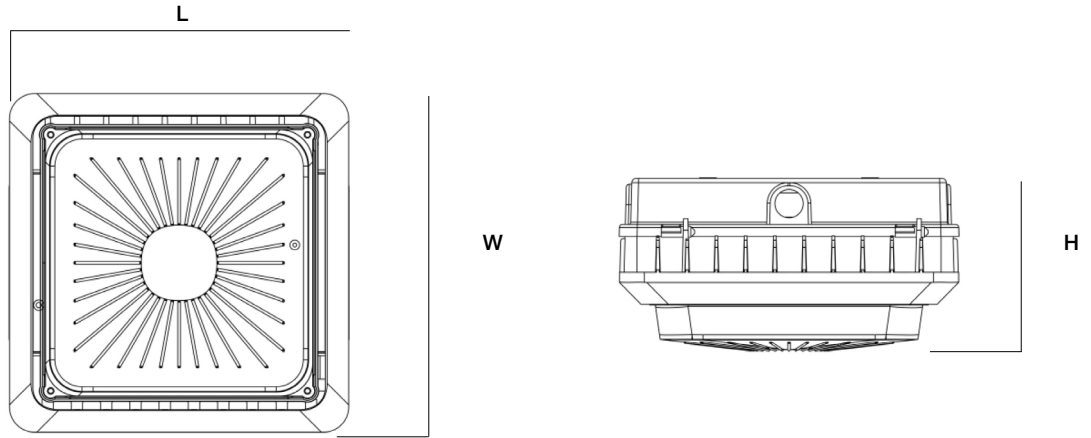
| | |
|-------------------------------|---------------------------------------------------------------------------------------------------------------|
| AIA | Assembled in America, compliant with BAA (COTS) |
| EMB-8W-B* | 8W Emergency Battery 170VDC Forward Voltage |
| REMOTE-RC100 | Handheld Remote Commissioning Tool for SENSOR-819 |
| SENSOR-819-O1-L1 / L2* | End mount on/off motion sensor with lowbay lens (120-277V) / L1: up to 20FT, L2: up to 40FT |
| SENSOR-819-D1-L1 / L2* | End mount on/off/dimming and photocell sensor with lowbay lens / L1: up to 20FT, L2: up to 40FT |
| SENSOR-BLE-819-L1* | End Mount PIR Bluetooth Daylight Harvesting Sensor (ALS Control Mobile App) / L1: up to 20FT |
| CONTROL-AVI-LVFA* | AVI-ON Bluetooth Mesh Control System |
| SENSOR-PH-PB-U* | Button Style Photocell |

*see page 4 for sensor and emb spec

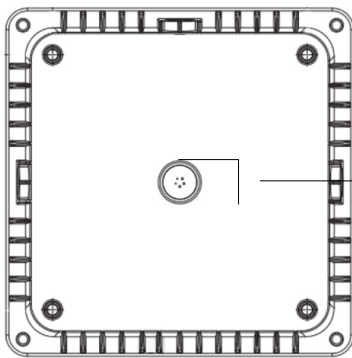
CPQ SERIES GARAGE LIGHT

DIMENSIONS

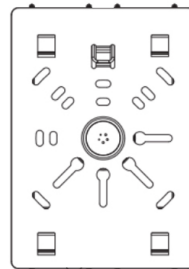
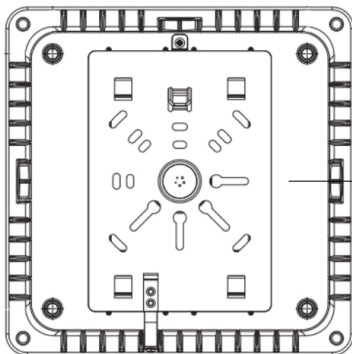
| Power | L | W | H |
|-----------------|----------------|----------------|---------------|
| 30W / 50W / 70W | 8.89" (225mm) | 8.89" (225mm) | 4.13" (98mm) |
| 100W | 10.80" (275mm) | 10.80" (275mm) | 4.30" (109mm) |



MOUNTING OPTIONS



3/4" conduit entry on top for pendant mount



Surface Mount Plate
 For direct mounting with electrical box

CPQ SERIES GARAGE LIGHT

SENSOR SPEC

| Model | Type | Mounting | Coverage | Input | Function | Programmable |
|---------------------------------------------|-----------------------|------------------------|----------------------------|-----------|---------------------------------------------------------|----------------------------------------|
| SENSOR-PH-PB-U | - | - | - | Universal | Dusk-to-Dawn Control | - |
| CONTROL-AVI-LVFA (see page 5 for detail) | Fixture Controller | - | - | 12V DC | Bluetooth Mesh On/Off/Dimming Scheduling | AVI-ON Bluetooth Mobile App |
| SENSOR-819-O1 | PIR | L1 - 20FT L2 - 40FT | 30FT radius 30FT radius | Universal | On/Off | REMOTE-RC100 |
| SENSOR-819-D1 | PIR | L1 - 20FT L2 - 40FT | 30FT radius 30FT radius | Universal | On/Off/Dimming | REMOTE-RC100 |
| SENSOR-BLE-819 (see page 6 for detail) | PIR | L1 - 20FT | 30FT radius | Universal | Bluetooth Mesh On/Off/Dimming Daylight Harvesting | ALS Control Bluetooth Mobile App |



SENSOR-PH-PB-U



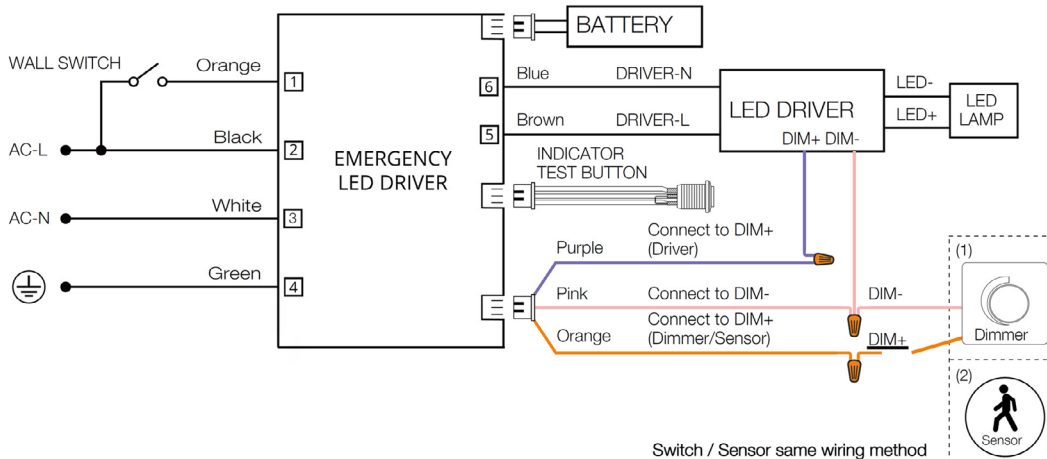
CONTROL-AVI-LVFA



SENSOR-819-O
 SENSOR-819-D
 SENSOR-BLE-819

EMB SPEC

| Model | Compatible Fixture | Battery Capacity | Input | Output | Output Power | Operating Temp | Installation |
|----------|--------------------|------------------|------------|--------|--------------|----------------------------|--------------------------------|
| EMB-8W-B | CPQ | 90mins | 100-347VAC | 170VDC | 8W | 0°C ~ 50°C 32°F ~ 122°F | Factory or Field Install |



CPQ SERIES GARAGE LIGHT

CONTROL-AVI-LVFA SPEC

Status LEDs & Config Button

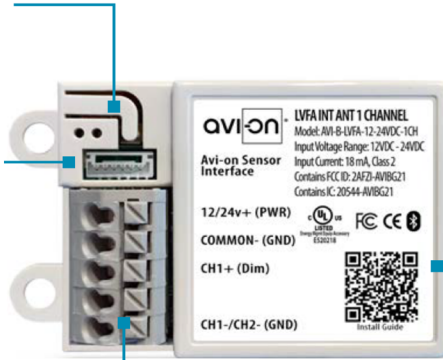
Quick and easy validation of wiring and network

Direct Connect™ Sensor Port

Simple and cost-effective addition to Avi-on sensors

Terminal Blocks & Mounting Tabs

Faster, easier and lower cost installation eliminating connectors



Internal Antenna

Improved performance and eliminates risk of accidentally cutting a hanging wire

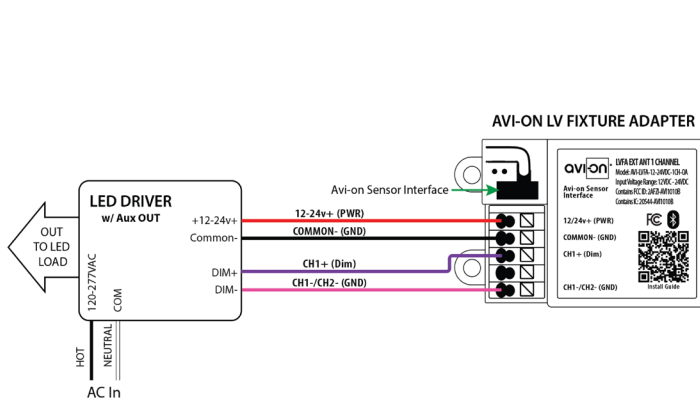
SPECIFICATIONS

INPUT VOLTAGE: 12-24VDC
CURRENT: 15mA without a Sensor
 19mA with a DC PIR Sensor
 48mA with a DC Microwave Sensor
0-10V DIMMING: 12-24VDC
SIZE: 2.30in x 1.43in x 0.75in
 (58.2mm x 36.4mm x 19mm)
MOUNTING: Removable mounting tabs
WEIGHT: 0.45 oz (16g)
OPERATING TEMP: -22°F to +158°F (-30°C to + 70°C)

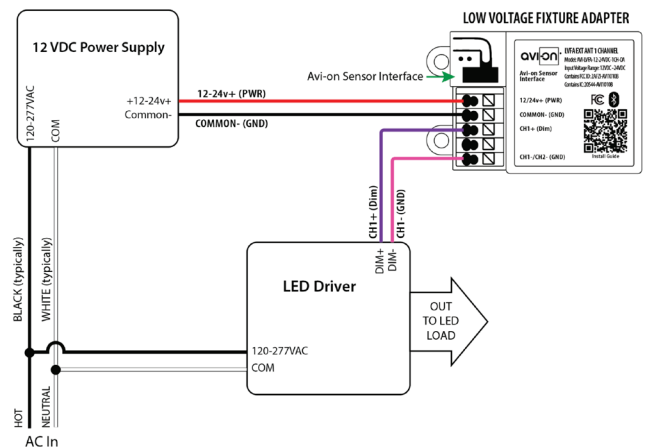
RADIO FREQUENCY: 2.4GHz
WIRELESS STANDARD: BLE 4.2 with Mesh
POINT TO POINT RANGE*: 80ft with obstructions
 350ft unobstructed
SECURITY: AES 128-bit encryption for device to device communication
 AES 256-bit encryption for device to cloud communication
WARRANTY: 5 years; 10 years optional
REGULATORY: FCC: 2AFZI-AVI1010 B
 IC: 20544-AVI1010 B
 BQB: D031801, DID: 86303
 UL 916, 2043 (Plenum Rated)

*When communicating through the mesh, range is essentially unlimited (5000ft+)

WIRING DIAGRAM



Fixture adapter powered by LED driver auxiliary output



Fixture adapter connected to LED driver and using power supply

FEATURE

- **Installation:** Factory or Field Install End Mount to Fixture
- **Commissioning:** Wirelessly through ALS Control Mobile App (iOS / Android)
- **Certification:** DLC 5.1 Networked Lighting Control System
- **Control:** Hold time, High-Low setting, continuous Bi-level dimming, Code-compliant manual-on or auto-off capability
- **Sensor:** Motion (Occupancy/Vacancy/Manual) and Daylight Harvesting
- **Room and Zone Control:** Zoning and Grouping control, Scheduling

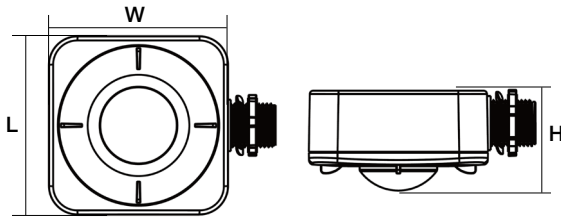


SPECIFICATIONS

SENSOR TYPE: Passive Infrared Sensor (PIR)
WIRELESS STANDARDS: Bluetooth SIG Mesh
INPUT VOLTAGE: 120/277VAC
CONTROL OUTPUT: 0-10V
OPERATING TEMP: -40°F ~ +167°F (-40°C ~ +75°C)

COMMISSIONING RANGE: 50FT
BLUETOOTH RANGE: Integral antenna up to 100FT
DETECTION ANGLE: Vertical 90° x Horizontal 360°
MOUNTING HEIGHT: 8 - 40FT
WARRANTY: 5 years
IP RATING: IP20 Damp

DIMENSIONS



| L | W | H |
|-----------------|------------------|-------------------|
| 3.19" (81mm) | 4.02" (102mm) | 1.70" (43.3mm) |

COVERAGE PATTERNS

