

**LHCA SERIES SELECTABLE LINEAR BAY LIGHT**

Client:  
 Project:  
 Type:  
 Quantity:

**CONSTRUCTION**

Compact die-cast aluminum housing, sturdy structure design, entire body serves as heat sink for the light engine. Includes top and side knockouts for simple and accessible wiring.

**OPTICS**

>95% efficiency polycarbonate shatter proof frosted lens.

**ELECTRICAL**

80+ CRI LED.  
 -40°C up to 55°C (-40°F up to 131°F) maximum operating temperature.  
 100,000 hr LEDs at L70 @ 25°C. 50/60Hz, <20% THD, >.95 Power Factor.  
 Driver operates at 120-277V input, 1-10V dimmable driver, down to 10%.  
 Optional 347/480V input.  
 Optional dimming sensor for occupancy and ambient light level detection.

**SENSORS (OPTIONAL)**

SENSOR-819-O1 End mount on/off motion sensor lowbay lens.  
 SENSOR-819-O2 End mount on/off motion sensor highbay lens.  
 SENSOR-819-D1 End mount programmable motion and photocell sensor lowbay lens.  
 SENSOR-819-D2 End mount programmable motion and photocell sensor highbay lens.  
 SENSOR-BLE-819 End mount ALS CONTROL bluetooth on/off motion sensor lowbay lens.  
 SENSOR-BLE-6-4T Integral PIR ALS Control bluetooth/on/off/dimming/photosensing.  
 SENSOR-ANT-6-4T Plug-N-Play PIR on/off/dimming/photosensing.  
 CONTROL-LVFA AVI-ON Bluetooth Mesh Controller.  
 SENSOR-DC-PIR AVI-ON PIR and Daylighting Sensor

**MOUNTING**

Adjustable aircraft cable hanger as standard mounting included.

**STANDARD FINISH**

All metal parts are post painted after fabrication with polyester powder coat paint with 90% reflectance.

**CERTIFICATION**

Meets Buy America Act requirements.  
 All luminaires are built to UL1598 standards for damp location and bear appropriate cULus labels.  
 For Emergency application, equipment with UL924 certified battery packs.  
 DLC® Premium (DesignLights Consortium Qualified)

**WARRANTY**

5 year warranty, see Limited Warranty for additional information.



210W



210W

**SHIPPING DATA**

Product	Measurement	Weight
LHCA-210SC	21" L x 13"W x 3"H	15 lb



**LHCA SERIES SELECTABLE LINEAR BAY LIGHT**

**ORDER INFORMATION** **EXAMPLE: LHC 130 50 CK WH UD**

Fixture	Series	Power & LM	CCT	Distribution	Mounting	Finish	Input
	<b>LHC</b>				<b>CK</b>	<b>WH</b>	

**A SERIES**

**LHCA** Compact Linear Bay Light Dual Selectable

**B POWER & LM**

Code	Power Selectable	LM	LPW
<b>210</b>	84W	14,000lm	167
	126W	20,000lm	159
	168W	25,500lm	152
	210W	30,300lm	148

**C CCT**

**SC** 4000K / 5000K Field Selectable

**D DISTRIBUTION**

**blank** Polycarbonate Shatter-Proof Frosted Diffuser Lens

**E MOUNTING**

**CK** Adjustable aircraft cable hanging kit (standard)

**F FINISH**

**WH** White

**G INPUT**

**UD** 120-277V, 1-10V Dimmable **HD** 347V/480V, 1-10V Dimmable

**LHCA SERIES SELECTABLE LINEAR BAY LIGHT**

**ORDER INFORMATION (CONTINUED)**

Accessories  
 Options

**H ACCESSORIES/OPTIONS**

<b>AIA</b>	Assembled in America, compliant with BAA (COTS)
<b>WIREGUARD-LHC-B</b>	Wireguard for LHCA-210
<b>EMB-8W-MST*</b>	8W External Emergency Battery
<b>SENSOR-ANT-6-4T*</b>	Integral PIR on/off/dimming/photosensing for LHCA-210 model
<b>SENSOR-BLE-6-4T*</b>	“Plug-N-Play” Integral Bluetooth Daylight Harvesting Sensor (ALS Control Mobile App) for LHCA-210 model
<b>SENSOR-819-O1/O2*</b>	End mount on/off motion sensor lowbay lens / highbay lens
<b>SENSOR-819-D1/D2*</b>	End mount on/off/dimming dimming sensor lowbay lens / highbay lens
<b>SENSOR-BLE-819-L1 / L2*</b>	End Mount PIR Bluetooth Daylight Harvesting Sensor (ALS Control Mobile App) / <b>L1:</b> up to 20FT, <b>L2:</b> up to 40FT
<b>CONTROL-LVFA*</b>	AVI-ON Bluetooth Mesh Control System
<b>SENSOR-DC-PIR*</b>	AVI-ON PIR Bluetooth Sensor on/off/dimming/photosensing.
<b>REMOTE-RC100</b>	Handheld Remote Commissioning Tool for SENSOR-819-D1/D2 Only, ANT Series
<b>-CORD</b>	18-3 300V 6 Foot Cord
<b>-PLUG</b>	18-3 300V 6 Foot Cord and 3 Prong Plug
<b>TWIST-LOCK</b>	Specify Plug Type: <b>L515P / L715P / HBL5929 / L8-20P</b>

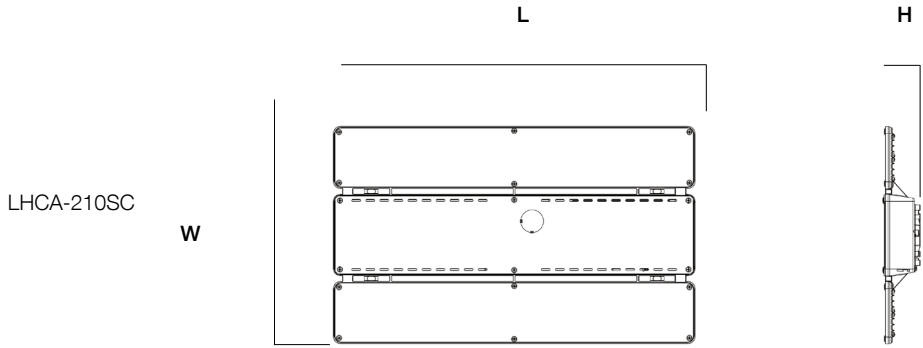
\*see page 6 for sensor spec

\*\*see page 7 for emb spec

**LHCA SERIES SELECTABLE LINEAR BAY LIGHT**

**DIMENSIONS**

Model	L	W	H
LHCA-210SC	20.70" (525mm)	12.40" (315mm)	2.00" (52mm)



**LHCA SERIES SELECTABLE LINEAR BAY LIGHT**

**PERFORMANCE DATA**

SYSTEM WATTS	VOLTAGE	4000K / 5000K	
		LUMENS	LPW
210SC Model @ 84W	120-277V	14028	167
210SC Model @ 126W	120-277V	20034	159
210SC Model @ 168W	120-277V	25536	152
210SC Model @ 210W	120-277V	31080	148

**DLC CODE**

Part Number	DLC Product ID	DLC Class
LHC-21040-CKWHUD	DLC Product# PMB25ONZ - MLH05210W27V40KMD[Blank,M][Blank,B][Blank or A-Z or a-z or 0-9]	Premium
LHC-21050-CKWHUD	DLC Product# PH5P8V4H - MLH05210W27V50KMD[Blank,M][Blank,B][Blank or A-Z or a-z or 0-9]	Premium

**LHCA SERIES SELECTABLE LINEAR BAY LIGHT**

**SENSOR SPEC**

Model	Type	Mounting	Coverage	Input	Function	Programmable
SENSOR-ANT-6-4T	PIR	up to 40FT	30FT radius	12V DC	On/Off/Dimming	REMOTE-RC100
SENSOR-BLE-6-4T (see page 10 for detail)	PIR	up to 40FT	30FT radius	12V DC	Bluetooth Mesh On/Off/Dimming Daylight Harvesting	ALS Control Bluetooth Mobile App
SENSOR-819-O1 SENSOR-819-O2	PIR	20FT 40FT	30FT radius 30FT radius	Universal	On/Off	-
SENSOR-819-D1 SENSOR-819-D2	PIR	20FT 40FT	30FT radius 30FT radius	Universal	On/Off/Dimming	REMOTE-RC100
SENSOR-BLE-819 (see page 11 for detail)	PIR	L1 - 20FT L2 - 40FT	30FT radius 30FT radius	Universal	Bluetooth Mesh On/Off/Dimming Daylight Harvesting	ALS Control Bluetooth Mobile App
CONTROL-LVFA (see page 8 for detail)	Fixture Controller	-	-	12V DC	Bluetooth Mesh On/Off/Dimming Scheduling	AVI-ON Bluetooth Mobile App
SENSOR-DC-PIR (see page 9 for detail)	PIR	8FT ~ 40FT	45FT radius	AVI-ON Sensor Interface	Bluetooth Mesh Daylight Harvesting Motion	AVI-ON Bluetooth Mobile App



SENSOR-ANT-6-4T  
 SENSOR-BLE-6-4T



SENSOR-819-XX  
 SENSOR-BLE-819



CONTROL-LVFA

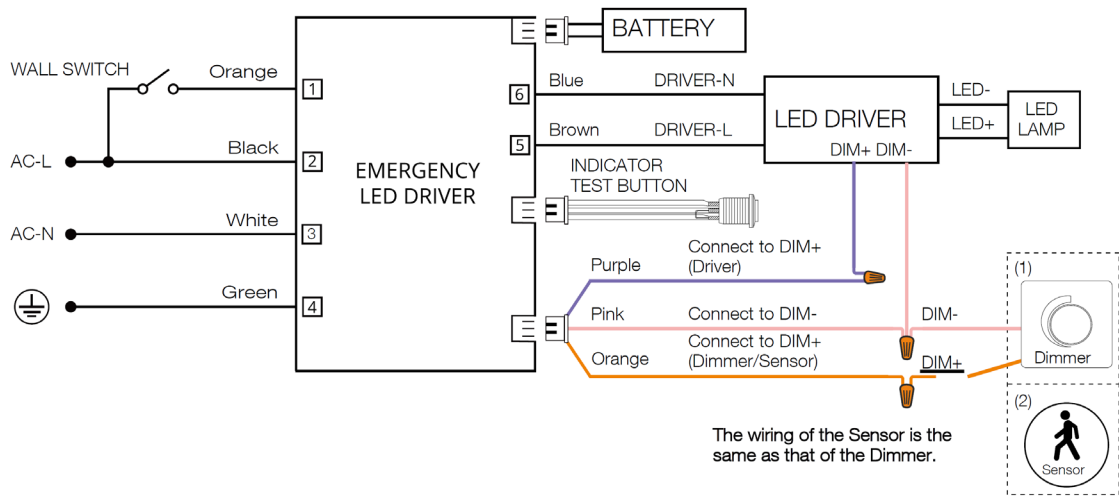


SENSOR-DC-PIR

**LHCA SERIES SELECTABLE LINEAR BAY LIGHT**

**EMB SPEC**

Model	Battery Capacity	Input	Output	Output Power	Operating Temp	Installation
EMB-8W-MST	90mins	100-347VAC	170VDC	8W	10°C ~ 60°C 50°F ~ 140°F	Factory or Field Install



**LHCA SERIES SELECTABLE LINEAR BAY LIGHT**

**CONTROL-LVFA SPEC**

**Status LEDs & Config Button**

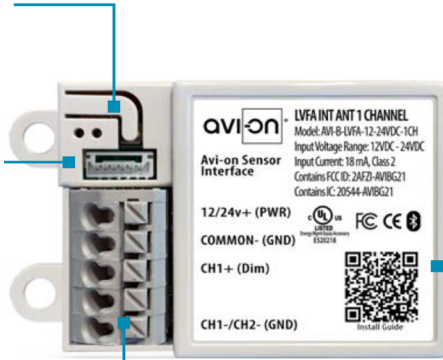
Quick and easy validation of wiring and network

**Direct Connect™ Sensor Port**

Simple and cost-effective addition to Avi-on sensors

**Terminal Blocks & Mounting Tabs**

Faster, easier and lower cost installation eliminating connectors



**Internal Antenna**

Improved performance and eliminates risk of accidentally cutting a hanging wire

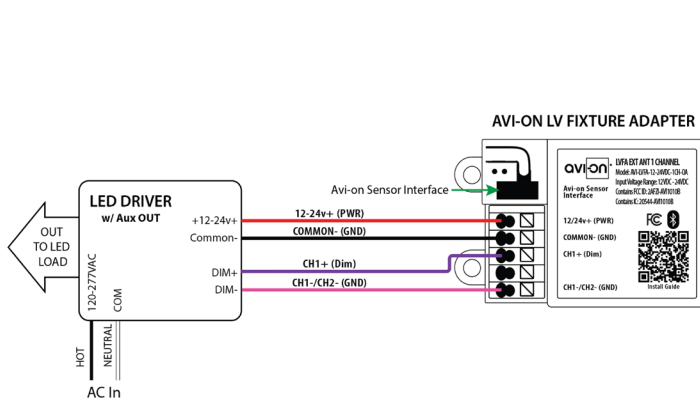
**SPECIFICATIONS**

**INPUT VOLTAGE:** 12-24VDC  
**CURRENT:** 15mA without a Sensor  
 19mA with a DC PIR Sensor  
 48mA with a DC Microwave Sensor  
**0-10V DIMMING:** 12-24VDC  
**SIZE:** 2.30in x 1.43in x 0.75in  
 (58.2mm x 36.4mm x 19mm)  
**MOUNTING:** Removable mounting tabs  
**WEIGHT:** 0.45 oz (16g)  
**OPERATING TEMP:** -22°F to +158°F (-30°C to + 70°C)

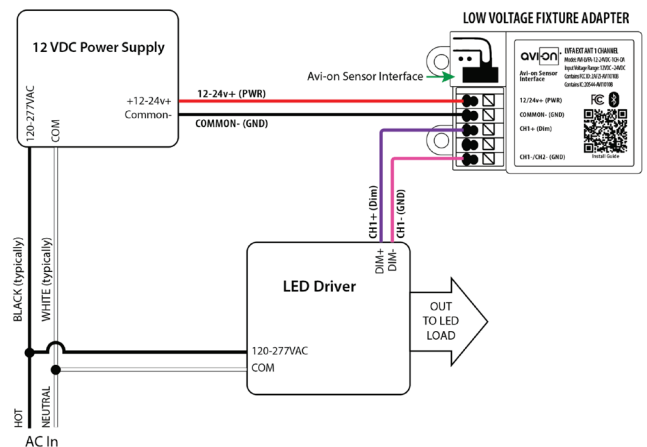
**RADIO FREQUENCY:** 2.4GHz  
**WIRELESS STANDARD:** BLE 4.2 with Mesh  
**POINT TO POINT RANGE\*:** 80ft with obstructions  
 350ft unobstructed  
**SECURITY:** AES 128-bit encryption for device to device communication  
 AES 256-bit encryption for device to cloud communication  
**WARRANTY:** 5 years; 10 years optional  
**REGULATORY:** FCC: 2AFZI-AVI1010 B  
 IC: 20544-AVI1010 B  
 BQB: D031801, DID: 86303  
 UL 916, 2043 (Plenum Rated)

\*When communicating through the mesh, range is essentially unlimited (5000ft+)

**WIRING DIAGRAM**



Fixture adapter powered by LED driver auxiliary output



Fixture adapter connected to LED driver and using power supply



**LHCA SERIES SELECTABLE LINEAR BAY LIGHT**

**SENSOR-DC-PIR SPEC**

Bi Level PIR Motion & Daylighting Sensor  
 Fully Adjustable parameters

Easy Connect to Avi-on Fixture  
 & Zone Controllers  
 3ft and 10ft cable options are easy  
 to install inside or outside fixture



Flexible Mounting Options

- In-fixture
- Ceiling Mount
- Side Mount
- Junction Mount
- IP 67 for Watertight Applications
- UL Indoor Rated

High Resolution Lens & Sensor

A Single product suited for 8' to 40' mounting heights, indoor and outdoor, warehouse and office

**SPECIFICATIONS**

**INPUT VOLTAGE:** AVI-ON Direct Connect Low Voltage DC Sensor Port  
**SIZE:** 2.30in x 1.43in x 0.75in  
 (58.2mm x 36.4mm x 19mm)  
**MOUNTING:** 8FT - 40 FT  
**PIR Head (Ceiling or Fixture):** 1/2in (18mm)  
 Threaded insert size:  
 0.80in (20.5mm) x 0.4in (10mm) tall.  
**Elbow:** Connector thread size:  
 0.80in (20.5mm) x 0.79in (20mm).  
**WEIGHT:** 1.4oz (40g)

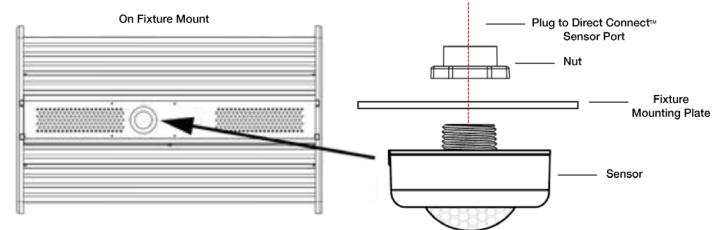
**OPERATING TEMP:** -22°F to +158°F (-30°C to +70°C)  
**STORAGE TEMP:** -40°F to +185°F (-40°C to +85°C)  
**OPERATING MODES:** Occupancy, Vacancy, UV-C safety, B-Level, dim-to-specified level (never off), schedule driven, control zones  
**STATUS LED:** Motion Detection  
**DAYLIGHT HARVESTING:** Open or closed loop  
**DAYLIGHTING RANGE:** 360° X 90°  
**WARRANTY:** 5 years; 10 years optional  
**REGULATORY:** UL 916  
 IP 67 - Sensor Head  
 IP 66 - With Elbow Head

\*Note: Operating controller at or above these levels may result in damage to components/product

**WIRING DIAGRAM**



**MOUNTING DIAGRAM**





# SENSOR-BLE-6-4T BLUETOOTH PIR SENSOR

Client:  
Project:  
Type:  
Quantity:

## FEATURE

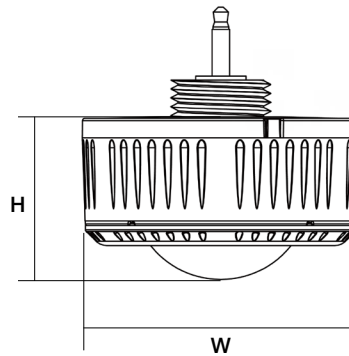
- **Installation:** Plug-N-Play via AUX socket on attached fixture
- **Commissioning:** Wirelessly through ALS Control Mobile App (iOS / Android)
- **Certification:** DLC 5.1 Networked Lighting Control System
- **Control:** Hold time, High-Low setting, continuous Bi-level dimming, Code-compliant manual-on or auto-off capability
- **Sensor:** Motion (Occupancy/Vacancy/Manual) and Daylight Harvesting
- **Room and Zone Control:** Zoning and Grouping control, Scheduling



## SPECIFICATIONS

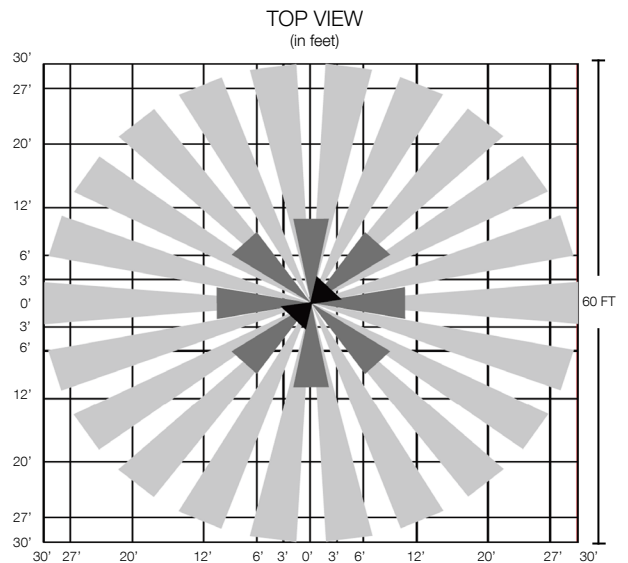
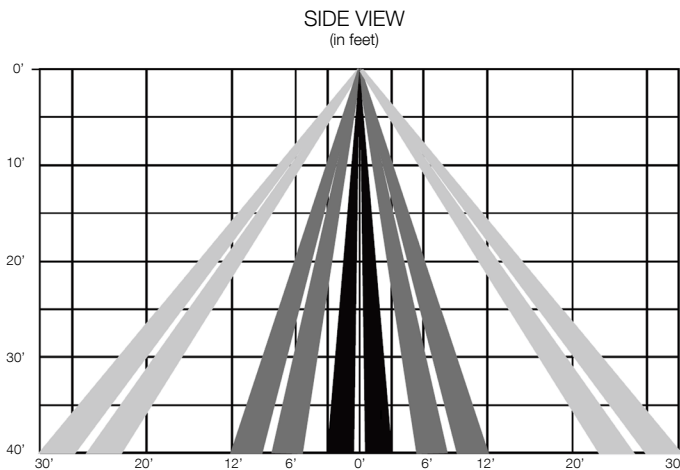
<b>SENSOR TYPE:</b>	Passive Infrared Sensor (PIR)
<b>WIRELESS STANDARDS:</b>	5.0 Bluetooth Mesh
<b>INPUT VOLTAGE:</b>	12-24VDC, >50mA
<b>CONTROL OUTPUT:</b>	0-10V
<b>OPERATING TEMP:</b>	-4°F ~ +140°F (-20°C ~ +60°C)
<b>COMMISSIONING RANGE:</b>	50FT
<b>BLUETOOTH RANGE:</b>	164FT
<b>DETECTION ANGLE:</b>	360°
<b>MOUNTING HEIGHT:</b>	Up to 40FT
<b>WARRANTY:</b>	5 years
<b>IP RATING:</b>	IP65

## DIMENSIONS



H	W
1.03" (26.2mm)	2.17" (55mm)

## COVERAGE PATTERNS



**FEATURE**

- **Installation:** Factory or Field Install End Mount to Fixture
- **Commissioning:** Wirelessly through ALS Control Mobile App (iOS / Android)
- **Certification:** DLC 5.1 Networked Lighting Control System
- **Control:** Hold time, High-Low setting, continuous Bi-level dimming, Code-compliant manual-on or auto-off capability
- **Sensor:** Motion (Occupancy/Vacancy/Manual) and Daylight Harvesting
- **Room and Zone Control:** Zoning and Grouping control, Scheduling

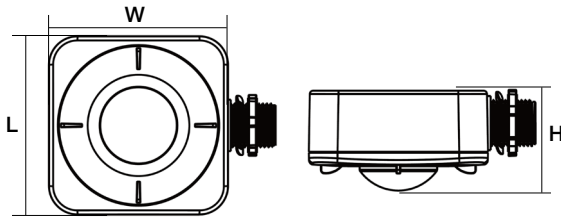


**SPECIFICATIONS**

**SENSOR TYPE:** Passive Infrared Sensor (PIR)  
**WIRELESS STANDARDS:** Bluetooth SIG Mesh  
**INPUT VOLTAGE:** 120/277VAC  
**CONTROL OUTPUT:** 0-10V  
**OPERATING TEMP:** -40°F ~ +167°F (-40°C ~ +75°C)

**COMMISSIONING RANGE:** 50FT  
**BLUETOOTH RANGE:** Integral antenna up to 100FT  
**DETECTION ANGLE:** Vertical 90° x Horizontal 360°  
**MOUNTING HEIGHT:** 8 - 40FT  
**WARRANTY:** 5 years  
**IP RATING:** IP20 Damp

**DIMENSIONS**



L	W	H
3.19" (81mm)	4.02" (102mm)	1.70" (43.3mm)

**COVERAGE PATTERNS**

