



HBA2 SERIES WET LOCATION BAY LIGHT

Client:
Project:
Type:
Quantity:

CONSTRUCTION

Single piece die-cast aluminum housing, maximizes heat dissipation and life expectancy of the luminaire.

IP66 rated protection against dust and water.

IK08 rated protected against 5 joules impact, equivalent to impact of 1.7kg mass dropped from 300mm above impacted surface.

Suitable for interior/exterior, wet, high pressure washdown applications.

OPTICS

Standard clear polycarbonate lens protects LEDs against solid and liquid impact, symmetric LED board layout offers maximum uniformity illumination.

ELECTRICAL

80 CRI Lumileds LED.

-40°C up to 55°C (-40°F up to 131°F) maximum operating temperature.

Long-life 54,000 hr LED at L70.

Available with CCT / Output selectable function.

Universal Input 100-280V, 0-10V dimming, output 36V-42V, with 12V AUX output, 50/60Hz, <15% THD, 0.9 power factor. - see Driver Spec (Pg 8)

Optional 347/480V input.

Optional dimming sensor for occupancy and ambient light level detection.

SENSORS (OPTIONAL)

SENSOR-ANT-6-4T Plug-N-Play PIR on/off/dimming/photosensing.

SENSOR-BLE-6-4T Integral PIR ALS Control bluetooth/on/off/dimming/photosensing.

MOUNTING

Standard Snap Hook w/Safety Cable included.

Optional 3/4" Pipe to Hook Adapter.

Optional Yoke mount bracket.

STANDARD FINISH

Corrosion resistant semi-gloss Black or White finish.

CERTIFICATION

IP66 Wet location label standard. IK08 Rated.

Meets Buy America Act requirements.

Available for BAA Compliant projects.

All luminaires are built to UL1598 standards and bear appropriate cULus labels.

For Emergency application, equipment with UL924 certified battery packs.

DLC® Premium (DesignLights Consortium Qualified)

WARRANTY

5 year warranty, see Limited Warranty for additional information.



w/Optional Sensor

SHIPPING DATA

| Product | Measurement | Weight |
|----------|-------------------|--------|
| HBA2-160 | 15"L x 15"W x 5"H | 8 lb |
| HBA2-250 | 15"L x 15"W x 7"H | 8 lb |



HBA2 SERIES WET LOCATION BAY LIGHT

ORDER INFORMATION **EXAMPLE : HBA2 160 SC C BK UD**

| Fixture | Series | Power & LM | CCT | Lens | Finish | Input |
|---------|-------------|------------|-----|----------|-----------|-----------|
| | HBA2 | | | C | BK | UD |

A SERIES

HBA2 LED Bay Light Selectable (HBA Gen 2)

B POWER & LM

| Code | Power | LM |
|------------|---|-----------------------------------|
| 160 | Field Selectable 80 / 100 / 120 / 160W | 10,560 / 15,600 / 18,720 / 24,960 |
| 250 | Field Selectable 120 / 150 / 200 / 250W | 16,200 / 23,400 / 31,200 / 39,000 |

C CCT

SC Field Selectable 3000 / 4000 / 5000K

D LENS

C Clear Polycarbonated Lens

E FINISH

BK Black **WH** White

F INPUT

UD 120-277V, 0-10V Dimmable **MD** 120-347V, 0-10V Dimmable
HD 347~480V, 0-10V Dimmable

HBA2 SERIES WET LOCATION BAY LIGHT

ORDER INFORMATION (CONTINUED)

Mounting

Accessories

Options

G MOUNTING

| | |
|---------------|---|
| blank | Snap Hook Mount w/Safety Cable (standard) |
| MOUNT-HB-HOOK | 3/4" Pipe to Hook Pendant Mount Adapter |
| MOUNT-HBA2-YM | Yoke Mount |

H ACCESSORIES/OPTIONS

| | |
|---------------------|--|
| AIA | Assembled in America, compliant with BAA (COTS) |
| SENSOR-ANT-6-4T* | Integral PIR on/off/dimming/photosensing |
| SENSOR-ANT-6-4T-EM* | Integral PIR on/off/dimming/photosensing with EMB |
| SENSOR-BLE-6-4T* | "Plug-N-Play" Integral Bluetooth Daylight Harvesting Sensor (ALS Control Mobile App) |
| REMOTE-RC100 | Handheld Remote Commissioning Tool for SENSOR-ANT (1 per job) |
| EMB-25W** | External 25W Vertical-Hang Emergency Battery for 100W or below setting |
| EMB-40W** | External 40W Vertical-Hang Emergency Battery for 250W or below setting |
| EMB-40W-550** | 480V Input 550V DC Output 40W Emergency Battery for Highbay |
| LENS-HB100A-AR / PR | HBA2-160 AR - Aluminum Reflector / PR - Prismatic Reflector |
| LENS-HB250A-AR / PR | HBA2-250 AR - Aluminum Reflector / PR - Prismatic Reflector |
| -CORD | 18-3 300V 6 Foot Cord |
| -PLUG | 6 Foot Cord and 3 Prong Plug |
| TWIST-LOCK | Specify Plug Type: L515P / L715P / HBL5929 / L8-20P |

*see page 9 for sensor spec

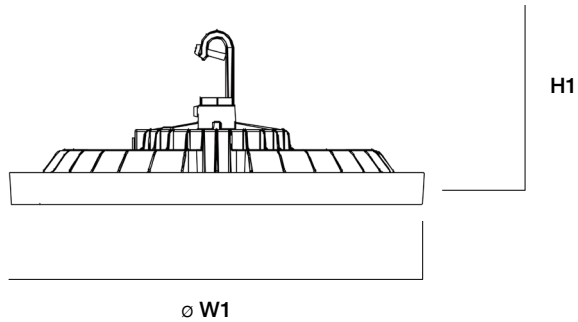
**see page 6 for emb spec

HBA2 SERIES WET LOCATION BAY LIGHT

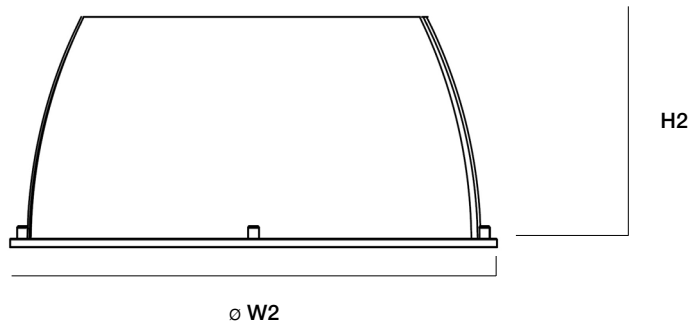
DIMENSIONS

| Model | H1 | H2 | H3 | W1 | W2 | W3 |
|---------------------|---------------|---------------|---------------|------------------|------------------|----------------|
| HBA2-160 | 5.78" (147mm) | | | ∅ 10.83" (275mm) | | |
| HBA2-250 | 5.96" (151mm) | | | ∅ 13.38" (340mm) | | |
| LENS-HB200A-PR / AR | | 6.46" (164mm) | | | ∅ 13.97" (355mm) | |
| LENS-HB250A-PR / AR | | 6.46" (164mm) | | | ∅ 13.97" (355mm) | |
| MOUNT-HBA2-YM | | | 7.14" (181mm) | | | 10.33" (262mm) |

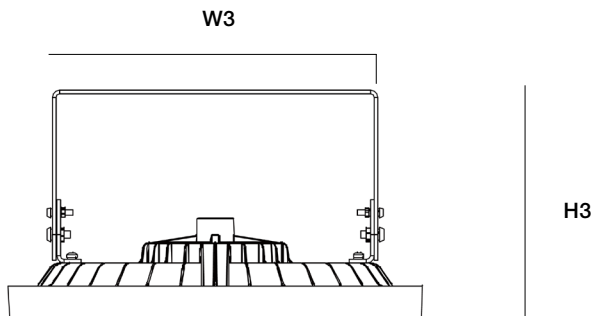
Luminaire



PR / AR Lens



Luminaire w/Yoke



HBA2 SERIES WET LOCATION BAY LIGHT

PERFORMANCE

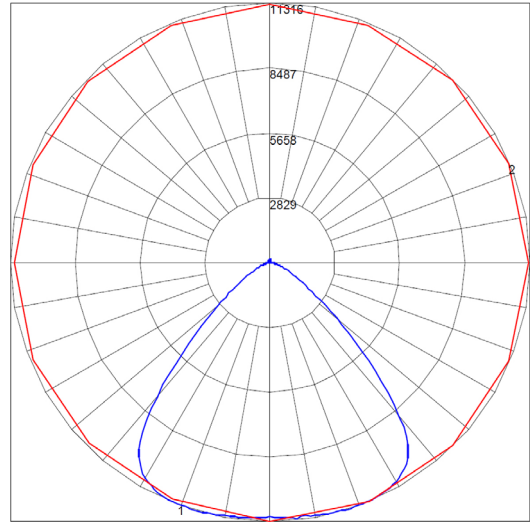
HBA2-160SC

| Zone | Lumen | Luminaire% |
|-------|-------|------------|
| 0-30 | 9398 | 40.10 |
| 0-40 | 15620 | 66.70 |
| 0-60 | 21965 | 93.70 |
| 0-90 | 23151 | 98.80 |
| 0-180 | 23431 | 100 |

Lumen: 23431
 Input Watts: 150 W
 Efficacy: 156 LPW

Maximum Candela = 11316.38 Located At Horizontal Angle = 270, Vertical Angle = 17
 # 1 - Vertical Plane Through Horizontal Angles (270 - 90) (Through Max. Cd.)
 # 2 - Horizontal Cone Through Vertical Angle (17) (Through Max. Cd.)

IES: HBA2-160SC @ 160W 4000K



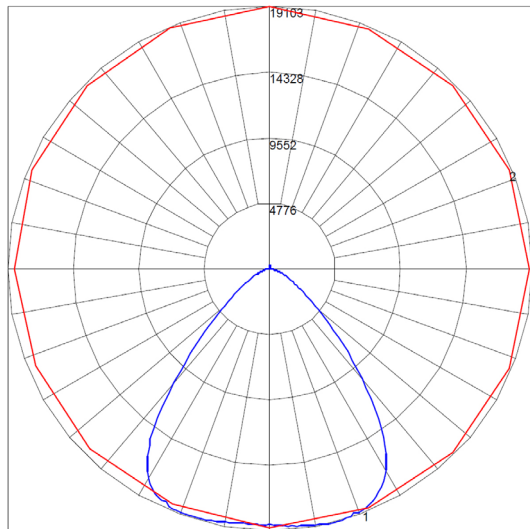
HBA2-250SC

| Zone | Lumen | Luminaire% |
|-------|-------|------------|
| 0-30 | 15562 | 44.10 |
| 0-40 | 24546 | 69.50 |
| 0-60 | 33031 | 93.50 |
| 0-90 | 34902 | 98.80 |
| 0-180 | 35316 | 100 |

Lumen: 35316
 Input Watts: 226.8 W
 Efficacy: 156 LPW

Maximum Candela = 19103.439 Located At Horizontal Angle = 90, Vertical Angle = 14
 # 1 - Vertical Plane Through Horizontal Angles (90 - 270) (Through Max. Cd.)
 # 2 - Horizontal Cone Through Vertical Angle (14) (Through Max. Cd.)

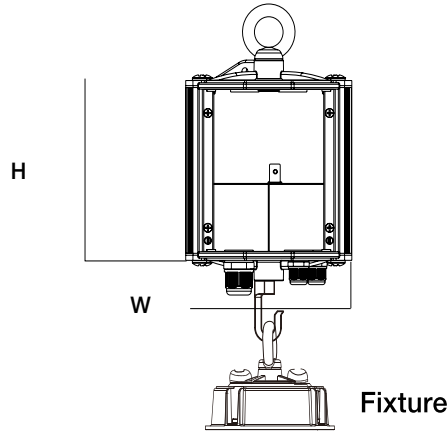
IES: HBA2-250SC @ 250W 4000K



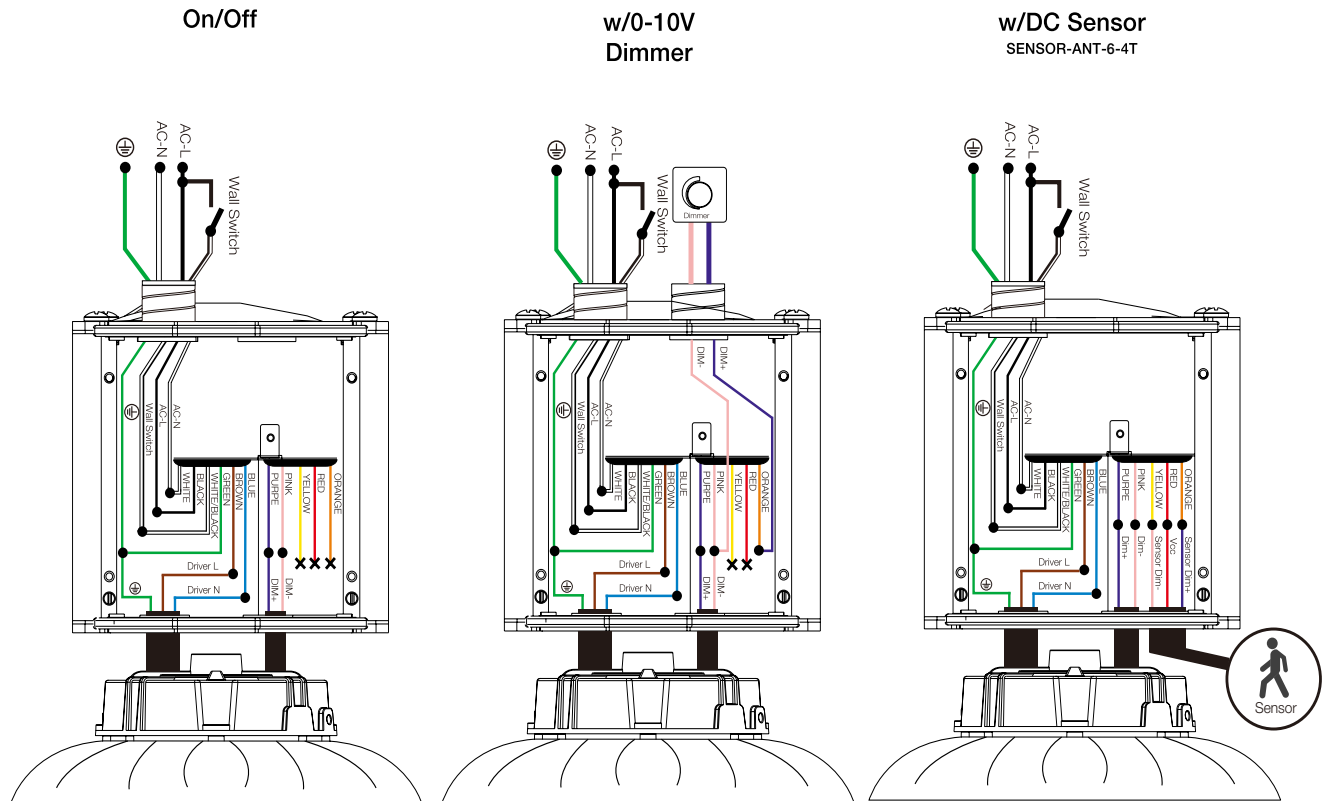
HBA2 SERIES WET LOCATION BAY LIGHT

EMERGENCY BATTERY

| Model | H | W | Compatible |
|-------------|---------------|-----------------|----------------|
| EMB-25W | 6.80" (173mm) | ø 5.47" (139mm) | 100W |
| EMB-40W | 6.80" (173mm) | ø 5.47" (139mm) | 250W and below |
| EMB-40W-550 | 6.80" (173mm) | ø 5.47" (139mm) | |



EMERGENCY BATTERY DIAGRAM





HBA2 SERIES WET LOCATION BAY LIGHT

PERFORMANCE DATA / DLC CODE

| SYSTEM WATTS | CCT | VOLTAGE | LUMEN | LPW | QTY ON PALLET | PART NUMBER | DLC PRODUCT ID / ORDER CODE | DLC CLASS |
|----------------------------|-------|----------|-------|-----|---------------|------------------|-----------------------------|-----------------|
| HBA2-160 80W Selection | 3000K | 120-277V | 10560 | 132 | 90 | HBA2-160SC-CXXUD | Pending | DLC 5.1 Premium |
| | 4000K | 120-277V | 12480 | 156 | 90 | | Pending | DLC 5.1 Premium |
| | 5000K | 120-277V | 11760 | 147 | 90 | | Pending | DLC 5.1 Premium |
| HBA2-160 100W Selection | 3000K | 120-277V | 13200 | 132 | 90 | | Pending | DLC 5.1 Premium |
| | 4000K | 120-277V | 15600 | 156 | 90 | | Pending | DLC 5.1 Premium |
| | 5000K | 120-277V | 14700 | 147 | 90 | | Pending | DLC 5.1 Premium |
| HBA2-160 120W Selection | 3000K | 120-277V | 15840 | 132 | 90 | | Pending | DLC 5.1 Premium |
| | 4000K | 120-277V | 18720 | 156 | 90 | | Pending | DLC 5.1 Premium |
| | 5000K | 120-277V | 17640 | 147 | 90 | | Pending | DLC 5.1 Premium |
| HBA2-160 160W Selection | 3000K | 120-277V | 21120 | 132 | 90 | | Pending | DLC 5.1 Premium |
| | 4000K | 120-277V | 24960 | 156 | 90 | | Pending | DLC 5.1 Premium |
| | 5000K | 120-277V | 23520 | 147 | 90 | | Pending | DLC 5.1 Premium |
| HBA2-250 120W Selection | 3000K | 120-277V | 16200 | 135 | 90 | HBA2-250SC-CXXUD | Pending | DLC 5.1 Premium |
| | 4000K | 120-277V | 18720 | 156 | 90 | | Pending | DLC 5.1 Premium |
| | 5000K | 120-277V | 17280 | 144 | 90 | | Pending | DLC 5.1 Premium |
| HBA2-250 150W Selection | 3000K | 120-277V | 20250 | 135 | 90 | | Pending | DLC 5.1 Premium |
| | 4000K | 120-277V | 23400 | 156 | 90 | | Pending | DLC 5.1 Premium |
| | 5000K | 120-277V | 21600 | 144 | 90 | | Pending | DLC 5.1 Premium |
| HBA2-250 200W Selection | 3000K | 120-277V | 27000 | 135 | 90 | | Pending | DLC 5.1 Premium |
| | 4000K | 120-277V | 31200 | 156 | 90 | | Pending | DLC 5.1 Premium |
| | 5000K | 120-277V | 28800 | 144 | 90 | | Pending | DLC 5.1 Premium |
| HBA2-250 250W Selection | 3000K | 120-277V | 33750 | 135 | 90 | | Pending | DLC 5.1 Premium |
| | 4000K | 120-277V | 39000 | 156 | 90 | | Pending | DLC 5.1 Premium |
| | 5000K | 120-277V | 36000 | 144 | 90 | | Pending | DLC 5.1 Premium |

HBA2 SERIES WET LOCATION BAY LIGHT

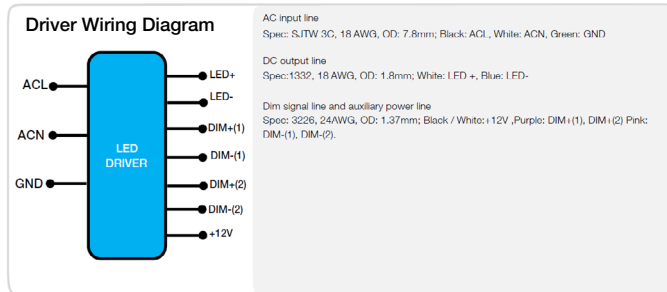
DRIVER SPECIFICATION

HBA2-160 Driver Spec

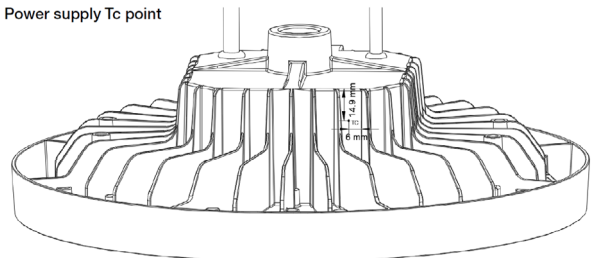
- Driver Type: Potted Driver
- Input: 120-277Vac / 347~480Vac
- Output Wattage: 162.5W Max
- Output Voltage: 130Vdc Max
- Output Current: 1.155A ~ 1.25A
- Power Factor: 0.91
- THD: 17% MAX
- Dimming: 0-10V Dim to Off
- AUX Output: 12Vdc
- MAX Temp: 90°C

HBA2-250 Driver Spec

- Driver Type: Potted Driver
- Input: 120-277Vac / 347~480Vac
- Output Wattage: 260W Max
- Output Voltage: 130Vdc Max
- Output Current: 1.8A ~ 2.0A
- Power Factor: 0.93
- THD: 17% MAX
- Dimming: 0-10V Dim to Off
- AUX Output: 12Vdc
- MAX Temp: 90°C



Power supply Tc point



HBA2 SERIES WET LOCATION BAY LIGHT

SENSOR SPEC

| Model | Type | Mounting | Coverage | Input | Function | Programmable |
|---|------|------------|-------------|--------|---|--|
| SENSOR-ANT-6-4T SENSOR-ANT-6-4T-EM | PIR | up to 40FT | 30FT radius | 12V DC | On/Off/Dimming | REMOTE-RC100 |
| SENSOR-BLE-6-4T (see page 10 for detail) | PIR | up to 40FT | 30FT radius | 12V DC | Bluetooth Mesh On/Off/Dimming Daylight Harvesting | ALS Control Bluetooth Mobile App |



SENSOR-ANT-6-4T
 SENSOR-ANT-6-4T-EM
 SENSOR-BLE-6-4T



SENSOR-BLE-6-4T BLUETOOTH PIR SENSOR

Client:
Project:
Type:
Quantity:

FEATURE

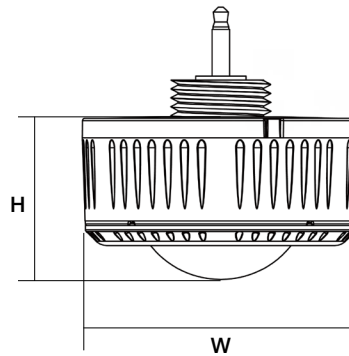
- **Installation:** Plug-N-Play via AUX socket on attached fixture
- **Commissioning:** Wirelessly through ALS Control Mobile App (iOS / Android)
- **Certification:** DLC 5.1 Networked Lighting Control System
- **Control:** Hold time, High-Low setting, continuous Bi-level dimming, Code-compliant manual-on or auto-off capability
- **Sensor:** Motion (Occupancy/Vacancy/Manual) and Daylight Harvesting
- **Room and Zone Control:** Zoning and Grouping control, Scheduling



SPECIFICATIONS

| | |
|-----------------------------|-------------------------------|
| SENSOR TYPE: | Passive Infrared Sensor (PIR) |
| WIRELESS STANDARDS: | 5.0 Bluetooth Mesh |
| INPUT VOLTAGE: | 12-24VDC, >50mA |
| CONTROL OUTPUT: | 0-10V |
| OPERATING TEMP: | -4°F ~ +140°F (-20°C ~ +60°C) |
| COMMISSIONING RANGE: | 50FT |
| BLUETOOTH RANGE: | 164FT |
| DETECTION ANGLE: | 360° |
| MOUNTING HEIGHT: | Up to 40FT |
| WARRANTY: | 5 years |
| IP RATING: | IP65 |

DIMENSIONS



| H | W |
|-------------------|-----------------|
| 1.03" (26.2mm) | 2.17" (55mm) |

COVERAGE PATTERNS

