

**WFA SERIES SLIM FULL CUTOFF WALL PACK**

Client:  
 Project:  
 Type:  
 Quantity:

**CONSTRUCTION**

Sleek and modern design, die-cast aluminum housing, rugged design protects internal components and provides excellent thermal management.  
 Hidden door assembly hinges on the side, cast aluminum housing with 1/2" conduit entries (on top and side) for surface conduit.

**OPTICS**

Full cut-off distribution conform to dark sky requirement - individual acrylic LED optics provide IES Type IV distribution.  
 Standard model - Light engines available between 4000K, 5000K (80+ CRI)  
 SC model - Light engines are selectable between 3000K, 4000K, and 5000K (80+ CRI) configurations.

**ELECTRICAL**

80+ CRI Lumileds LED.  
 -40°C up to 40°C (-40°F up to 104°F) maximum operating temperature.  
 >54,000 hr LED at L70.  
 Driver operates at 120-277V input, 50/60Hz, <20% THD, 0.9 power factor, 1-10V dimmable.  
 Optional 10kV surge protector.  
 Optional 347V / 480V Driver.  
 Optional Self-Diagnostic emergency back up.

**SENSOR (OPTIONAL)**

SENSOR-PH-PB-U Integral button style photocell.  
 CONTROL-LVFA AVI-ON Bluetooth Mesh Controller.

**MOUNTING**

Wall mount over electrical box or via surface conduit.

**STANDARD FINISH**

Corrosion resistant Dark Bronze powder coating finish.

**CUSTOM FINISH**

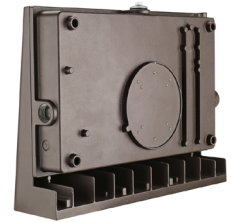
Black, Graphite Metallic, Gray, Silver, and White, or custom RAL#.

**CERTIFICATION**

Wet Location Listed.  
 Meets Buy America Act requirements.  
 IDA compliant: with 3000K color temperature selection.  
 Title 24 compliant; see local ordinance for qualification information.  
 All luminaires are built to UL1598 standards and bear appropriate cULus labels.  
 For Emergency application, equipped with UL924 certified battery packs.  
 DLC® Premium (DesignLights Consortium Qualified) listed.

**WARRANTY**

5 year warranty, see Limited Warranty for additional information.



**SHIPPING DATA**

Product	Measurement	Weight
WFA-3SC	15"L x 5"W x 11"H	8 lb
WFA-26/38	15"L x 5"W x 11"H	8 lb
WFA-6SC	15"L x 6"W x 11"H	10 lb
WFA-65	15"L x 5"W x 11"H	10 lb
WFA-10SC	15"L x 5"W x 11"H	10 lb



**WFA SERIES SLIM FULL CUTOFF WALL PACK**

**ORDER INFORMATION** **EXAMPLE: WFA 3 SC DB UD**

Fixture	Series	Power & LM	CCT	Finish	Input
	<b>WFA</b>		<b>SC</b>		

Accessories  
Options

**A SERIES**

WFA Slim Full Cutoff Wall Pack

**B POWER & LM** **B POWER & LM (NON-DIMMABLE)**

Code	Power
<b>3</b>	Selectable 17W / 23W / 30W / 38W
<b>6</b>	Selectable 24W / 34W / 49W / 65W
<b>10</b>	Selectable 42W / 62W / 84W / 100W

Code	Power
<b>26</b>	26W
<b>38</b>	38W
<b>65</b>	65W
<b>100</b>	100W
<b>135</b>	135W

**C CCT** **C CCT (NON-DIMMABLE)**

SC CCT Selectable: 3000K / 4000K / 5000K

<b>40</b>	4000K
<b>50</b>	5000K

**D FINISH**

Standard

**DB** Dark Bronze

Custom Color

<b>CC</b>	<b>BK</b> Black	<b>GM</b> Graphite Metallic	<b>GR</b> Gray
	<b>SV</b> Silver	<b>WH</b> White	<b>RAL#</b>

**E INPUT** **E INPUT (NON-DIMMABLE)**

<b>UD</b>	120-277V, 0-10 dimming
<b>HD</b>	347-480V, 0-10 dimming

<b>U</b>	120-277V, non-dimming
<b>H</b>	347-480V, non-dimming

**F ACCESSORIES/OPTIONS**

<b>AIA</b>	Assembled in America, compliant with BAA (COTS)
<b>EMB-8W-B*</b>	8W Emergency Battery 170VDC Forward Voltage
<b>EMB-18W-C-B*</b>	18W Integral Self-Diagnostic Cold Weather Emergency Battery
<b>EMB-CM08D*</b>	8W Integral Self-Diagnostic Emergency Battery for Non-Dimmable Fixture
<b>SENSOR-PH-PB-U*</b>	Button Style Photocell
<b>CONTROL-LVFA*</b>	AVI-ON Bluetooth Mesh Control System
<b>SURGE-LSP4-U / H</b>	10kV inline Surge Protection for Universal input / <b>U</b> : 120-277V, <b>H</b> : 480V input

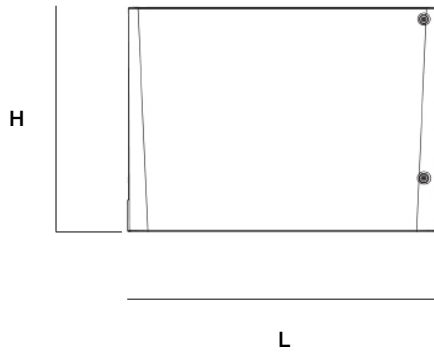
\*see page 5 for sensor and emb spec

**WFA SERIES SLIM FULL CUTOFF WALL PACK**

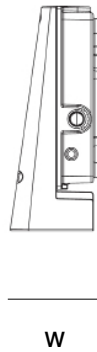
**DIMENSIONS**

Model	L	W	H
WFA-3 / 6 WFA-26 / 38 WFA-65 / 100 / 135	13.1" (333mm)	3.8" (98mm)	9.6" (243mm)
WFA-10	13.2" (335mm)	5.0" (126mm)	9.6" (243mm)

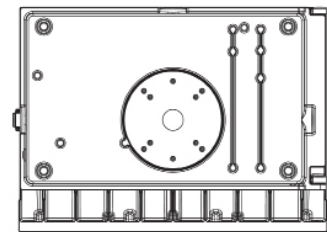
Front



Side



Back



## WFA SERIES SLIM FULL CUTOFF WALL PACK

### PERFORMANCE DATA

SYSTEM WATTS	VOLTAGE	3000K		4000K		5000K	
		LUMEN	LPW	LUMENS	LPW	LUMENS	LPW
WFA-3 (17W)	120-277V	2,414	142	2,618	154	2,482	146
WFA-3 (23W)	120-277V	3,266	142	3,634	158	3,358	146
WFA-3 (30W)	120-277V	4,410	147	4,740	158	4,500	150
WFA-3 (38W)	120-277V	5,586	147	6,004	158	5,700	150
WFA-26	120-277V	-	-	3,900	150	3,900	150
WFA-38	120-277V	-	-	5,700	150	5,700	150
WFA-65	120-277V	-	-	9,685	149	9,685	149
WFA-6 (24W)	120-277V	3,408	142	3,696	154	3,504	146
WFA-6 (34W)	120-277V	4,998	147	5,372	158	4,964	146
WFA-6 (49W)	120-277V	7,203	147	7,546	154	7,105	145
WFA-6 (65W)	120-277V	9,295	143	10,075	155	9,425	145
WFA-10 (42W)	120-277V	5,964	142	6,468	154	6,132	146
WFA-10 (62W)	120-277V	9,052	146	9,548	154	9,238	149
WFA-10 (84W)	120-277V	12,348	147	12,936	154	12,180	145
WFA-10 (100W)	120-277V	14,800	148	15,500	155	15,000	150
WFA-100	120-277V	-	-	15,000	150	15,000	150
WFA-135	120-277V	-	-	19,980	148	19,980	148

### DLC CODE

Part Number	DLC Product ID	DLC Class
WFA-3SC-XX-UD	S-LHWQPQ	Premium
WFA-6SC-XX-UD / WFA-6SC-XX-HD	S-GXFCW3 / S-6JK4SL	Premium
WFA-10SC-XX-UD / WFA-10SC-XX-HD	S-TYRN95 / S-4KJWBS	Premium

**WFA SERIES SLIM FULL CUTOFF WALL PACK**

**SENSOR SPEC**

Model	Type	Mounting	Coverage	Input	Function	Programmable
SENSOR-PH-PB-U	-	-	-	Universal	Dusk-to-Dawn Control	-
CONTROL-LVFA (see page 6 for detail)	Fixture Controller	-	-	12V DC	Bluetooth Mesh On/Off/Dimming Scheduling	AVI-ON Bluetooth Mobile App



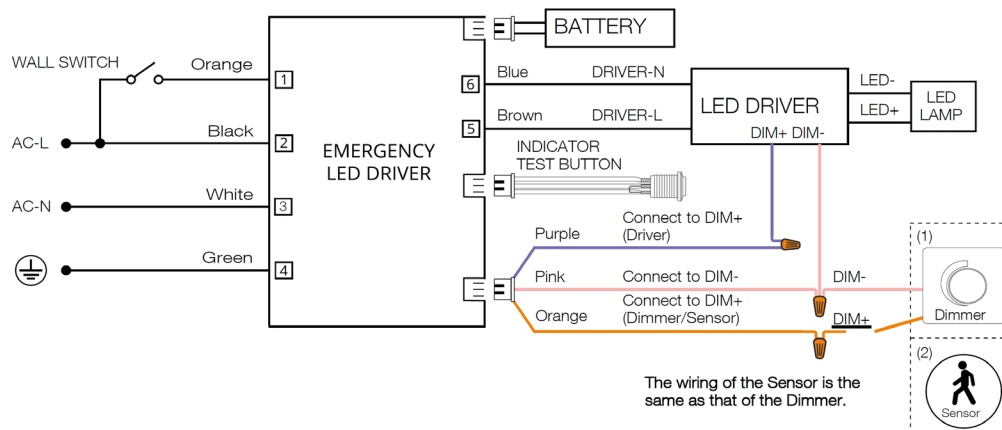
SENSOR-PH-PB-U



CONTROL-LVFA

**EMB SPEC**

Model	Battery Capacity	Input	Output	Output Power	Operating Temp	Installation
EMB-8W-B	90mins	100-347VAC	170VDC	8W	0°C ~ 50°C 32°F ~ 122°F	Factory or Field Install
EMB-CM08D	90mins	100-347VAC	170VDC	8W	0°C ~ 50°C 32°F ~ 122°F	Factory or Field Install
EMB-18W-C-B	90mins	100-347VAC	170VDC	18W	-20C ~ 50C -4°F ~ 122°F	Factory or Field Install



**WFA SERIES SLIM FULL CUTOFF WALL PACK**

**CONTROL-LVFA SPEC**

**Status LEDs & Config Button**

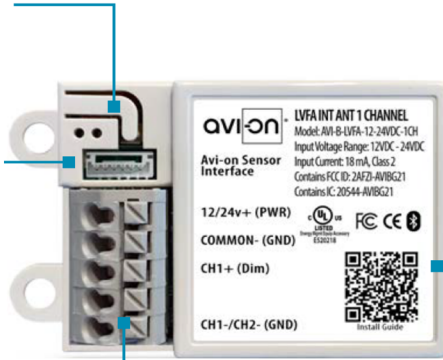
Quick and easy validation of wiring and network

**Direct Connect™ Sensor Port**

Simple and cost-effective addition to Avi-on sensors

**Terminal Blocks & Mounting Tabs**

Faster, easier and lower cost installation eliminating connectors



**Internal Antenna**

Improved performance and eliminates risk of accidentally cutting a hanging wire

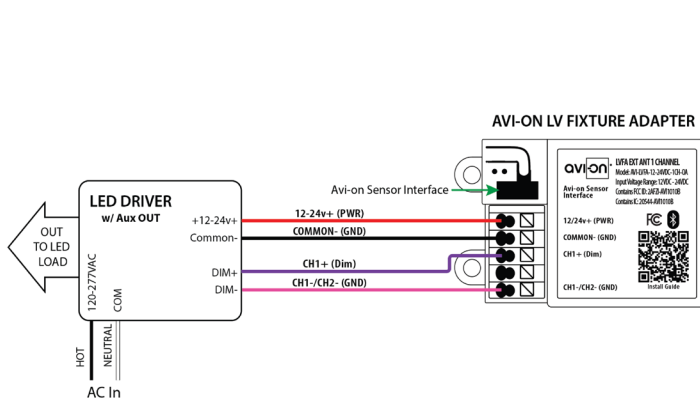
**SPECIFICATIONS**

**INPUT VOLTAGE:** 12-24VDC  
**CURRENT:** 15mA without a Sensor  
 19mA with a DC PIR Sensor  
 48mA with a DC Microwave Sensor  
**0-10V DIMMING:** 12-24VDC  
**SIZE:** 2.30in x 1.43in x 0.75in  
 (58.2mm x 36.4mm x 19mm)  
**MOUNTING:** Removable mounting tabs  
**WEIGHT:** 0.45 oz (16g)  
**OPERATING TEMP:** -22°F to +158°F (-30°C to + 70°C)

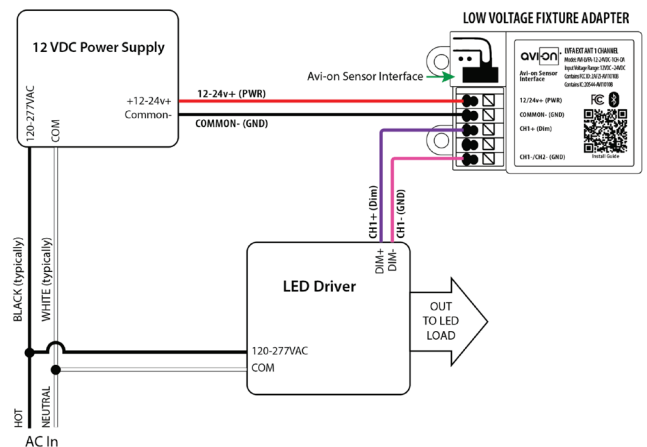
**RADIO FREQUENCY:** 2.4GHz  
**WIRELESS STANDARD:** BLE 4.2 with Mesh  
**POINT TO POINT RANGE\*:** 80ft with obstructions  
 350ft unobstructed  
**SECURITY:** AES 128-bit encryption for device to device communication  
 AES 256-bit encryption for device to cloud communication  
**WARRANTY:** 5 years; 10 years optional  
**REGULATORY:** FCC: 2AFZI-AVI1010 B  
 IC: 20544-AVI1010 B  
 BQB: D031801, DID: 86303  
 UL 916, 2043 (Plenum Rated)

\*When communicating through the mesh, range is essentially unlimited (5000ft+)

**WIRING DIAGRAM**



Fixture adapter powered by LED driver auxiliary output



Fixture adapter connected to LED driver and using power supply