

**CONTRACTOR SERIES LINEAR STRIP**

Client:  
Project:  
Type:  
Quantity:

**CONSTRUCTION**

Slim compact design channel formed from cold-rolled 22-gauge steel with matte White finish. 1/2" knockout made on end cap for sensor or surface conduit mount.

**OPTICS**

End-to-end U-shaped frosted polycarbonate (PC) lens standard.

**ELECTRICAL**

Delivered 130lm/W efficacy LEDs offer 80+ color rendering index (CRI), L70 >100,000 hours expected life.

-40°C up to 50°C (-40°F up to 122°F) maximum operating temperature.

Selectable lumen and CCT technology allows easy field-adjustable capability.

Luminaire ships with maximum output and 4000K CCT setting.

Driver operates at 120-277V input, 0-10V dimmable driver, dimmable down to 10%.

Optional 10kV surge protector.



**MOUNTING**

Designed for direct wiring, surface mountable underneath electrical box.

5" OD beauty ring included.

**SENSORS (OPTIONAL)**

SENSOR-819-O1 End mount on/off motion sensor with lowbay lens.

SENSOR-819-D1 End mount on/off/dimming and photocell sensor with lowbay lens.

SENSOR-BLE-819 End mount ALS CONTROL bluetooth on/off motion sensor lowbay lens.

**STANDARD FINISH**

Semi-gloss White finish, suitable for damp location.

**CERTIFICATION**

Damp location label standard.

All luminaires are built to UL1598 standards and bear appropriate cULus labels.

For Emergency application, equipment with UL924 certified battery packs.

DLC<sup>®</sup> Standard (DesignLights Consortium Qualified).

**WARRANTY**

5 year warranty, see Limited Warranty for additional information.



**CONTRACTOR SERIES LINEAR STRIP**

**ORDER INFORMATION** **EXAMPLE: CSL 4SMC WH UD**

Fixture	Series	Size	Finish	Input
	<b>CSL</b>	<b>4SMC</b>	<b>WH</b>	<b>UD</b>

Accessories  
Options

**A SERIES**

<b>CSL</b>	Contractor Series - Linear Strip
------------	----------------------------------

**B SIZE**

Code	Size	Power	CCT
<b>4SMC</b>	4-Foot	34W / 38W / 45W	3500K / 4000K / 5000K
<b>8SMC</b>	8-Foot	65W / 75W / 90W	3500K / 4000K / 5000K

**C FINISH**

<b>WH</b>	White
-----------	-------

**D INPUT**

<b>UD</b>	120-277V, 0-10V Dimmable
-----------	--------------------------

**E ACCESSORIES/OPTIONS**

<b>SURGE-LSP4-U</b>	10kV Inline Surge Protection for Universal Input / <b>U:</b> 120-277V
<b>MOUNT-HIGHBAY-CK</b>	Gripple Hanger Kit With V-Hook (Pair)
<b>SENSOR-819-O1</b>	End mount on/off motion sensor with lowbay lens
<b>SENSOR-819-D1*</b>	End Mount On/Off/Dimming and Photocell Sensor With Lowbay Lens
<b>REMOTE-RC100</b>	Handheld Remote Commissioning Tool for SENSOR-819-D1 Only
<b>SENSOR-BLE-819-L1*</b>	End Mount PIR Bluetooth Daylight Harvesting Sensor (ALS Control Mobile App) / L1: up to 20FT
<b>EMB-8W-B*</b>	High Voltage Output Smart Emergency Battery 8W 100-347VAC Input 170VDC Output
<b>-CORD</b>	18-3 300V 6 Foot Cord
<b>-PLUG</b>	18-3 300V 6 Foot and 3 Prong Plug

\*see page 5 for sensor and EMB spec

**CONTRACTOR SERIES LINEAR STRIP**

**DIMENSIONS**

Model	L	W	H
CSL-4S	48.00" (1219mm)	2.00" (48mm)	2.50" (64mm)
CSL-8S	95.00" (2438mm)	2.00" (48mm)	2.50" (64mm)



**CONTRACTOR SERIES LINEAR STRIP**

**PERFORMANCE DATA**

SYSTEM WATTS	SIZE	VOLTAGE	3500K		4000K		5000K	
			LUMEN	LPW	LUMEN	LPW	LUMEN	LPW
24W	4-Foot	120-277V	3120	130	3144	131	3120	130
32W	4-Foot	120-277V	4160	130	4192	131	4160	130
40W	4-Foot	120-277V	5200	130	5240	131	5200	130
65W	8-Foot	120-277V	8450	130	8515	131	8580	130
75W	8-Foot	120-277V	9750	130	9825	131	9900	130
90W	8-Foot	120-277V	11,700	130	11,790	131	11,880	130

**DLC CODE**

Part Number	DLC Product ID	DLC Class
CSL-4SMC-WHUD	S-VVJYS4	Standard
CSL-8SMC-WHUD	Linear: S-M9BM7Z / HighBay: S-7S7LBB	Standard

**CONTRACTOR SERIES LINEAR STRIP**

**SENSOR SPEC**

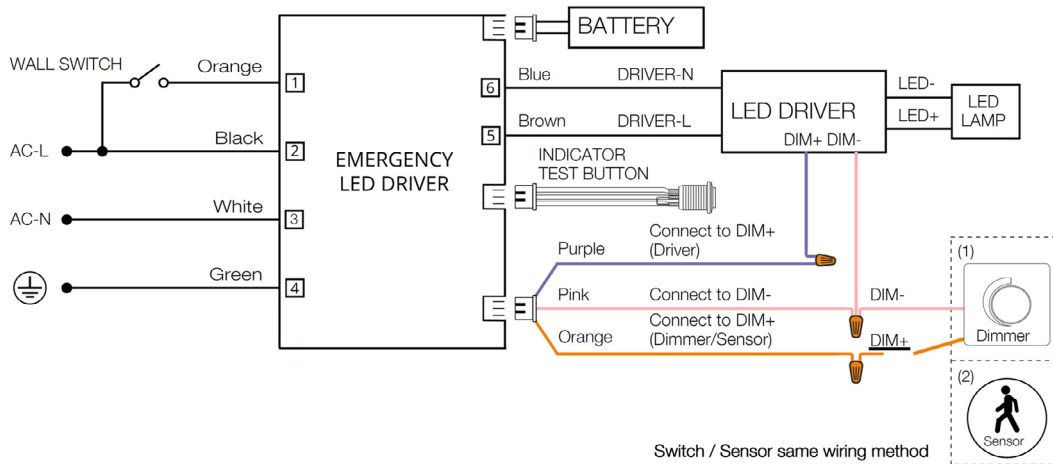
Model	Type	Mounting	Coverage	Input	Function	Programmable
SENSOR-819-O1	PIR	20FT	30FT radius	Universal	On/Off	-
SENSOR-819-D1	PIR	20FT	30FT radius	Universal	On/Off/Dimming	REMOTE-RC100
SENSOR-BLE-819 (see page 6 for detail)	PIR	L1 - 20FT	30FT radius	Universal	Bluetooth Mesh On/Off/Dimming Daylight Harvesting	ALS Control Bluetooth Mobile App



SENSOR-819-XX  
 SENSOR-BLE-819

**EMB SPEC**

Model	Battery Capacity	Input	Output	Output Power	Operating Temp	Installation
EMB-8W-B	90mins	100-347VAC	170VDC	8W	0°C ~ 50°C 32°F ~ 122°F	Factory or Field Install



**FEATURE**

- **Installation:** Factory or Field Install End Mount to Fixture
- **Commissioning:** Wirelessly through ALS Control Mobile App (iOS / Android)
- **Certification:** DLC 5.1 Networked Lighting Control System
- **Control:** Hold time, High-Low setting, continuous Bi-level dimming, Code-compliant manual-on or auto-off capability
- **Sensor:** Motion (Occupancy/Vacancy/Manual) and Daylight Harvesting
- **Room and Zone Control:** Zoning and Grouping control, Scheduling

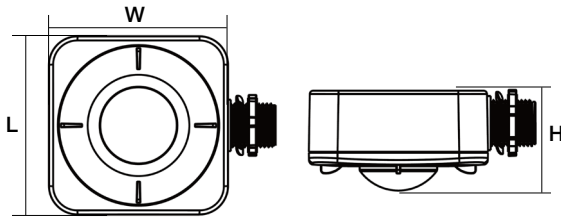


**SPECIFICATIONS**

**SENSOR TYPE:** Passive Infrared Sensor (PIR)  
**WIRELESS STANDARDS:** Bluetooth SIG Mesh  
**INPUT VOLTAGE:** 120/277VAC  
**CONTROL OUTPUT:** 0-10V  
**OPERATING TEMP:** -40°F ~ +167°F (-40°C ~ +75°C)

**COMMISSIONING RANGE:** 50FT  
**BLUETOOTH RANGE:** Intergral antenna up to 100FT  
**DETECTION ANGLE:** Vertical 90° x Horizontal 360°  
**MOUNTING HEIGHT:** 8 - 40FT  
**WARRANTY:** 5 years  
**IP RATING:** IP20 Damp

**DIMENSIONS**



L	W	H
3.19" (81mm)	4.02" (102mm)	1.70" (43.3mm)

**COVERAGE PATTERNS**

