



# TREA SERIES G2 SELECTABLE LED TROFFER

Client:  
Project:  
Type:  
Quantity:

## CONSTRUCTION

22-gauge metal frame, 95% reflective white polyester powder coat bonded to phosphate-free multi-stage pretreated metal. All parts painted after fabrication to facilitate installation, increase efficiency and inhibit corrosion. All corners are rounded for safe handling. Multiple wiring entrances on driver enclosure for easy access. Integral T-bar clips for installation into T-grid ceilings.

## OPTICS

Backlit design provides exceptional lighting distribution. Frosted polycarbonate lens offers edge to edge smooth illumination for maximum visual comfort.

## ELECTRICAL

Long-life LEDs, coupled with a high-efficiency driver, provide superior illumination for extended service life. Greater than 70% LED lumen maintenance at 60,000 hours (L70>60,000).

Selectable lumen and CCT technology allows easy field-adjustable capability, luminaire ships with maximum output and 4000K CCT setting.

All CCTs are within 3 MacAdam ellipses.

Driver operates at 120-277V input, 0-10V dimmable driver, down to 10%.

## SENSORS (OPTIONAL)

SENSOR-BLE-7 Integral Microwave Bluetooth Wireless Motion/on/off/dimming/photosensing.

SENSOR-ANT-7 Integral Microwave Motion/on/off/dimming/photosensing.

CONTROL-AVI-LVFA AVI-ON Bluetooth Mesh Controller.

## MOUNTING

Designed to accommodate lay-in ceilings, Slot T, and T-bar suspension system for 5/8" and 3/8" width.

Built-in earthquake clips come standard.

Surface/cable mount applications, use surface mount accessories.

Plaster or sheetrock installations, select flange kit.

## STANDARD FINISH

High Reflective White finish.

## CERTIFICATION

Damp location label standard.

Meets Buy America Act requirements.

Option for "BABAA" compliance upon request.

All luminaires are built to UL1598 standards and bear appropriate cULus labels.

For Emergency application, equipment with UL924 certified battery packs.

DLC® Premium (DesignLights Consortium Qualified)

## WARRANTY

5 year warranty, see Limited Warranty for additional information.



TREA-4 (Gen 2)

## SHIPPING DATA

Product	Measurement	Weight
TREA-G2-1 (2-pack)	48"L x 12"W x 3"H	16 lb
TREA-G2-2 (2-pack)	24"L x 24"W x 3"H	15 lb
TREA-G2-4 (2-pack)	48"L x 24"W x 3"H	24 lb



**TREA SERIES G2 SELECTABLE LED TROFFER**

**ORDER INFORMATION** **EXAMPLE: TREA G2 2**

Fixture	Series	Model	Finish	Input
	<b>TREA</b>		<b>blank</b>	<b>blank</b>

Mounting

Accessories  
Options

**A SERIES**

**TREA** Selectable Lumen and CCT LED Troffer

**B MODEL**

Code	Size	Power	CCT	Output
<b>1-G2</b>	1x4	20W / 25W / 30W	3000K / 3500K / 4000K / 5000K / 6500K	up to 3750lm
<b>2-G2</b>	2x2	25W / 30W / 35W	3000K / 3500K / 4000K / 5000K / 6500K	up to 4375lm
<b>4-G2</b>	2x4	34W / 42W / 50W	3000K / 3500K / 4000K / 5000K / 6500K	up to 6250lm

**C FINISH**

**blank** White

**D INPUT**

**blank** 120-277V, 0-10V Dimming w/12V AUX Output

**G MOUNTING**

<b>blank</b>	Standard lay-in
<b>MOUNT-LP-14-FGK</b>	1x4 Flange Kit (Plaster, Sheetrock or Drywall)
<b>MOUNT-LP-22-FGK</b>	2x2 Flange Kit (Plaster, Sheetrock or Drywall)
<b>MOUNT-LP-24-FGK</b>	2x4 Flange Kit (Plaster, Sheetrock or Drywall)
<b>MOUNT-LP-14-SMK</b>	2" Tall 1x4 Surface Mount Kit
<b>MOUNT-LP-22-SMK</b>	2" Tall 2x2 Surface Mount Kit
<b>MOUNT-LP-24-SMK</b>	2" Tall 2x4 Surface Mount Kit

**H ACCESSORIES/OPTIONS**

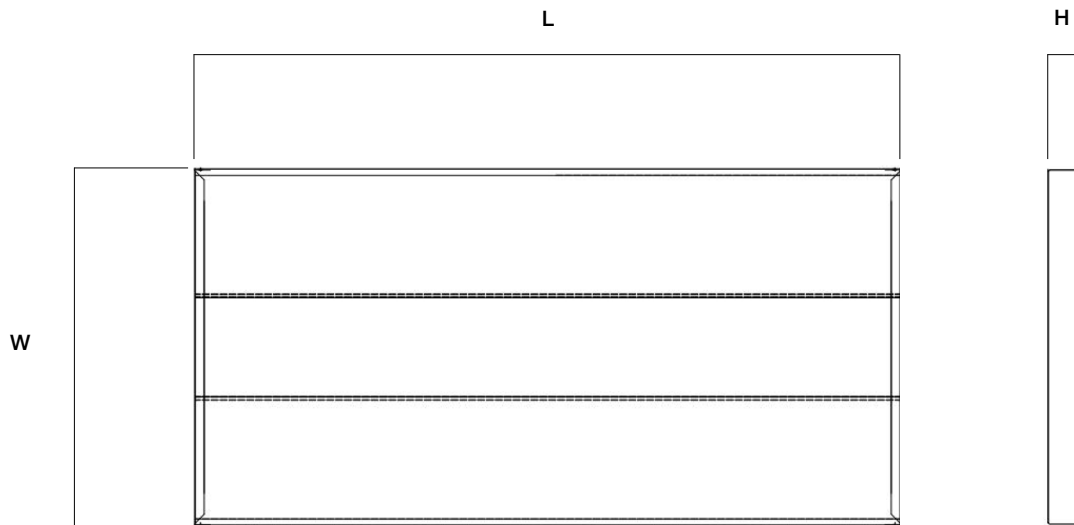
<b>AIA</b>	Assembled in America, compliant with BAA (COTS)
<b>BABAA</b>	Build America, Buy America Act (BABAA) Compliant
<b>SENSOR-BLE-7*</b>	Integral Microwave Bluetooth Wireless Bi-Level Motion Sensor (ALS Control Mobile App)
<b>SENSOR-ANT-7*</b>	Integral Microwave Bi-Level Motion Sensor
<b>CONTROL-AVI-LVFA*</b>	AVI-ON Bluetooth Mesh Control System
<b>REMOTE-RC100</b>	Handheld Remote Commissioning Tool for SENSOR-ANT (1 per job)
<b>EMB-H08170*</b>	External EMB 8W
<b>EMB-H18170*</b>	External EMB 18W
<b>EMB-H40170*</b>	External EMB 40W
<b>-C</b>	6-Foot Flex

\*see page 5 for sensor and emb spec

**TREA SERIES G2 SELECTABLE LED TROFFER**

**DIMENSIONS**

Model	W	L	H
TREA-G2-1	11.70" (298mm)	47.80" (1213mm)	2.0" (50mm)
TREA-G2-2	23.76" (603mm)	23.76" (603mm)	2.1" (54mm)
TREA-G2-4	23.76" (603mm)	47.80" (1213mm)	2.1" (54mm)



**TREA SERIES G2 SELECTABLE LED TROFFER**

**PERFORMANCE DATA**

SYSTEM WATTS	SIZE	VOLTAGE	LUMEN	LPW	QTY ON PALLET
20W	1x4	120-277V	2500	125	100
25W	1x4	120-277V	3125	125	100
30W	1x4	120-277V	3750	125	100
25W	2x2	120-277V	3125	125	120
30W	2x2	120-277V	3750	125	120
35W	2x2	120-277V	4375	125	120
34W	2x4	120-277V	4250	125	60
42W	2x4	120-277V	5250	125	60
50W	2x4	120-277V	6250	125	60

**DLC CODE**

Part Number	DLC Part Number	DLC Class
TREA-1-G2	Pending	Premium
TREA-2-G2	Pending	Premium
TREA-4-G2	Pending	Premium

**TREA SERIES G2 SELECTABLE LED TROFFER**

**SENSOR SPEC**

Model	Type	Mounting	Coverage	Input	Function	Programmable
SENSOR-BLE-7 (see page 7 for detail)	Microwave	up to 13FT	17FT radius	12V DC	Bluetooth Mesh On/Off/Dimming Motion Daylight Sensing	ALS Control Bluetooth Mobile App
SENSOR-ANT-7	Microwave	up to 12FT	17FT radius	10V DC	On/Off/Dimming Motion Daylight Sensing	REMOTE-RC100
CONTROL-AVI-LVFA (see page 6 for detail)	Fixture Controller	-	-	12V DC	Bluetooth Mesh On/Off/Dimming Scheduling	AVI-ON Bluetooth Mobile App



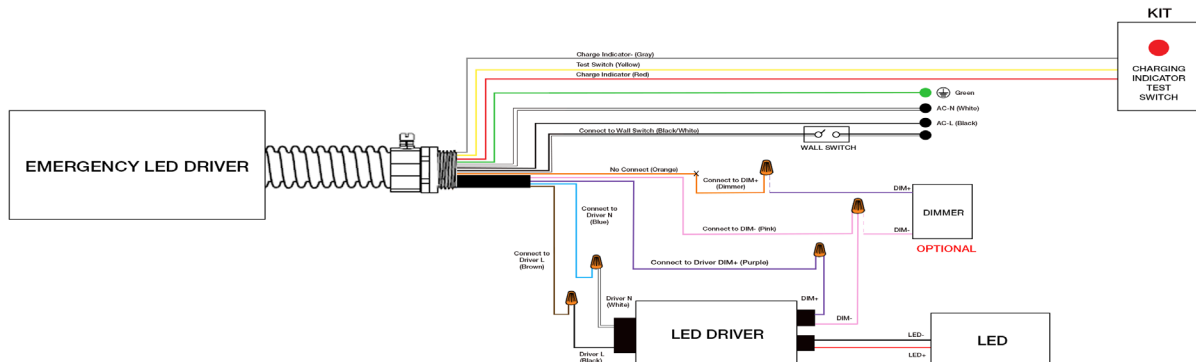
SENSOR-BLE-7  
 SENSOR-ANT-7



CONTROL-AVI-LVFA

**EMB SPEC**

Model	Battery Capacity	Input	Output	Output Power	Operating Temp	Installation
EMB-H08170	90mins	100-347VAC	170VDC	8W	0°C ~ 50°C 32°F ~ 122°F	Factory or Field Install
EMB-H18170	90mins	100-347VAC	170VDC	18W	0°C ~ 50°C 32°F ~ 122°F	Factory or Field Install
EMB-H40170	90mins	100-347VAC	170VDC	40W	0°C ~ 50°C 32°F ~ 122°F	Factory or Field Install



**TREA SERIES G2 SELECTABLE LED TROFFER**

**CONTROL-AVI-LVFA SPEC**

**Status LEDs & Config Button**

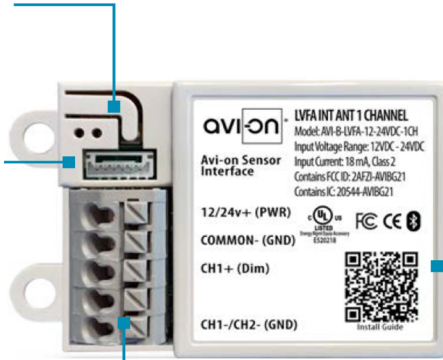
Quick and easy validation of wiring and network

**Direct Connect™ Sensor Port**

Simple and cost-effective addition to Avi-on sensors

**Terminal Blocks & Mounting Tabs**

Faster, easier and lower cost installation eliminating connectors



**Internal Antenna**

Improved performance and eliminates risk of accidentally cutting a hanging wire

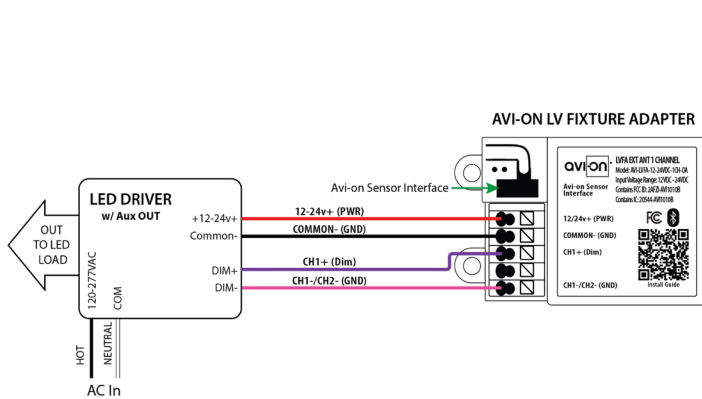
**SPECIFICATIONS**

**INPUT VOLTAGE:** 12-24VDC  
**CURRENT:** 15mA without a Sensor  
 19mA with a DC PIR Sensor  
 48mA with a DC Microwave Sensor  
**0-10V DIMMING:** 12-24VDC  
**SIZE:** 2.30in x 1.43in x 0.75in  
 (58.2mm x 36.4mm x 19mm)  
**MOUNTING:** Removable mounting tabs  
**WEIGHT:** 0.45 oz (16g)  
**OPERATING TEMP:** -22°F to +158°F (-30°C to + 70°C)

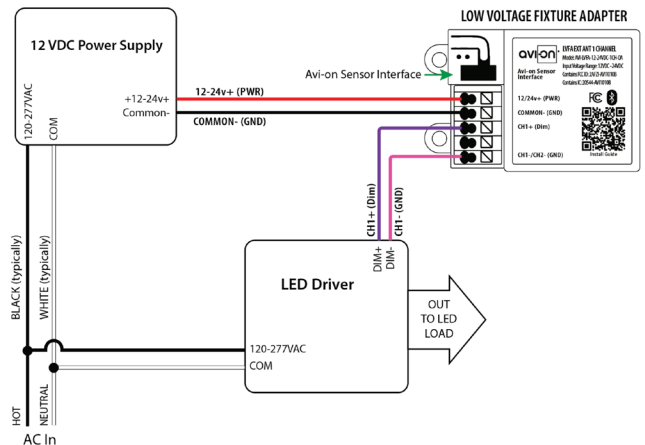
**RADIO FREQUENCY:** 2.4GHz  
**WIRELESS STANDARD:** BLE 4.2 with Mesh  
**POINT TO POINT RANGE\*:** 80ft with obstructions  
 350ft unobstructed  
**SECURITY:** AES 128-bit encryption for device to device communication  
 AES 256-bit encryption for device to cloud communication  
**WARRANTY:** 5 years; 10 years optional  
**REGULATORY:** FCC: 2AFZI-AVI1010 B  
 IC: 20544-AVI1010 B  
 BQB: D031801, DID: 86303  
 UL 916, 2043 (Plenum Rated)

\*When communicating through the mesh, range is essentially unlimited (5000ft+)

**WIRING DIAGRAM**



Fixture adapter powered by LED driver auxiliary output



Fixture adapter connected to LED driver and using power supply

**FEATURE**

- **Installation:** Factory Install - Integral to Fixture
- **Commissioning:** Wirelessly through ALS Control Mobile App (iOS / Android)
- **Certification:** DLC 5.1 Networked Lighting Control System
- **Control:** Hold time, High-Low setting, continuous Bi-level dimming, Code-compliant manual-on or auto-off capability
- **Sensor:** Motion (Occupancy/Vacancy/Manual)
- **Room and Zone Control:** Zoning and Grouping control, Scheduling

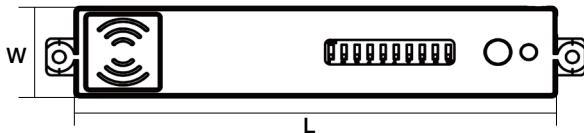


**SPECIFICATIONS**

**SENSOR TYPE:** Microwave  
**WIRELESS STANDARDS:** Bluetooth SIG Mesh  
**INPUT VOLTAGE:** 10-14VDC, >50mA  
**CONTROL OUTPUT:** 0-10V  
**OPERATING TEMP:** -40°F ~ +158°F (-40°C ~ +70°C)

**COMMISSIONING RANGE:** 50FT  
**BLUETOOTH RANGE:** Integral antenna up to 164FT  
**DETECTION ANGLE:** 360°  
**MOUNTING HEIGHT:** Up to 13FT  
**WARRANTY:** 5 years  
**IP RATING:** IP20

**DIMENSIONS**



L	W
3.70" (94mm)	0.73" (18.5mm)

**COVERAGE PATTERNS**

