



GB SERIES GOOSENECK BARN LIGHT

Client:
Project:
Type:
Quantity:

CONSTRUCTION

Low copper aluminum alloy die-cast body. Architectural appearance, low EPA wind load design. Integrated shell design for wet location environment.

OPTICS

General distribution. Advanced refraction and reflection optical design provides an optimal combination of vertical and horizontal illumination.

Standard model - Light engines available between 3000K, 4000K, 5000K (80+ CRI)

SC model - Light engines are selectable between 2700K, 3000K, 4000K, 5000K, and 6500K (80+ CRI) configurations.

ELECTRICAL

80+ CRI LED.

-40°C up to 40°C* (-40°F up to 140°F) maximum operating temperature.

>50,000 hr LED at L70

Driver operates at 120-277V input, 50/60Hz, <20% THD, 0.9 power factor.

Built-in photocell.

MOUNTING

Wall mount over electrical box.

STANDARD FINISH

Corrosion resistant Dark Bronze powder coating finish.

CERTIFICATION

Wet location listed.

Meets Buy America Act requirements.

All luminaires are built to UL1598 standards and bear appropriate cULus labels.

WARRANTY

5 year warranty, see Limited Warranty for additional information.



GB SERIES GOOSENECK BARN LIGHT

ORDER INFORMATION **EXAMPLE: GB 28 SC DB UD-P**

Fixture	Series	Power & LM	CCT	Finish	Input
	GB				UD-P

A SERIES

GB Gooseneck Barn Light

B POWER & LM **B POWER & LM (NON-DIMMABLE)**

Code Power
28 **28W**

Code Power
12 **12W**

C CCT **C CCT (NON-DIMMABLE)**

SC Field Selectable CCT 2700K ~ 6500K

30 3000K
40 4000K
50 5000K

D FINISH

Standard
DB Dark Bronze

E INPUT **E INPUT (NON-DIMMABLE)**

UD-P 120-277V, 0-10 Dimming with Built-in Photocell
*see page 4 for spec

S-P 120V, Non-Dimming with Built-in Photocell

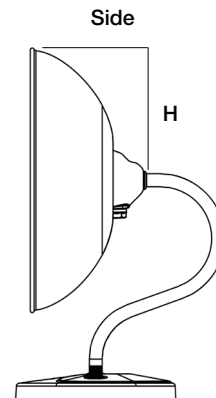
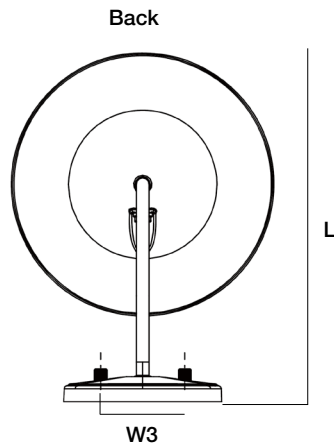
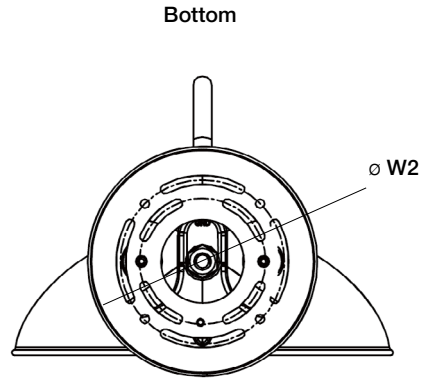
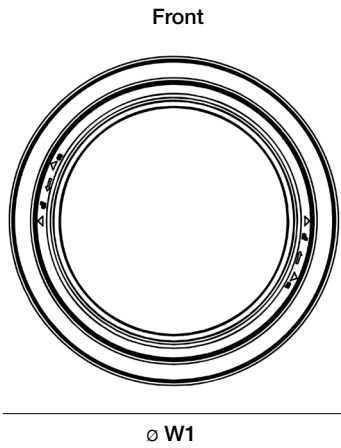
F ACCESSORIES/OPTIONS

AIA Assembled in America, compliant with BAA (COTS)

GB SERIES GOOSENECK BARN LIGHT

DIMENSIONS

Model	L	W1	W2	W3	H
GB-12	10.7" (273mm)	ø 6.8" (172mm)	ø 4.9" (124mm)	2.6" (66mm)	3.5" (88mm)
GB-28	10.7" (273mm)	ø 6.8" (172mm)	ø 4.9" (124mm)	2.6" (66mm)	3.5" (88mm)



GB SERIES GOOSENECK BARN LIGHT

PERFORMANCE DATA

SYSTEM WATTS	VOLTAGE	2700K		3000K		4000K		5000K		6500K	
		LUMEN	LPW	LUMEN	LPW	LUMEN	LPW	LUMEN	LPW	LUMEN	LPW
GB-28SC	120-277V	3,000	107	3,000	107	3,000	107	3,000	107	3,000	107
GB-12	120V	-	-	1,000	83	1,000	83	1,000	83	-	-

SENSOR SPEC

Model	Type	Mounting	Coverage	Input	Function	Programmable
SENSOR-PH-PB-U	-	Integral to Fixture	-	Universal	Dusk-to-Dawn Control	-



SENSOR-PH-PB-U