

PT2A SERIES POST TOP

CONSTRUCTION

Low copper aluminum alloy die-cast body. Architectural appearance, low EPA wind load design. IK09 rated enclosure protects electrical equipment against external mechanical impacts. All external fasteners are stainless steel.
 EPA: 0.970

OPTICS

Molded silicone gasket throughout insures the sealing between the two compartments and provides ingress protection.
 PMMA acrylic lens offers exceptional light distribution and durability without yellowing over time.
 Light engines are available in 3000K ~ 5000K (80 CRI) selectable.
 The optics can conform to dark sky requirements.

ELECTRICAL

80+ CRI LED.
 Dual Selectable model - reference Ordering Information.
 -40°C up to 45°C* (-40°F up to 113°F) maximum operating temperature.
 L70 @ 105C > 60,000hrs | L70 @ 40C >200,000hrs.
 50/60Hz, <20% THD, 0.9 power factor.
 Driver operates at 120-277V input, 1-10V dimmable driver, down to 10%.
 Optional 347/480V input.

SENSORS (OPTIONAL)

SENSOR-BLE-619 Integral PIR ALS Control bluetooth/on/off/dimming/photosensing.
 SENSOR-823 Integral PIR on/off/dimming/photosensing.
 SENSOR-PH-PB-U Integral button style photocell.
 CONTROL-LVFA AVI-ON Bluetooth Mesh Controller.

MOUNTING

Suitable for 3" tenon, 2-3/8" tenon adapter included.
 Optional for 4" and 5" tenon adapter

STANDARD FINISH

Corrosion resistant Dark Bronze powder coating finish.

CUSTOM FINISH

Corrosion resistant Black, Graphite Metallic, Gray, Silver, White, Custom RAL#.

CERTIFICATION

IP66 Wet location label standard.
 Meets Buy America Act requirements.
 IDA compliant: with 3000K color temperature selection.
 All luminaires are built to UL1598 standards and bear appropriate cULus labels.
 For Emergency application, equipment with UL924 certified battery packs.
 DLC® Premium (DesignLights Consortium Qualified).

WARRANTY

5 year warranty, see Limited Warranty for additional information.

Client:
 Project:
 Type:
 Quantity:



SHIPPING DATA

Product	Measurement	Weight
PT2A-130SC	29"L x 28"W x 11"H	34 lb



PT2A SERIES POST TOP

ORDER INFORMATION **EXAMPLE: PT2A 130 SC 5M SF3 DB UD**

Fixture	Series	Power & LM	CCT	Distribution	Mounting	Finish	Input
	PT2A			5M	SF3		UD

A SERIES

PT2A Post Top Area Light Dual Selectable

B POWER & LM

Code	Power	LM
130	Selectable 45/70/90/130W	Selectable 5400 ~ 15,600

C CCT

SC Selectable
3000K ~ 5000K

D DISTRIBUTION

5M Type V Medium

E MOUNTING

SF3 3" Tenon Adapter - Standard (2-3/8" tenon fitting included)

F FINISH

Standard	
DB	Dark Bronze
Custom Color	
CC	BK Black GM Graphite Metallic GR Gray
	SV Silver WH White RAL#

G INPUT

UD 120-277V, 1-10V Dimmable

PT2A SERIES POST TOP

ORDER INFORMATION (CONTINUED)

Accessories
Options

H ACCESSORIES/OPTIONS

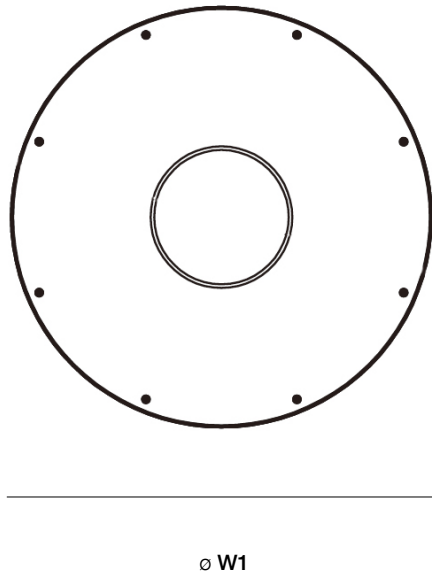
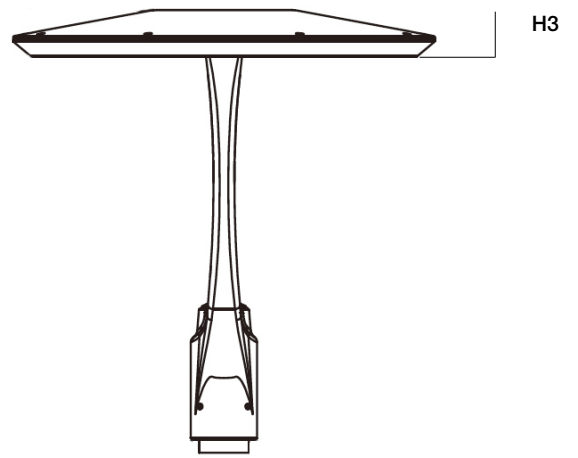
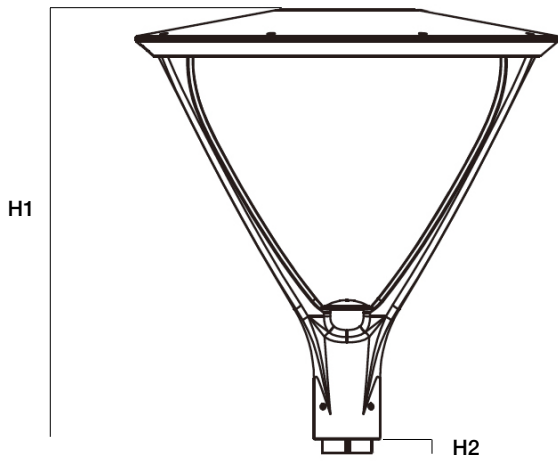
AIA	Assembled in America, compliant with BAA (COTS)
REMOTE-RC100	Handheld Remote Commissioning Tool for SENSOR-823
SENSOR-PH-PB-U*	Button Style Photocell
SENSOR-BLE-619-L3*	Integral PIR Bluetooth Daylight Sensor (ALS Control Mobile App) / L3: up to 40FT
SENSOR-823-L3 / L4*	Integral PIR on/off/dimming/photosensing / L3: up to 40ft, L4: up to 8ft
CONTROL-LVFA*	AVI-ON Bluetooth Mesh Control System
MOUNT-4SQR-SP-D	4" Tenon Adapter for Round Pole
MOUNT-5SQR-SP-D	5" Tenon Adapter for Round Pole
MOUNT-4SQ-SP-D	4" Tenon Adapter for Square Pole
MOUNT-5SQ-SP-D	5" Tenon Adapter for Square Pole
SURGE-LSP4-U	10kV inline Surge Protection for Universal input / U: 120-277V

*see page 5 for sensor spec

PT2A SERIES POST TOP

DIMENSIONS

Model	H1	H2	H3	W1	EPA
PT2A-130SC	24.30" (616mm)	0.8" (20mm)	2.8" (70mm)	ø 25.2" (640mm)	0.783 ft ²



PT2A SERIES POST TOP

PERFORMANCE DATA

SYSTEM WATTS	DIST. TYPE	3000K			4000K			5000K		
		LUMENS	LPW	BUG RATING	LUMENS	LPW	BUG RATING	LUMENS	LPW	BUG RATING
45W	V	6537	143	B2-U0-G2	6782	154	B2-U0-G2	6617	144	B2-U0-G2
70W	V	9756	137	B3-U0-G2	10272	147	B3-U0-G2	9917	138	B3-U0-G2
90W	V	11660	132	B3-U0-G2	12215	141	B3-U0-G2	11814	134	B3-U0-G2
130W	V	16091	121	B3-U0-G3	17254	132	B3-U0-G3	16320	123	B3-U0-G3

DLC CODE

Part Number	DLC Part Number	DLC Class
PT2A - 130 SC 5M -SF3 - XX UD 45W 3000K Selection	OEM Part# MPL0145W27V30K[D,B,W][Blank,P0][Blank,M]D[Blank,0-9,A-Z,a-z] Product ID: P7KLLMVU	Premium
PT2A - 130 SC 5M -SF3 - XX UD 45W 4000K Selection	OEM Part# MPL0145W27V40K[D,B,W][Blank,P0][Blank,M]D[Blank,0-9,A-Z,a-z] Product ID: PD6JFK6S	Premium
PT2A - 130 SC 5M -SF3 - XX UD 45W 5000K Selection	OEM Part# MPL0145W27V50K[D,B,W][Blank,P0][Blank,M]D[Blank,0-9,A-Z,a-z] Product ID: PC6WBYYZ	Premium
PT2A - 130 SC 5M -SF3 - XX UD 70W 3000K Selection	OEM Part# MPL0170W27V30K[D,B,W][Blank,P0][Blank,M]D[Blank,0-9,A-Z,a-z] Product ID: PP9HCO7H	Premium
PT2A - 130 SC 5M -SF3 - XX UD 70W 4000K Selection	OEM Part# MPL0170W27V40K[D,B,W][Blank,P0][Blank,M]D[Blank,0-9,A-Z,a-z] Product ID: PUWXFMRP	Premium
PT2A - 130 SC 5M -SF3 - XX UD 70W 5000K Selection	OEM Part# MPL0170W27V50K[D,B,W][Blank,P0][Blank,M]D[Blank,0-9,A-Z,a-z] Product ID: PGWYY8SC	Premium
PT2A - 130 SC 5M -SF3 - XX UD 90W 3000K Selection	OEM Part# MPL0187W27V30K[D,B,W][Blank,P0][Blank,M]D[Blank,0-9,A-Z,a-z] Product ID: P4E9B478	Premium
PT2A - 130 SC 5M -SF3 - XX UD 90W 4000K Selection	OEM Part# MPL0187W27V40K[D,B,W][Blank,P0][Blank,M]D[Blank,0-9,A-Z,a-z] Product ID: PSKB1S5B	Premium
PT2A - 130 SC 5M -SF3 - XX UD 90W 5000K Selection	OEM Part# MPL0187W27V50K[D,B,W][Blank,P0][Blank,M]D[Blank,0-9,A-Z,a-z] Product ID: PPV2PRX9	Premium
PT2A - 130 SC 5M -SF3 - XX UD 130W 3000K Selection	OEM Part# MPL01130W27V30K[D,B,W][Blank,P0][Blank,M]D[Blank,0-9,A-Z,a-z] Product ID: P6FS4VWN	Premium
PT2A - 130 SC 5M -SF3 - XX UD 130W 4000K Selection	OEM Part# MPL01130W27V40K[D,B,W][Blank,P0][Blank,M]D[Blank,0-9,A-Z,a-z] Product ID: PA9C0CP8	Premium
PT2A - 130 SC 5M -SF3 - XX UD 130W 5000K Selection	OEM Part# MPL01130W27V50K[D,B,W][Blank,P0][Blank,M]D[Blank,0-9,A-Z,a-z] Product ID: P23ZYJ70	Premium

PT2A SERIES POST TOP

SENSOR SPEC

Model	Type	Mounting	Coverage	Input	Function	Programmable
SENSOR-823	PIR	L3 - 40FT L4 - 8FT	30FT radius 24FT radius	Universal	On/Off/Dimming	REMOTE-RC100
SENSOR-PH-PB-U	-	-	-	Universal	Dusk-to-Dawn Control	-
CONTROL-LVFA (see page 7 for detail)	Fixture Controller	-	-	12V DC	Bluetooth Mesh On/Off/Dimming Scheduling	AVI-ON Bluetooth Mobile App
SENSOR-BLE-619 (see page 9 for detail)	PIR	L3 - 40FT	30FT radius	12V DC	Bluetooth Mesh On/Off Daylight	ALS Control Bluetooth Mobile App



SENSOR-823



SENSOR-PH-PB-U



CONTROL-AVI-LVFA



SENSOR-BLE-619

PT2A SERIES POST TOP

CONTROL-LVFA SPEC

Status LEDs & Config Button

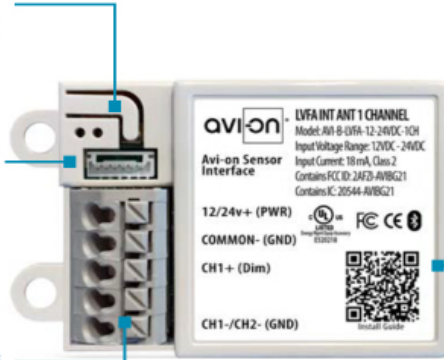
Quick and easy validation of wiring and network

Direct Connect™ Sensor Port

Simple and cost-effective addition to Avi-on sensors

Terminal Blocks & Mounting Tabs

Faster, easier and lower cost installation eliminating connectors



Internal Antenna

Improved performance and eliminates risk of accidentally cutting a hanging wire

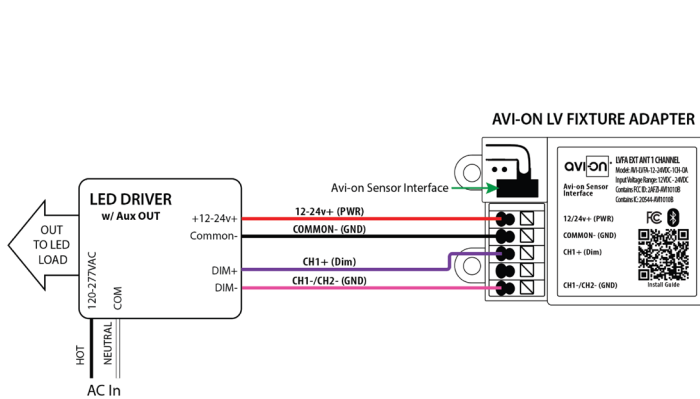
SPECIFICATIONS

INPUT VOLTAGE: 12-24VDC
CURRENT: 15mA without a Sensor
 19mA with a DC PIR Sensor
 48mA with a DC Microwave Sensor
0-10V DIMMING: 12-24VDC
SIZE: 2.30in x 1.43in x 0.75in
 (58.2mm x 36.4mm x 19mm)
MOUNTING: Removable mounting tabs
WEIGHT: 0.45 oz (16g)
OPERATING TEMP: -22°F to +158°F (-30°C to + 70°C)

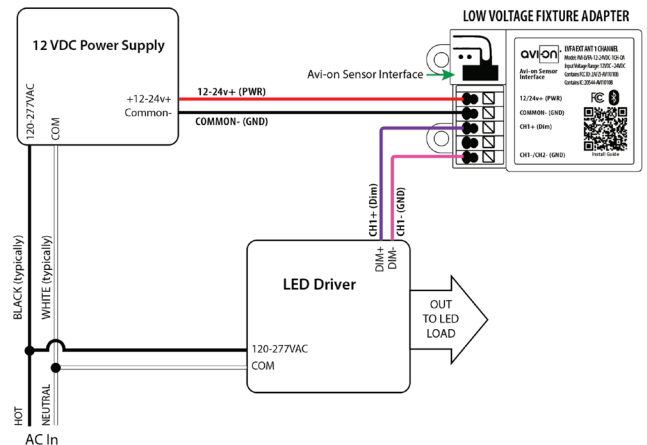
RADIO FREQUENCY: 2.4GHz
WIRELESS STANDARD: BLE 4.2 with Mesh
POINT TO POINT RANGE*: 80ft with obstructions
 350ft unobstructed
SECURITY: AES 128-bit encryption for device to device communication
 AES 256-bit encryption for device to cloud communication
 5 years; 10 years optional
WARRANTY: FCC: 2AFZI-AVI1010 B
 IC: 20544-AVI1010 B
 BQB: D031801, DID: 86303
 UL 916, 2043 (Plenum Rated)

*When communicating through the mesh, range is essentially unlimited (5000ft+)

WIRING DIAGRAM



Fixture adapter powered by LED driver auxiliary output



Fixture adapter connected to LED driver and using power supply

FEATURE

- **Installation:** Factory Install - Sensor integral to fixture, lens external
- **Commissioning:** Wirelessly through ALS Control Mobile App (iOS / Android)
- **Certification:** DLC 5.1 Networked Lighting Control System
- **Control:** Hold time, High-Low setting, continuous Bi-level dimming, manual/auto - on/off
- **Sensor:** Motion (Occupancy/Vacancy/Manual) and Daylight
- **Zone Control:** Zoning and Grouping control, Scheduling

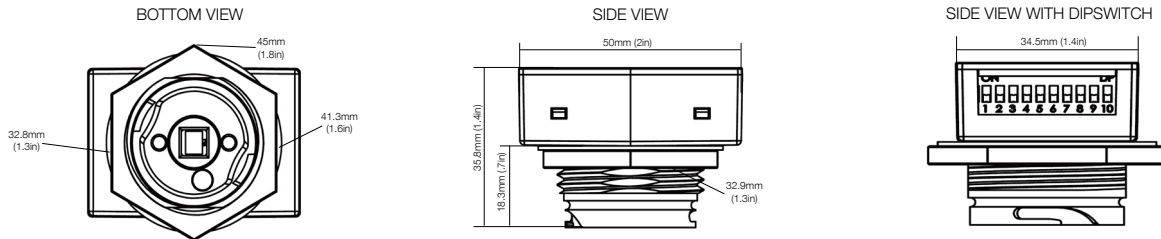


SPECIFICATIONS

SENSOR TYPE: Passive Infrared Sensor (PIR)
WIRELESS STANDARDS: Bluetooth SIG Mesh
INPUT VOLTAGE: 12-24VDC, >50mA
CONTROL OUTPUT: 0-10V
OPERATING TEMP: -40°F ~ +158°F (-40°C ~ +70°C)

COMMISSIONING RANGE: 50FT
BLUETOOTH RANGE: Integral antenna up to 100FT
DETECTION ANGLE: Vertical 90° x Horizontal 360°
MOUNTING HEIGHT: 8 - 40FT
WARRANTY: 5 years
IP RATING: IP65

DIMENSIONS



COVERAGE PATTERNS

