



# LHBA SERIES SELECTABLE LINEAR BAY LIGHT

Client:  
Project:  
Type:  
Quantity:

### CONSTRUCTION

Full body steel housing constructed for shipment and job site durability.  
Channel includes top and side knockouts for simple and accessible wiring.

### OPTICS

>95% efficiency optical grade polycarbonate diffused lens for wide distribution.

### ELECTRICAL

80+ CRI LED.  
-40°C up to 55°C (-40°F up to 131°F) maximum operating temperature.  
60,000 hr LEDs at L70 @ 40°C.  
50/60Hz, <20% THD, >.9 Power Factor. 50,000 hr rated electronic driver.  
Driver operates at 120-277V input, 0-10V dimmable driver, down to 10%.  
Lumen Output / CCT Selectable on unit. Optional 347/480V input.  
Optional dimming sensor for occupancy and ambient light level detection.

### SENSORS (OPTIONAL)

SENSOR-819-O1 End mount on/off motion sensor lowbay lens.  
SENSOR-819-O2 End mount on/off motion sensor highbay lens.  
SENSOR-819-D1 End mount programmable motion and photocell sensor lowbay lens.  
SENSOR-819-D2 End mount programmable motion and photocell sensor highbay lens.  
SENSOR-BLE-819 End mount ALS CONTROL bluetooth on/off motion sensor lowbay lens.  
SENSOR-BLE-6-4T Integral PIR ALS Control bluetooth/on/off/dimming/photosensing.  
SENSOR-ANT-6-4T Plug-N-Play PIR on/off/dimming/photosensing.  
CONTROL-AVI-LVFA AVI-ON Bluetooth Mesh Controller.

### MOUNTING

Adjustable aircraft cable hanger as standard mounting.

### STANDARD FINISH

All metal parts are post painted after fabrication with polyester powder coat paint with 90% reflectance.

### CERTIFICATION

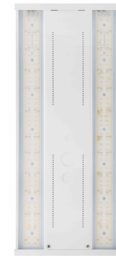
Meets Buy America Act requirements.  
All luminaires are built to UL1598 standards for damp location and bear appropriate cULus labels.  
For Emergency application, equipment with UL924 certified battery packs.  
DLC® Premium (DesignLights Consortium Qualified).

### WARRANTY

5 year warranty, see Limited Warranty for additional information.



LHBA-210SC



LHBA-210SC

### SHIPPING DATA

Product	Measurement	Weight
LHBA-210SC	24"L x 10"W x 2"H	7 lb



**LHBA SERIES SELECTABLE LINEAR BAY LIGHT**

**ORDER INFORMATION** **EXAMPLE: LHBA 210 SC FL WH UD**

Fixture	Series	Power & LM	CCT	Distribution	Finish	Input
	<b>LHBA</b>	<b>210</b>	<b>SC</b>	<b>FL</b>	<b>WH</b>	

**A SERIES**

**LHBA** Linear Bay Light Selectable

**B POWER & LM**

Code	Power	LM	LPW
<b>210</b>	90 / 130 / 180 / 210W Field Selectable	12,700 ~ 30,600 lm	158 ~ 142

**C CCT**

**SC** 4000K / 5000K Field Selectable

**D DISTRIBUTION**

**FL** Diffused Lens

**E FINISH**

**WH** White

**F INPUT**

<b>UD</b>	120-277V, 0-10V Dimmable with 12V ANT Sensor Receptacle
<b>HD</b>	347, 480V, 0-10V Dimmable with 12V ANT Sensor Receptacle

**LHBA SERIES SELECTABLE LINEAR BAY LIGHT**

**ORDER INFORMATION (CONTINUED)**

Accessories  
 Options

**G ACCESSORIES/OPTIONS**

<b>AIA</b>	Assembled in America, compliant with BAA (COTS)
<b>WIREGUARD-LHB</b>	Wireguard
<b>EMB-H15260**</b>	External emergency battery 15W
<b>EMB-H40170**</b>	External emergency battery 40W
<b>EMB-H40500**</b>	External emergency battery 40W
<b>SENSOR-ANT-6-4T*</b>	Integral PIR on/off/dimming/photo sensing
<b>SENSOR-BLE-6-4T*</b>	"Plug-N-Play" Integral Bluetooth Daylight Harvesting Sensor (ALS Control Mobile App)
<b>SENSOR-819-O1*</b>	End mount on/off motion sensor lowbay lens
<b>SENSOR-819-O2*</b>	End mount on/off motion sensor highbay lens
<b>SENSOR-819-D1*</b>	End mount on/off/dimming and photocell sensor lowbay lens
<b>SENSOR-819-D2*</b>	End mount on/off/dimming and photocell sensor highbay lens
<b>SENSOR-BLE-819-L1 / L2*</b>	End Mount PIR Bluetooth Daylight Harvesting Sensor (ALS Control Mobile App) / <b>L1:</b> up to 20FT
<b>CONTROL-AVI-LVFA*</b>	AVI-ON Bluetooth Mesh Control System
<b>REMOTE-RC100</b>	Handheld Remote Commissioning Tool for SENSOR-ANT, 819 Series
<b>-CORD</b>	18-3 300V cord (Specify length)
<b>-PLUG</b>	18-3 300V 6 Foot Cord and 3 Prong Plug
<b>TWIST-LOCK</b>	Specify Plug Type: <b>L515P / L715P / HBL5929 / L8-20P</b>

\*see page 6 for sensor spec

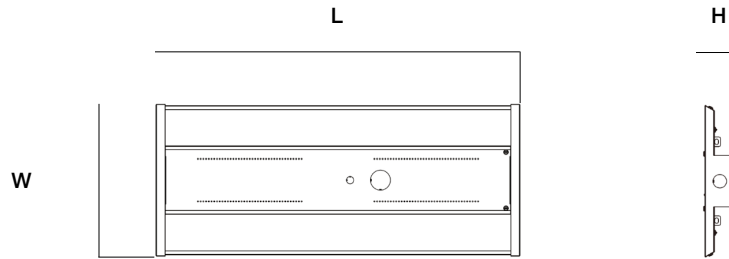
\*\*see page 7 for emb spec

**LHBA SERIES SELECTABLE LINEAR BAY LIGHT**

**DIMENSIONS**

Model	L	W	H
LHBA-210SC	23.62" (600mm)	9.84" (250mm)	1.75" (44mm)

LHBA-210SC





## LHBA SERIES SELECTABLE LINEAR BAY LIGHT

### PERFORMANCE DATA

SYSTEM WATTS	VOLTAGE	4000K / 5000K		QTY ON PALLET
		LUMENS	LPW	
90W	120-277V	14220	158	200
130W	120-277V	20150	155	200
180W	120-277V	25380	141	200
210W	120-277V	29820	142	200

### DLC CODE

Part Number	DLC Part Nnumber	DLC Class
LHBA - 210 SC FL WH UD / HD	S-T6MHQY	Standard

**LHBA SERIES SELECTABLE LINEAR BAY LIGHT**

**SENSOR SPEC**

Model	Type	Mounting	Coverage	Input	Function	Programmable
SENSOR-ANT-6-4T	PIR	up to 40FT	30FT radius	12V DC	On/Off/Dimming	REMOTE-RC100
SENSOR-BLE-6-4T (see page 9 for detail)	PIR	up to 40FT	30FT radius	12V DC	Bluetooth Mesh On/Off/Dimming Daylight Harvesting	ALS Control Bluetooth Mobile App
SENSOR-819-O1 SENSOR-819-O2	PIR	20FT 40FT	30FT radius 30FT radius	Universal	On/Off	REMOTE-RC100
SENSOR-819-D1 SENSOR-819-D2	PIR	20FT 40FT	30FT radius 30FT radius	Universal	On/Off/Dimming	REMOTE-RC100
SENSOR-BLE-819 (see page 10 for detail)	PIR	L1 - 20FT L2 - 40FT	30FT radius 30FT radius	Universal	Bluetooth Mesh On/Off/Dimming Daylight Harvesting	ALS Control Bluetooth Mobile App
CONTROL-AVI-LVFA (see page 8 for detail)	Fixture Controller	-	-	12V DC	Bluetooth Mesh On/Off/Dimming Scheduling	AVI-ON Bluetooth Mobile App



SENSOR-ANT-6-4T  
 SENSOR-BLE-6-4T



SENSOR-819-XX  
 SENSOR-BLE-819

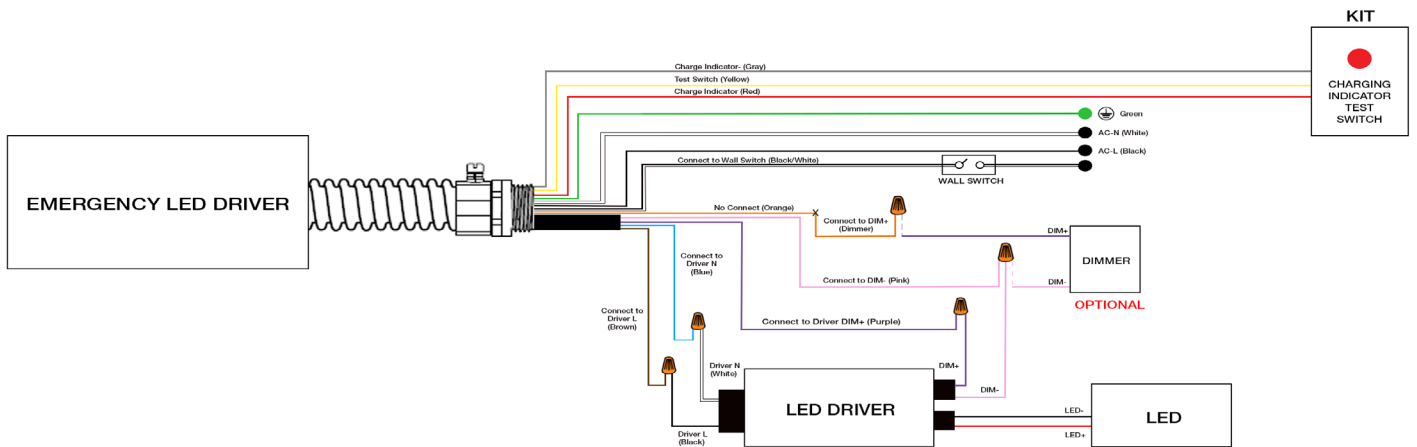


CONTROL-AVI-LVFA

**LHBA SERIES SELECTABLE LINEAR BAY LIGHT**

**EMB SPEC**

Model	Battery Capacity	Input	Output	Output Power	Operating Temp	Installation
EMB-H15260	90mins	100-277VAC	90-260VDC	15W	0°C ~ 50°C 32°F ~ 122°F	Factory or Field Install
EMB-H40170	90mins	100-347VAC	170VDC	40W	0°C ~ 50°C 32°F ~ 122°F	Factory or Field Install
EMB-H40500	90mins	347-480VAC	310~500VDC	40W	0°C ~ 50°C 32°F ~ 122°F	Factory or Field Install



**LHBA SERIES SELECTABLE LINEAR BAY LIGHT**

**CONTROL-AVI-LVFA SPEC**

**Status LEDs & Config Button**

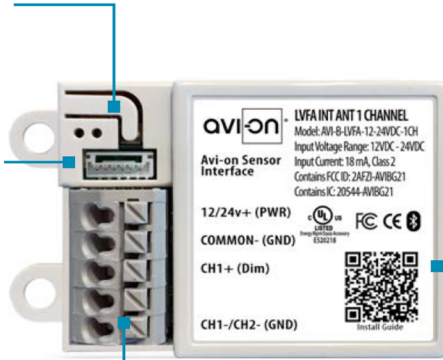
Quick and easy validation of wiring and network

**Direct Connect™ Sensor Port**

Simple and cost-effective addition to Avi-on sensors

**Terminal Blocks & Mounting Tabs**

Faster, easier and lower cost installation eliminating connectors



**Internal Antenna**

Improved performance and eliminates risk of accidentally cutting a hanging wire

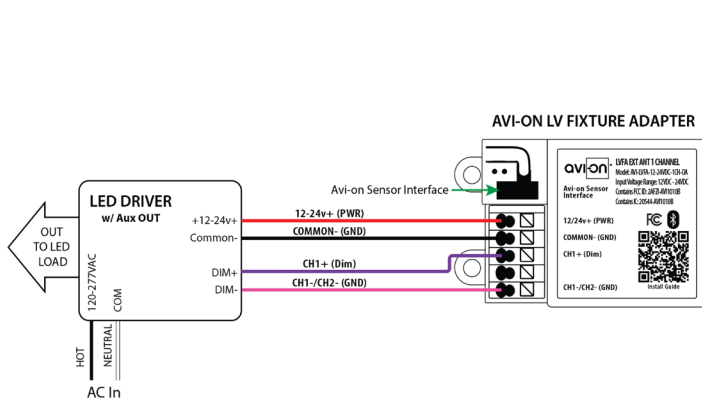
**SPECIFICATIONS**

**INPUT VOLTAGE:** 12-24VDC  
**CURRENT:** 15mA without a Sensor  
 19mA with a DC PIR Sensor  
 48mA with a DC Microwave Sensor  
**0-10V DIMMING:** 12-24VDC  
**SIZE:** 2.30in x 1.43in x 0.75in  
 (58.2mm x 36.4mm x 19mm)  
**MOUNTING:** Removable mounting tabs  
**WEIGHT:** 0.45 oz (16g)  
**OPERATING TEMP:** -22°F to +158°F (-30°C to + 70°C)

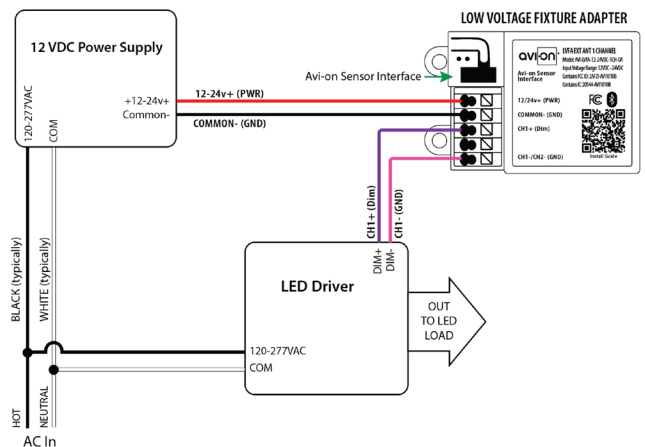
**RADIO FREQUENCY:** 2.4GHz  
**WIRELESS STANDARD:** BLE 4.2 with Mesh  
**POINT TO POINT RANGE\*:** 80ft with obstructions  
 350ft unobstructed  
**SECURITY:** AES 128-bit encryption for device to device communication  
 AES 256-bit encryption for device to cloud communication  
**WARRANTY:** 5 years; 10 years optional  
**REGULATORY:** FCC: 2AFZI-AVI1010 B  
 IC: 20544-AVI1010 B  
 BQB: D031801, DID: 86303  
 UL 916, 2043 (Plenum Rated)

\*When communicating through the mesh, range is essentially unlimited (5000ft+)

**WIRING DIAGRAM**



Fixture adapter powered by LED driver auxiliary output



Fixture adapter connected to LED driver and using power supply



**FEATURE**

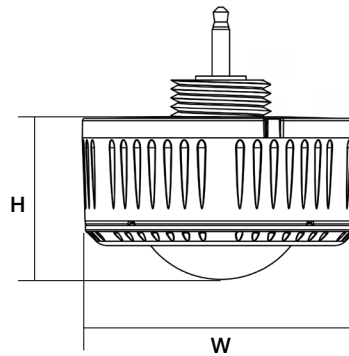
- **Installation:** Plug-N-Play via AUX socket on attached fixture
- **Commissioning:** Wirelessly through ALS Control Mobile App (iOS / Android)
- **Certification:** DLC 5.1 Networked Lighting Control System
- **Control:** Hold time, High-Low setting, continuous Bi-level dimming, Code-compliant manual-on or auto-off capability
- **Sensor:** Motion (Occupancy/Vacancy/Manual) and Daylight Harvesting
- **Room and Zone Control:** Zoning and Grouping control, Scheduling



**SPECIFICATIONS**

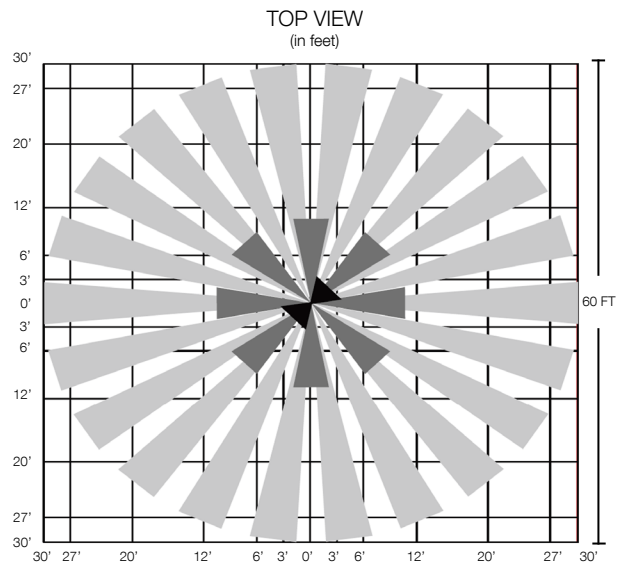
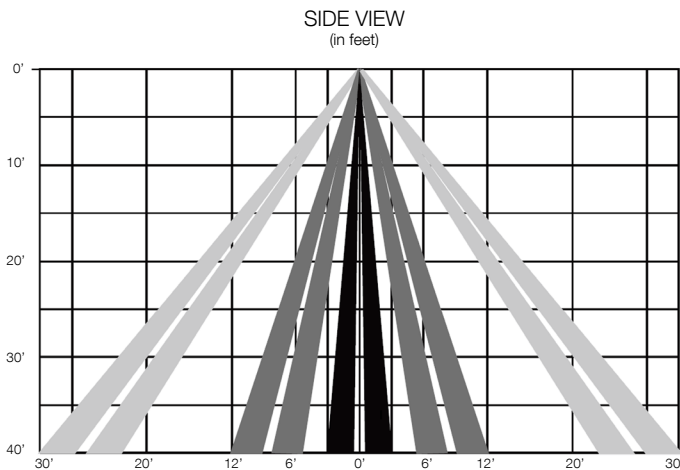
<b>SENSOR TYPE:</b>	Passive Infrared Sensor (PIR)
<b>WIRELESS STANDARDS:</b>	5.0 Bluetooth Mesh
<b>INPUT VOLTAGE:</b>	12-24VDC, >50mA
<b>CONTROL OUTPUT:</b>	0-10V
<b>OPERATING TEMP:</b>	-4°F ~ +140°F (-20°C ~ +60°C)
<b>COMMISSIONING RANGE:</b>	50FT
<b>BLUETOOTH RANGE:</b>	164FT
<b>DETECTION ANGLE:</b>	360°
<b>MOUNTING HEIGHT:</b>	Up to 40FT
<b>WARRANTY:</b>	5 years
<b>IP RATING:</b>	IP65

**DIMENSIONS**



H	W
1.03" (26.2mm)	2.17" (55mm)

**COVERAGE PATTERNS**



**FEATURE**

- **Installation:** Factory or Field Install End Mount to Fixture
- **Commissioning:** Wirelessly through ALS Control Mobile App (iOS / Android)
- **Certification:** DLC 5.1 Networked Lighting Control System
- **Control:** Hold time, High-Low setting, continuous Bi-level dimming, Code-compliant manual-on or auto-off capability
- **Sensor:** Motion (Occupancy/Vacancy/Manual) and Daylight Harvesting
- **Room and Zone Control:** Zoning and Grouping control, Scheduling

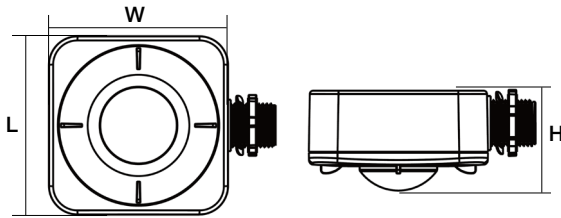


**SPECIFICATIONS**

**SENSOR TYPE:** Passive Infrared Sensor (PIR)  
**WIRELESS STANDARDS:** Bluetooth SIG Mesh  
**INPUT VOLTAGE:** 120/277VAC  
**CONTROL OUTPUT:** 0-10V  
**OPERATING TEMP:** -40°F ~ +167°F (-40°C ~ +75°C)

**COMMISSIONING RANGE:** 50FT  
**BLUETOOTH RANGE:** Intergral antenna up to 100FT  
**DETECTION ANGLE:** Vertical 90° x Horizontal 360°  
**MOUNTING HEIGHT:** 8 - 40FT  
**WARRANTY:** 5 years  
**IP RATING:** IP20 Damp

**DIMENSIONS**



L	W	H
3.19" (81mm)	4.02" (102mm)	1.70" (43.3mm)

**COVERAGE PATTERNS**

