

SPM SERIES G2 SPORTS LIGHT

Client:
 Project:
 Type:
 Quantity:

CONSTRUCTION

Sealed die casting body, low profile 3G vibration rated impact design.
 Driver enclosure suitable for remote mounting, is completely sealed against moisture and environmental contaminants. Low wind-load design, light weight, EPA friendly.

OPTICS

Available in NEMA 3H x 3V and 4H x 4V distribution, optics are precisely designed to shape the distribution, maximizing efficiency and maintain high light level for various sports field application.
 Light engines available in 4000K and 5000K (80+ CRI) configurations.
 Optional: Scalable lumen package from 35,000 to 160,000 lumens.
 Optional: RGB LED (consult factory)

ELECTRICAL

-40°C minimum to +55°C (-40°F to 131°F) maximum operating temperature.
 RoHS compliant electronic Class I drivers expected life of 150,000 hours.
 >.9 power factor, <20% total harmonic distortion, built-in 10kV surge protector.

SENSOR (OPTIONAL)

CONTROL-LVFA AVI-ON Bluetooth Mesh Controller.

MOUNTING

Robust designed yoke mount secured with 3/4" bolt, versatile mounting bracket designed for ease of installation and offers precise horizontal and vertical aiming capability.

STANDARD FINISH

UV stabilized polyester powder paint finish.

CERTIFICATION

Wet location label standard.
 Meets Buy America Act requirements.
 All luminaires are built to UL1598 standards and bear appropriate cULus labels.
 DLC® Premium (DesignLights Consortium Qualified)

WARRANTY

10 year warranty, see Limited Warranty for additional information.



SHIPPING DATA

Product	Measurement	Weight
SPM-500-G2	30"L x 22"W x 17"H	55 lb
SPM-600-G2	30"L x 22"W x 17"H	55 lb
SPM-850-G2	35"L x 25"W x 22"H	64 lb
SPM-1200-G2	35"L x 25"W x 22"H	72 lb



SPM SERIES G2 SPORTS LIGHT

ORDER INFORMATION **EXAMPLE : SPM 500 G2 40 44 YM BK UD**

Fixture	Series	Power & LM	CCT	Distribution	Mounting	Finish	Input
	SPM				YM	BK	

Accessories
Options

A SERIES

SPM Sports Light

B POWER & LM

CODE	POWER	LUMEN	LPW (AVG.)	CODE	POWER	LUMEN	LPW (AVG.)
500-G2	500W	72,000	140	850-G2	850W	120,000	141
600-G2	600W	92,200	153	1200-G2	1200W	160,000	133

C CCT

40	4000K	RGB	Red, Green Blue Mixed LED (Made to Order, Consult Factory)
50	5000K		

D DISTRIBUTION

33	NEMA 3H x 3V	44	NEMA 4H x 4V
-----------	--------------	-----------	--------------

E MOUNTING

YM Yoke Mount

F FINISH

BK Black Finish

G INPUT

UD	120-277V input, 1-10V Dimming (500W by Default)
HD	200-480V input, 1-10V Dimming (600/850/1200W by Default)

H ACCESSORIES/OPTIONS

AIA	Assembled in America, compliant with BAA (COTS)
blank	10-year Warranty (Default)
MOUNT-SPM-SF	Yoke mount to Slipfitter adapter
MOUNT-SPM-SBM	Square Beam Bracket
SPM-POLE-BOX	Remote Pole Box
SURGE-LSP4-H	480V 10kV Surge Protector only for 500W
CONTROL-LVFA*	AVI-ON Bluetooth Mesh Control System
CORD-SPM-G2-EXT	164ft Remote Driver Extension Cord w/Water Tight Quick Connector**

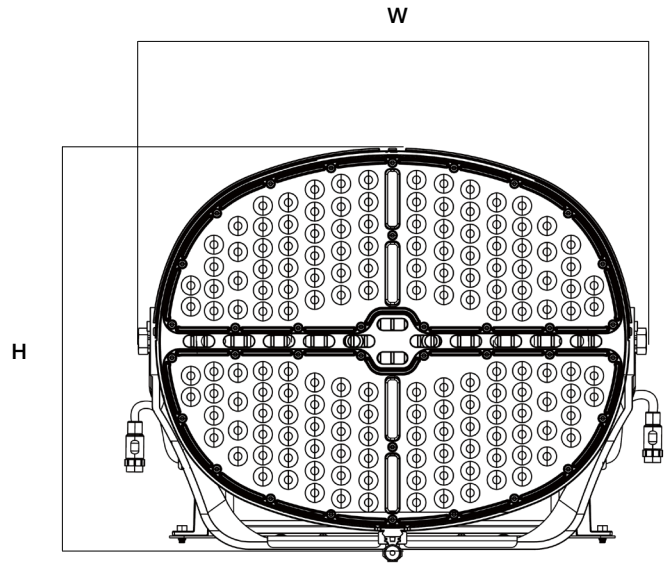
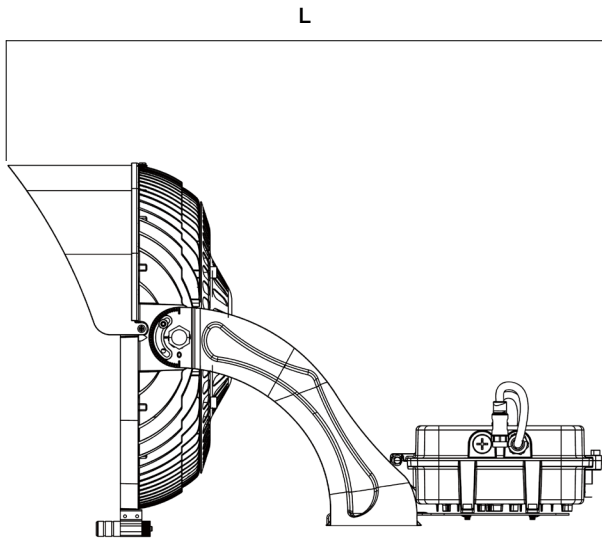
**For Remote Driver application, PART# CORD-SPM-G2-EXT must be used to meet warranty requirement.

*see page 6 for sensor spec

SPM SERIES G2 SPORTS LIGHT

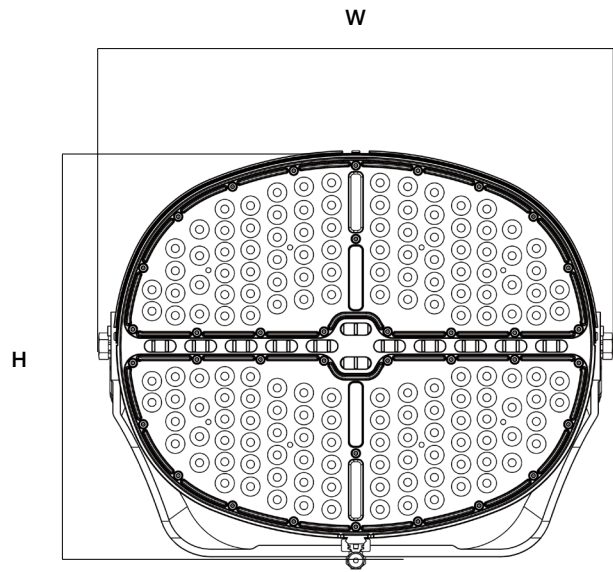
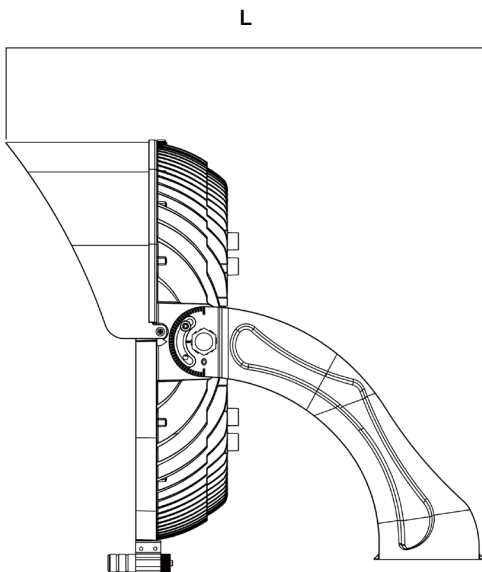
DIMENSIONS (WITH DRIVER ENCLOSURE)

Model	L	W	H
500W / 600W	26.90" (684mm)	20.80" (530mm)	16.90" (430mm)
850W / 1200W	29.80" (757mm)	23.80" (605mm)	19.70" (500mm)



DIMENSIONS (REMOTE DRIVER)

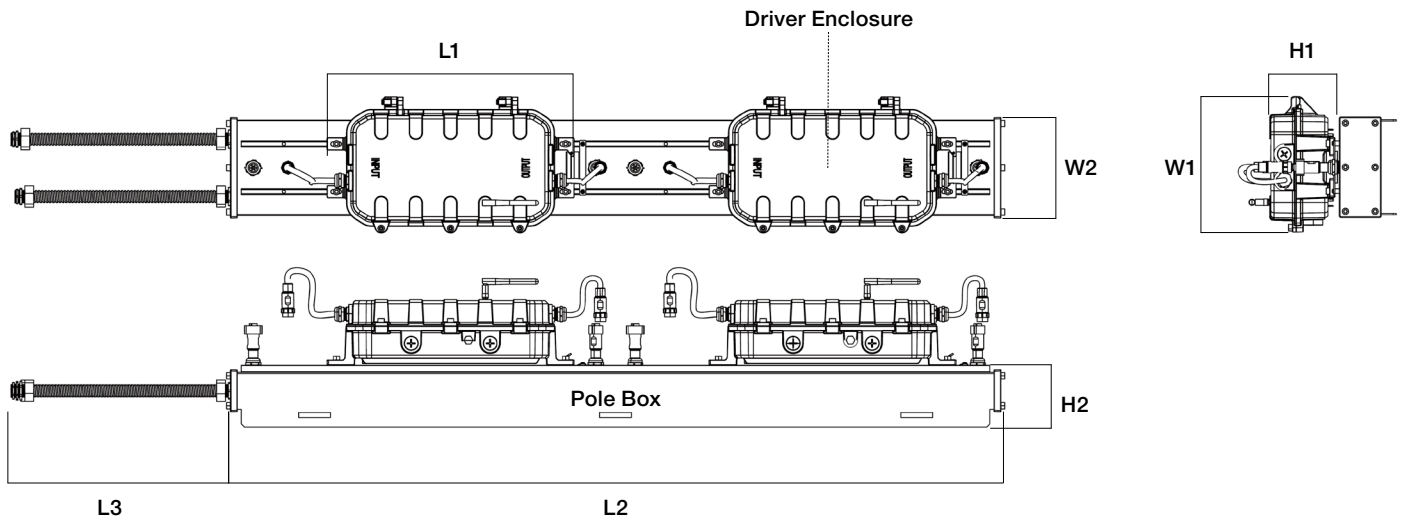
Model	L	W	H
500W / 600W	18.80" (477mm)	20.80" (530mm)	16.90" (430mm)
850W / 1200W	21.70" (552mm)	23.80" (605mm)	19.70" (500mm)



SPM SERIES G2 SPORTS LIGHT

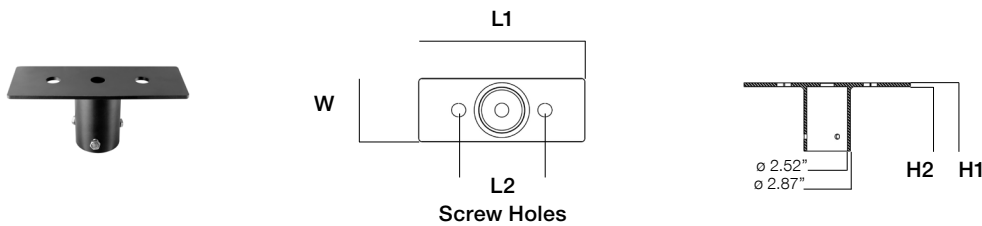
DIMENSIONS (REMOTE DRIVER ENCLOSURE)

Model	L1	W1	H1	L2	W2	H2	L3
Driver Enclosure for 500W / 600W	15.30" (388mm)	8.40" (214mm)	4.10" (103mm)	-	-	-	-
Driver Enclosure for 850W / 1200W	18.50" (470mm)	9.60" (244mm)	4.10" (103mm)	-	-	-	-
Pole Box	-	-	-	47.70" (1211mm)	6.20" (158mm)	3.80" (97mm)	47.20" (1200mm)

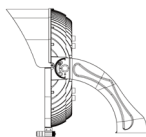


DIMENSIONS (MOUNT-SPM-SF)

Model	L1	L2	W	H1	H2
MOUNT-SPM-SF	10.31" (262mm)	5.35" (136mm)	3.94" (100mm)	4.25" (108mm)	4.21" (107mm)



EPA (ft²)



Mounting	Yoke
500W / 600W	1.891
850W / 1200W	2.547

SPM SERIES G2 SPORTS LIGHT

PERFORMANCE DATA

SYSTEM WATTS	VOLTAGE	DIST. TYPE	4000K		5000K	
			LUMEN	LPW	LUMEN	LPW
500W	100-277V, 480V	33	73247	146	73051	146
	100-277V, 480V	44	72275	145	73113	146
600W	100-277V, 480V	33	92352	154	92562	154
	100-277V, 480V	44	92378	154	92688	154
850W	100-277V, 480V	33	122485	144	122076	144
	100-277V, 480V	44	122344	144	121679	143
1200W	100-277V, 480V	33	162090	135	162363	135
	100-277V, 480V	44	161952	135	161272	134

DLC Code

Part Number	DLC Part Number	DLC Class
SPM - 500-G2 40 33 - XX BK UD / HD	Pending	Premium
SPM - 500-G2 50 33 - XX BK UD / HD	Pending	Premium
SPM - 500-G2 40 44 - XX BK UD / HD	Pending	Premium
SPM - 500-G2 50 44 - XX BK UD / HD	Pending	Premium
SPM - 600-G2 40 33 - XX BK UD / HD	Pending	Premium
SPM - 600-G2 50 33 - XX BK UD / HD	Pending	Premium
SPM - 600-G2 40 44 - XX BK UD / HD	Pending	Premium
SPM - 600-G2 50 44 - XX BK UD / HD	Pending	Premium
SPM - 850-G2 40 33 - XX BK UD / HD	Pending	Premium
SPM - 850-G2 50 33 - XX BK UD / HD	Pending	Premium
SPM - 850-G2 40 44 - XX BK UD / HD	Pending	Premium
SPM - 850-G2 50 44 - XX BK UD / HD	Pending	Premium
SPM - 1200-G2 40 33 - XX BK UD / HD	Pending	Premium
SPM - 1200-G2 50 33 - XX BK UD / HD	Pending	Premium
SPM - 1200-G2 40 44 - XX BK UD / HD	Pending	Premium
SPM - 1200-G2 50 44 - XX BK UD / HD	Pending	Premium

SPM SERIES G2 SPORTS LIGHT

SENSOR SPEC

Model	Type	Mounting	Coverage	Input	Function	Programmable
CONTROL-LVFA (see page 7 for detail)	Fixture Controller	-	-	12V DC	Bluetooth Mesh On/Off/Dimming Scheduling	AVI-ON Bluetooth Mobile App



CONTROL-LVFA

SPM SERIES G2 SPORTS LIGHT

CONTROL-LVFA SPEC

Status LEDs & Config Button

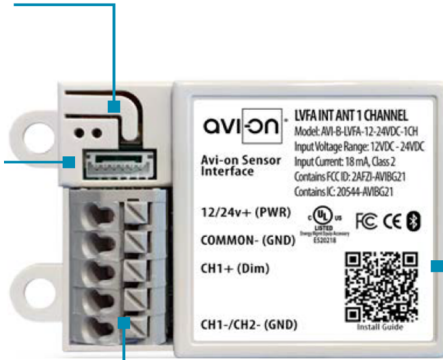
Quick and easy validation of wiring and network

Direct Connect™ Sensor Port

Simple and cost-effective addition to Avi-on sensors

Terminal Blocks & Mounting Tabs

Faster, easier and lower cost installation eliminating connectors



Internal Antenna

Improved performance and eliminates risk of accidentally cutting a hanging wire

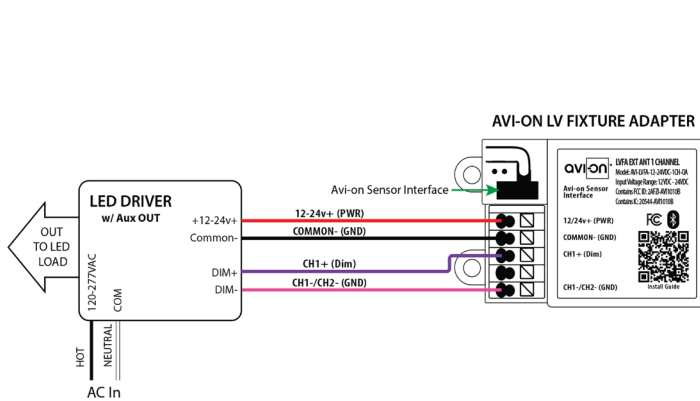
SPECIFICATIONS

INPUT VOLTAGE: 12-24VDC
CURRENT: 15mA without a Sensor
 19mA with a DC PIR Sensor
 48mA with a DC Microwave Sensor
0-10V DIMMING: 12-24VDC
SIZE: 2.30in x 1.43in x 0.75in
 (58.2mm x 36.4mm x 19mm)
MOUNTING: Removable mounting tabs
WEIGHT: 0.45 oz (16g)
OPERATING TEMP: -22°F to +158°F (-30°C to + 70°C)

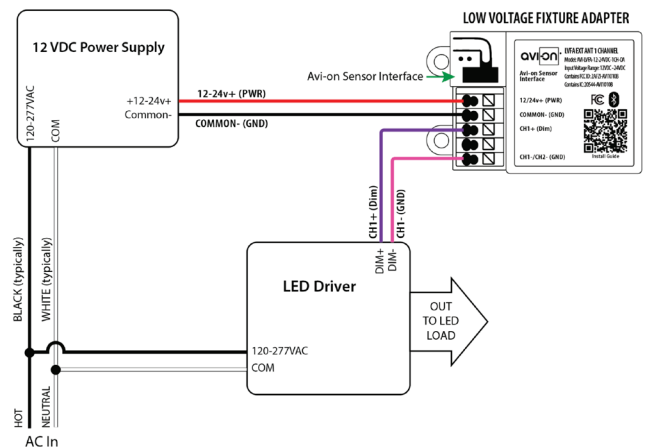
RADIO FREQUENCY: 2.4GHz
WIRELESS STANDARD: BLE 4.2 with Mesh
POINT TO POINT RANGE*: 80ft with obstructions
 350ft unobstructed
SECURITY: AES 128-bit encryption for device to device communication
 AES 256-bit encryption for device to cloud communication
WARRANTY: 5 years; 10 years optional
REGULATORY: FCC: 2AFZI-AVI1010 B
 IC: 20544-AVI1010 B
 BQB: D031801, DID: 86303
 UL 916, 2043 (Plenum Rated)

*When communicating through the mesh, range is essentially unlimited (5000ft+)

WIRING DIAGRAM



Fixture adapter powered by LED driver auxiliary output



Fixture adapter connected to LED driver and using power supply