

LHCA SERIES SELECTABLE LINEAR BAY LIGHT

Client:
 Project:
 Type:
 Quantity:

CONSTRUCTION

Compact die-cast aluminum housing, sturdy structure design, entire body serves as heat sink for the light engine. Includes top and side knockouts for simple and accessible wiring.

OPTICS

>95% efficiency polycarbonate shatter proof frosted lens.

ELECTRICAL

80+ CRI LED.
 -40°C up to 55°C (-40°F up to 131°F) maximum operating temperature.
 100,000 hr LEDs at L70 @ 25°C. 50/60Hz, <20% THD, >.95 Power Factor.
 Driver operates at 120-277V input, 1-10V dimmable driver, down to 10%.
 Optional 347/480V input.
 Optional dimming sensor for occupancy and ambient light level detection.

SENSORS (OPTIONAL)

SENSOR-819-O1 End mount on/off motion sensor lowbay lens.
 SENSOR-819-O2 End mount on/off motion sensor highbay lens.
 SENSOR-819-D1 End mount programmable motion and photocell sensor lowbay lens.
 SENSOR-819-D2 End mount programmable motion and photocell sensor highbay lens.
 SENSOR-BLE-819 End mount ALS CONTROL bluetooth on/off motion sensor lowbay lens.
 SENSOR-BLE-6-4T Integral PIR ALS Control bluetooth/on/off/dimming/photosensing.
 SENSOR-ANT-6-4T Plug-N-Play PIR on/off/dimming/photosensing.
 CONTROL-LVFA AVI-ON Bluetooth Mesh Controller.
 SENSOR-DC-PIR AVI-ON PIR and Daylighting Sensor

MOUNTING

Adjustable aircraft cable hanger as standard mounting included.
 Optional Surface Mounting Kit.

STANDARD FINISH

All metal parts are post painted after fabrication with polyester powder coat paint with 90% reflectance.

CERTIFICATION

Meets Buy America Act requirements.
 All luminaires are built to UL1598 standards for damp location and bear appropriate cULus labels.
 For Emergency application, equipment with UL924 certified battery packs.
 DLC® Premium (DesignLights Consortium Qualified)

WARRANTY

5 year warranty, see Limited Warranty for additional information.



210W



210W

SHIPPING DATA

Product	Measurement	Weight
LHCA-210SC	21"L x 13"W x 3"H	15 lb



LHCA SERIES SELECTABLE LINEAR BAY LIGHT

ORDER INFORMATION **EXAMPLE: LHC 130 50 CK WH UD**

Fixture	Series	Power & LM	CCT	Distribution	Mounting	Finish	Input
	LHC				CK	WH	

A SERIES

LHCA Compact Linear Bay Light Dual Selectable

B POWER & LM

Code	Power Selectable	LM	LPW
210	84W	14,000lm	167
	126W	20,000lm	159
	168W	25,500lm	152
	210W	30,300lm	148

C CCT

SC 4000K / 5000K Field Selectable

D DISTRIBUTION

blank Polycarbonate Shatter-Proof Frosted Diffuser Lens

E MOUNTING

CK Adjustable aircraft cable hanging kit (standard)

F FINISH

WH White

G INPUT

UD 120-277V, 1-10V Dimmable **HD** 347V/480V, 1-10V Dimmable

LHCA SERIES SELECTABLE LINEAR BAY LIGHT

ORDER INFORMATION (CONTINUED)

Accessories
 Options

H ACCESSORIES/OPTIONS

AIA	Assembled in America, compliant with BAA (COTS)
WIREGUARD-LHC-B	Wireguard for LHCA-210
EMB-8W-MST*	8W External Emergency Battery
SENSOR-ANT-6-4T*	Integral PIR on/off/dimming/photosensing for LHCA-210 model
SENSOR-BLE-6-4T*	“Plug-N-Play” Integral Bluetooth Daylight Harvesting Sensor (ALS Control Mobile App) for LHCA-210 model
SENSOR-819-O1/O2*	End mount on/off motion sensor lowbay lens / highbay lens
SENSOR-819-D1/D2*	End mount on/off/dimming dimming sensor lowbay lens / highbay lens
SENSOR-BLE-819-L1 / L2*	End Mount PIR Bluetooth Daylight Harvesting Sensor (ALS Control Mobile App) / L1: up to 20FT, L2: up to 40FT
CONTROL-LVFA*	AVI-ON Bluetooth Mesh Control System
SENSOR-DC-PIR*	AVI-ON PIR Bluetooth Sensor on/off/dimming/photosensing.
REMOTE-RC100	Handheld Remote Commissioning Tool for SENSOR-819-D1/D2 Only, ANT Series
-CORD	18-3 300V 6 Foot Cord
-PLUG	18-3 300V 6 Foot Cord and 3 Prong Plug
TWIST-LOCK	Specify Plug Type: L515P / L715P / HBL5929 / L8-20P

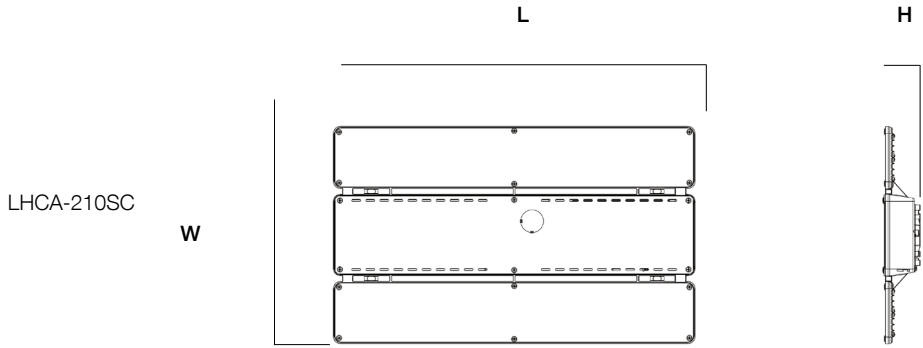
*see page 6 for sensor spec

**see page 7 for emb spec

LHCA SERIES SELECTABLE LINEAR BAY LIGHT

DIMENSIONS

Model	L	W	H
LHCA-210SC	20.70" (525mm)	12.40" (315mm)	2.00" (52mm)



LHCA SERIES SELECTABLE LINEAR BAY LIGHT

PERFORMANCE DATA

SYSTEM WATTS	VOLTAGE	4000K / 5000K	
		LUMENS	LPW
210SC Model @ 84W	120-277V	14028	167
210SC Model @ 126W	120-277V	20034	159
210SC Model @ 168W	120-277V	25536	152
210SC Model @ 210W	120-277V	31080	148

DLC CODE

Part Number	DLC Product ID	DLC Class
LHC-21040-CKWHUD	DLC Product# PMB25ONZ - MLH05210W27V40KMD[Blank,M][Blank,B][Blank or A-Z or a-z or 0-9]	Premium
LHC-21050-CKWHUD	DLC Product# PH5P8V4H - MLH05210W27V50KMD[Blank,M][Blank,B][Blank or A-Z or a-z or 0-9]	Premium

LHCA SERIES SELECTABLE LINEAR BAY LIGHT

SENSOR SPEC

Model	Type	Mounting	Coverage	Input	Function	Programmable
SENSOR-ANT-6-4T	PIR	up to 40FT	30FT radius	12V DC	On/Off/Dimming	REMOTE-RC100
SENSOR-BLE-6-4T (see page 10 for detail)	PIR	up to 40FT	30FT radius	12V DC	Bluetooth Mesh On/Off/Dimming Daylight Harvesting	ALS Control Bluetooth Mobile App
SENSOR-819-O1 SENSOR-819-O2	PIR	20FT 40FT	30FT radius 30FT radius	Universal	On/Off	-
SENSOR-819-D1 SENSOR-819-D2	PIR	20FT 40FT	30FT radius 30FT radius	Universal	On/Off/Dimming	REMOTE-RC100
SENSOR-BLE-819 (see page 11 for detail)	PIR	L1 - 20FT L2 - 40FT	30FT radius 30FT radius	Universal	Bluetooth Mesh On/Off/Dimming Daylight Harvesting	ALS Control Bluetooth Mobile App
CONTROL-LVFA (see page 8 for detail)	Fixture Controller	-	-	12V DC	Bluetooth Mesh On/Off/Dimming Scheduling	AVI-ON Bluetooth Mobile App
SENSOR-DC-PIR (see page 9 for detail)	PIR	8FT ~ 40FT	45FT radius	AVI-ON Sensor Interface	Bluetooth Mesh Daylight Harvesting Motion	AVI-ON Bluetooth Mobile App



SENSOR-ANT-6-4T
 SENSOR-BLE-6-4T



SENSOR-819-XX
 SENSOR-BLE-819



CONTROL-LVFA

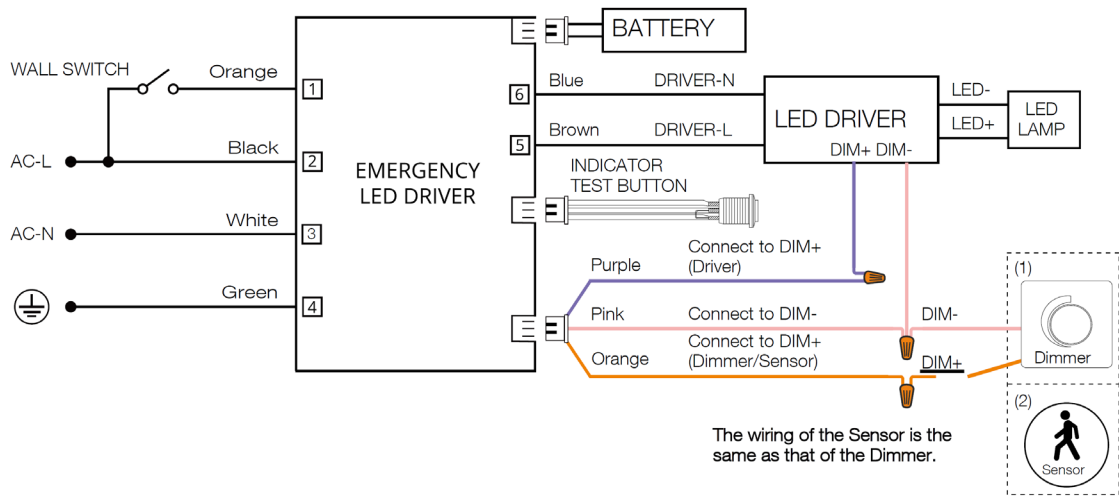


SENSOR-DC-PIR

LHCA SERIES SELECTABLE LINEAR BAY LIGHT

EMB SPEC

Model	Battery Capacity	Input	Output	Output Power	Operating Temp	Installation
EMB-8W-MST	90mins	100-347VAC	170VDC	8W	10°C ~ 60°C 50°F ~ 140°F	Factory or Field Install



LHCA SERIES SELECTABLE LINEAR BAY LIGHT

CONTROL-LVFA SPEC

Status LEDs & Config Button

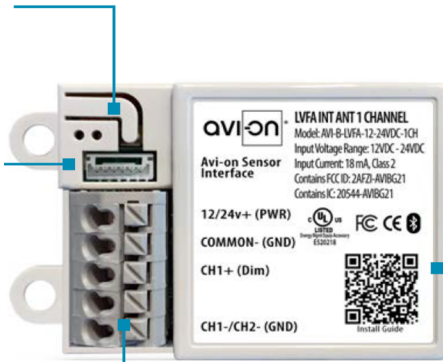
Quick and easy validation of wiring and network

Direct Connect™ Sensor Port

Simple and cost-effective addition to Avi-on sensors

Terminal Blocks & Mounting Tabs

Faster, easier and lower cost installation eliminating connectors



Internal Antenna

Improved performance and eliminates risk of accidentally cutting a hanging wire

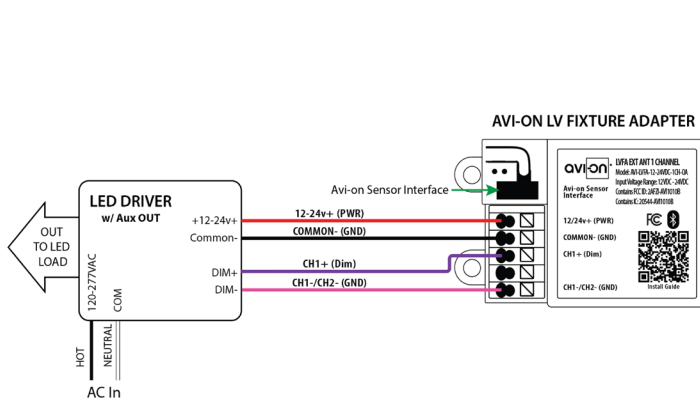
SPECIFICATIONS

INPUT VOLTAGE: 12-24VDC
CURRENT: 15mA without a Sensor
 19mA with a DC PIR Sensor
 48mA with a DC Microwave Sensor
0-10V DIMMING: 12-24VDC
SIZE: 2.30in x 1.43in x 0.75in
 (58.2mm x 36.4mm x 19mm)
MOUNTING: Removable mounting tabs
WEIGHT: 0.45 oz (16g)
OPERATING TEMP: -22°F to +158°F (-30°C to + 70°C)

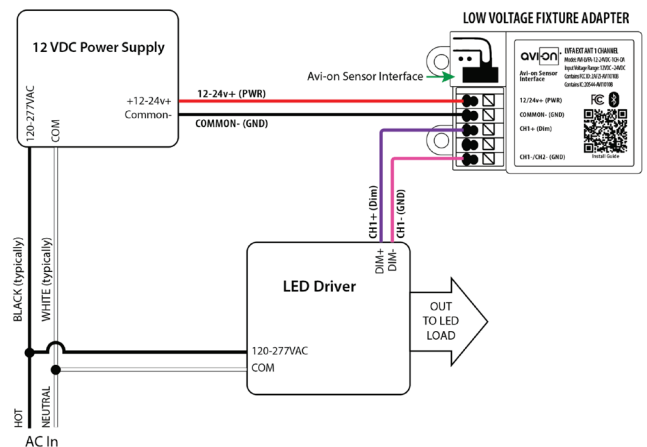
RADIO FREQUENCY: 2.4GHz
WIRELESS STANDARD: BLE 4.2 with Mesh
POINT TO POINT RANGE*: 80ft with obstructions
 350ft unobstructed
SECURITY: AES 128-bit encryption for device to device communication
 AES 256-bit encryption for device to cloud communication
WARRANTY: 5 years; 10 years optional
REGULATORY: FCC: 2AFZI-AVI1010 B
 IC: 20544-AVI1010 B
 BQB: D031801, DID: 86303
 UL 916, 2043 (Plenum Rated)

*When communicating through the mesh, range is essentially unlimited (5000ft+)

WIRING DIAGRAM



Fixture adapter powered by LED driver auxiliary output



Fixture adapter connected to LED driver and using power supply

LHCA SERIES SELECTABLE LINEAR BAY LIGHT

SENSOR-DC-PIR SPEC

Bi Level PIR Motion & Daylighting Sensor
 Fully Adjustable parameters

Easy Connect to Avi-on Fixture
 & Zone Controllers
 3ft and 10ft cable options are easy
 to install inside or outside fixture



Flexible Mounting Options

- In-fixture
- Ceiling Mount
- Side Mount
- Junction Mount
- IP 67 for Watertight Applications
- UL Indoor Rated

High Resolution Lens & Sensor

A Single product suited for 8' to 40' mounting heights, indoor and outdoor, warehouse and office

SPECIFICATIONS

INPUT VOLTAGE: AVI-ON Direct Connect Low Voltage DC Sensor Port
SIZE: 2.30in x 1.43in x 0.75in
 (58.2mm x 36.4mm x 19mm)
MOUNTING: 8FT - 40 FT
PIR Head (Ceiling or Fixture): 1/2in (18mm)
 Threaded insert size:
 0.80in (20.5mm) x 0.4in (10mm) tall.
Elbow: Connector thread size:
 0.80in (20.5mm) x 0.79in (20mm).
WEIGHT: 1.4oz (40g)

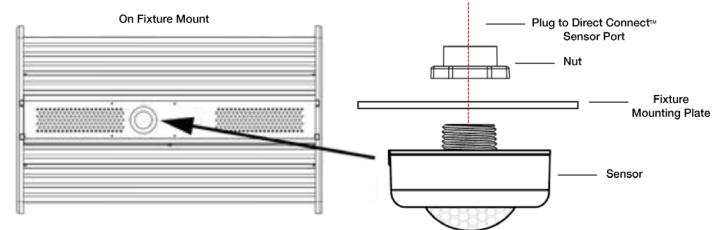
OPERATING TEMP: -22°F to +158°F (-30°C to +70°C)
STORAGE TEMP: -40°F to +185°F (-40°C to +85°C)
OPERATING MODES: Occupancy, Vacancy, UV-C safety, B-Level, dim-to-specified level (never off), schedule driven, control zones
STATUS LED: Motion Detection
DAYLIGHT HARVESTING: Open or closed loop
DAYLIGHTING RANGE: 360° X 90°
WARRANTY: 5 years; 10 years optional
REGULATORY: UL 916
 IP 67 - Sensor Head
 IP 66 - With Elbow Head

*Note: Operating controller at or above these levels may result in damage to components/product

WIRING DIAGRAM



MOUNTING DIAGRAM



FEATURE

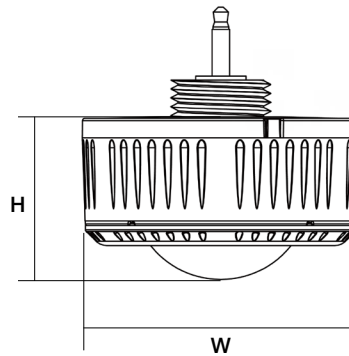
- **Installation:** Plug-N-Play via AUX socket on attached fixture
- **Commissioning:** Wirelessly through ALS Control Mobile App (iOS / Android)
- **Certification:** DLC 5.1 Networked Lighting Control System
- **Control:** Hold time, High-Low setting, continuous Bi-level dimming, Code-compliant manual-on or auto-off capability
- **Sensor:** Motion (Occupancy/Vacancy/Manual) and Daylight Harvesting
- **Room and Zone Control:** Zoning and Grouping control, Scheduling



SPECIFICATIONS

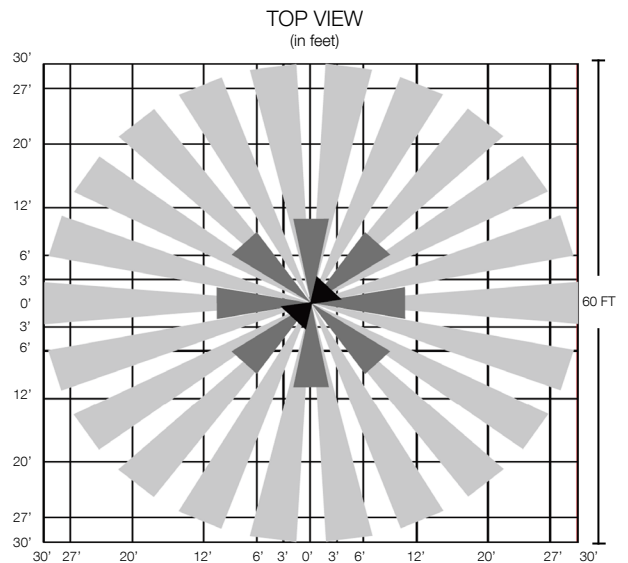
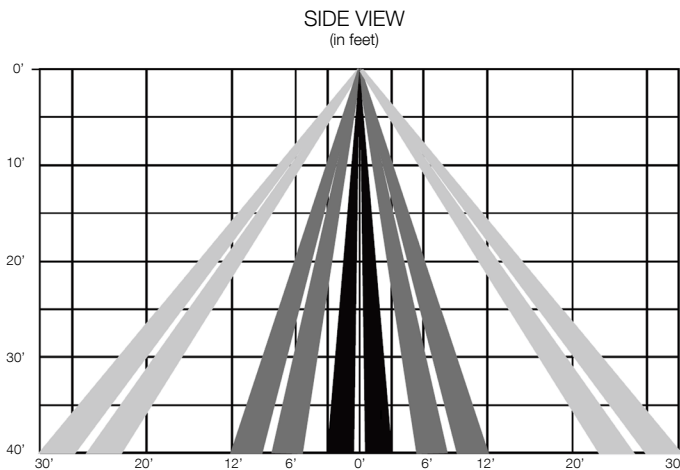
SENSOR TYPE:	Passive Infrared Sensor (PIR)
WIRELESS STANDARDS:	5.0 Bluetooth Mesh
INPUT VOLTAGE:	12-24VDC, >50mA
CONTROL OUTPUT:	0-10V
OPERATING TEMP:	-4°F ~ +140°F (-20°C ~ +60°C)
COMMISSIONING RANGE:	50FT
BLUETOOTH RANGE:	164FT
DETECTION ANGLE:	360°
MOUNTING HEIGHT:	Up to 40FT
WARRANTY:	5 years
IP RATING:	IP65

DIMENSIONS



H	W
1.03" (26.2mm)	2.17" (55mm)

COVERAGE PATTERNS



FEATURE

- **Installation:** Factory or Field Install End Mount to Fixture
- **Commissioning:** Wirelessly through ALS Control Mobile App (iOS / Android)
- **Certification:** DLC 5.1 Networked Lighting Control System
- **Control:** Hold time, High-Low setting, continuous Bi-level dimming, Code-compliant manual-on or auto-off capability
- **Sensor:** Motion (Occupancy/Vacancy/Manual) and Daylight Harvesting
- **Room and Zone Control:** Zoning and Grouping control, Scheduling

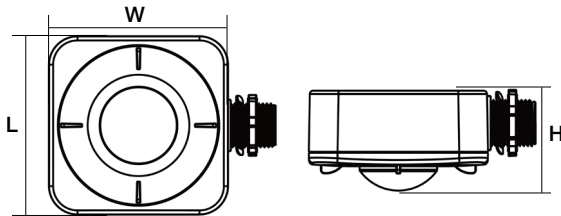


SPECIFICATIONS

SENSOR TYPE: Passive Infrared Sensor (PIR)
WIRELESS STANDARDS: Bluetooth SIG Mesh
INPUT VOLTAGE: 120/277VAC
CONTROL OUTPUT: 0-10V
OPERATING TEMP: -40°F ~ +167°F (-40°C ~ +75°C)

COMMISSIONING RANGE: 50FT
BLUETOOTH RANGE: Integral antenna up to 100FT
DETECTION ANGLE: Vertical 90° x Horizontal 360°
MOUNTING HEIGHT: 8 - 40FT
WARRANTY: 5 years
IP RATING: IP20 Damp

DIMENSIONS



L	W	H
3.19" (81mm)	4.02" (102mm)	1.70" (43.3mm)

COVERAGE PATTERNS

