



SENSOR-ANT-6-4T PIR SENSOR SENSOR-ANT-6-4T-EM

Client:
Project:
Type:
Quantity:

FEATURE

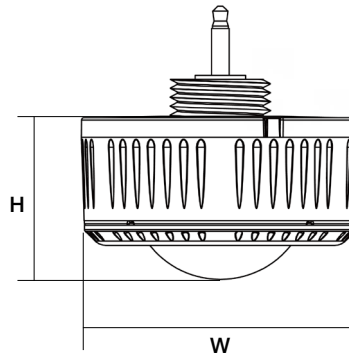
- **Installation:** Plug-N-Play via AUX Socket on Attached Fixture
- **Commissioning:** through Remote Control
- **Control:** Hold time, High-Low setting, Continuous Bi-Level Dimming, Code-Compliant Manual-On or Auto-Off Capability
- **Sensor:** Motion (Occupancy/Vacancy/Manual) and Daylight



SPECIFICATIONS

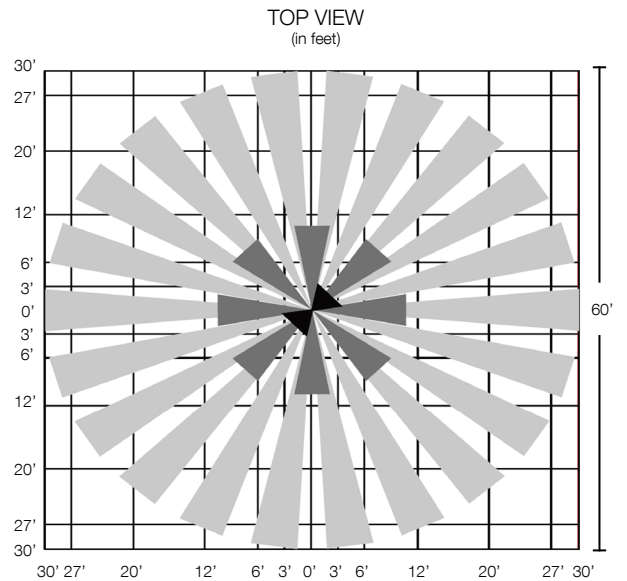
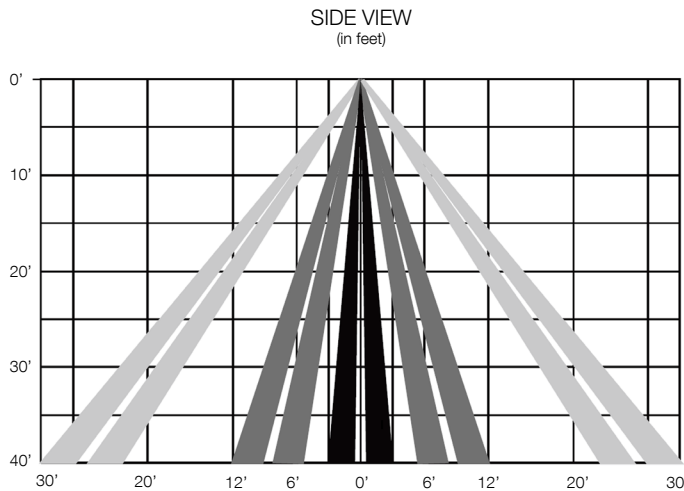
SENSOR TYPE:	Passive Infrared Sensor (PIR)
STANDARD OPTION:	SENSOR-ANT-6-4T
EMB OPTION:	SENSOR-ANT-6-4T-EM (Designed for fixtures with emergency kit. When the voltage power is off, the sensor will stop working.)
INPUT VOLTAGE:	12-24VDC, >30mA
LIGHT CONTROL:	10 ~ 50LUX
CONTROL OUTPUT:	0-10V
OPERATING TEMP:	-4°F ~ +140°F (-20°C ~ +60°C)
COMMISSIONING RANGE:	50FT from Remote Control
TIME SETTING:	10sec ~ 60min (adjustable)
DETECTION ANGLE:	360°
MOUNTING HEIGHT:	Up to 40FT
WARRANTY:	5 years
IP RATING:	IP65

DIMENSIONS



H	W
1.03" (26.2mm)	2.17" (55mm)

COVERAGE PATTERNS



FEATURE

The Remote control wireless IR configuration tool is a handheld tool for remote configuration of IR-enabled fixture integrated sensors. The tool enables device to modify via push button and stores up to four sensor parameter modes to speed configuration of multiple sensors.

	PROGRAMMABLE	RESET
COMPATIBLE SENSORS	SENSOR-ANT-6-4T SENSOR-ANT-6-4T-EM SENSOR-ANT-7 SENSOR-ANT-3C-B1 SENSOR-819-D1/D2 SENSOR-823 SENSOR-820	SENSOR-BLE-6-4T SENSOR-BLE-7 SENSOR-BLE-7D SENSOR-BLE-819 SENSOR-BLE-619 CONTROL-BLE-5-4T WALLSWITCH-BLE-101 WALLSWITCH-BLE-204



Dimension

L - 4.84" (123mm)
W - 2.76" (70mm)
H - .80" (20.3mm) Thickness

SPECIFICATION

Carrying Case

RC-100 in Carrying Case

Commissioning Range

Up to 50FT (15mm)

Operating Temp

32F ~ 122F (0°C ~ 50°C)

Power

2 x AAA 1.5V Alkaline batteries

BRIGHTNESS

Set output level (in 70%, 80%, 90%, or 100%) of connected lighting during occupancy.

SENSITIVITY

Set the sensitivity (in 20%, 50%, 75%, or 100%) of the occupancy sensor.

HOLD TIME

Set the time (in 10s, 1m, 5m, 10m, 16m, 20m, 30m, or 60m) that the fixture will hold at normal output after the space is vacant.

DAYLIGHT SENSOR

Set the threshold of natural light (in 10, 30, or 50) as setpoint to light on automatically for the sensor. If natural light is above the selected threshold, fixture will shut off. Set daylight (in 100, 300, 500) as setpoint to light off.

STAND-BY DIM/TIME

DIM: Set the output level (in 0%, 10%, 30%, or 50%) of the fixture during vacancy. This will only take place after Hold Time has elapsed.

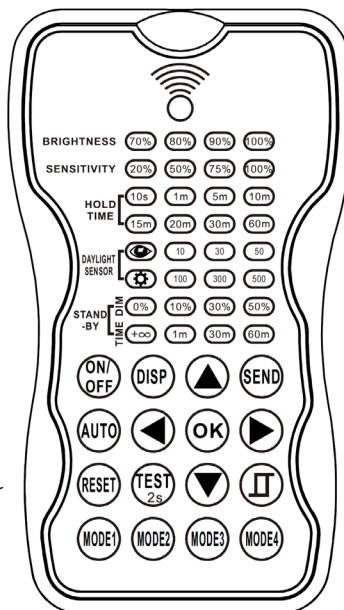
TIME: Set the time (+∞, 1m, 30m, or 50m) that the sensor will remain in stand-by mode before powering down.

ON/OFF

Use this to manually power a fixture on or off.

AUTO

Press Auto to engage/unlock a sensor. Press Auto, then press Display to show the sensors current setting parameters.



DISPLAY

Press to Display to view current setting parameters for each function. LED indicators will highlight current settings.

DIRECTIONAL ARROWS

Use the arrows to navigate the setting options by pressing up/down or left/right.

SEND

Press Send to upload displayed settings to individual sensor/fixture. The fixture will blink on and off to confirm new settings.

SMART DAYLIGHT SENSOR

Open and or close smart daylight sensor. Press up/down arrows buttons to enter setting condition, the parameters LEDs of remote control will flash to be selected.

TEST

Used to test sensitivity of occupancy sensing. Press Test, then the fixture will enter Test Mode, where Hold Time is only 2s. While Test Mode is active, Stand-By and Daylight sensing will be disabled. Press Auto to exit Test Mode.

RESET

Press Reset to put all parameters back to default settings.

MODE

Press the Mode # that you want to save. Use Directional Arrows to select new parameters. Press OK to confirm.