



# LHC SERIES COMPACT LINEAR BAY LIGHT

Client:  
Project:  
Type:  
Quantity:

## CONSTRUCTION

Compact die-cast aluminum housing, sturdy structure design, entire body serves as heat sink for the light engine. Includes top and side knockouts for simple and accessible wiring.

## OPTICS

>95% efficiency polycarbonate shatter proof frosted lens.

## ELECTRICAL

80+ CRI LED.

-40°C up to 55°C (-40°F up to 131°F) maximum operating temperature.

100,000 hr LEDs at L70 @ 25°C. 50/60Hz, <20% THD, >.95 Power Factor.

Driver operates at 120-277V input, 1-10V dimmable driver, down to 10%.

Optional 347/480V input.

Optional dimming sensor for occupancy and ambient light level detection.

## SENSORS (OPTIONAL)

SENSOR-819-O1 End mount on/off motion sensor lowbay lens.

SENSOR-819-O2 End mount on/off motion sensor highbay lens.

SENSOR-819-D1 End mount programmable motion and photocell sensor lowbay lens.

SENSOR-819-D2 End mount programmable motion and photocell sensor highbay lens.

SENSOR-BLE-819 End mount ALS CONTROL bluetooth on/off motion sensor lowbay lens.

SENSOR-BLE-6-4T Integral PIR ALS Control bluetooth/on/off/dimming/photosensing.

SENSOR-ANT-6-4T Plug-N-Play PIR on/off/dimming/photosensing.

CONTROL-LVFA AVI-ON Bluetooth Mesh Controller.

SENSOR-DC-PIR AVI-ON PIR and Daylighting Sensor

## MOUNTING

Adjustable aircraft cable hanger as standard mounting included.

## STANDARD FINISH

All metal parts are post painted after fabrication with polyester powder coat paint with 90% reflectance.

## CERTIFICATION

Meets Buy America Act requirements.

All luminaires are built to UL1598 standards for damp location and bear appropriate cULus labels.

For Emergency application, equipment with UL924 certified battery packs.

DLC® Premium (DesignLights Consortium Qualified)

## WARRANTY

5 year warranty, see Limited Warranty for additional information.



180W / 210W



90W / 130W



180W / 210W

## SHIPPING DATA

Product	Measurement	Weight
LHC-90	13"L x 13"W x 3"H	6 lb
LHC-130	13"L x 13"W x 3"H	8 lb
LHC-180	21"L x 13"W x 3"H	14 lb
LHC-210	21"L x 13"W x 3"H	15 lb



**LHC SERIES COMPACT LINEAR BAY LIGHT**

**ORDER INFORMATION** **EXAMPLE: LHC 130 50 CK WH UD**

Fixture	Series	Power & LM	CCT	Distribution	Mounting	Finish	Input
	<b>LHC</b>				<b>CK</b>	<b>WH</b>	

**A SERIES**

**LHC** Compact Linear Bay Light

**B POWER & LM**

Code	Power	LM	LPW
<b>90</b>	90W	12,600lm	136
<b>130</b>	130W	18,500lm	140
<b>180</b>	180W	25,200lm	135
<b>210</b>	210W	29,000lm	144

**C CCT**

<b>40</b>	4000K
<b>50</b>	5000K

**D DISTRIBUTION**

**blank** Polycarbonate Shatter-Proof Frosted Diffuser Lens

**E MOUNTING**

**CK** Adjustable aircraft cable hanging kit (standard)

**F FINISH**

**WH** White

**G INPUT**

**UD** 120-277V, 1-10V Dimmable **HD** 347V/480V, 1-10V Dimmable

**LHC SERIES COMPACT LINEAR BAY LIGHT**

**ORDER INFORMATION (CONTINUED)**

Accessories  
 Options

**H ACCESSORIES/OPTIONS**

<b>AIA</b>	Assembled in America, compliant with BAA (COTS)
<b>WIREGUARD-LHC-A</b>	Wireguard for LHC-90/130
<b>WIREGUARD-LHC-B</b>	Wireguard for LHC-180/210
<b>EMB-8W-MST**</b>	8W External Emergency Battery
<b>SENSOR-819-O1/O2*</b>	End mount on/off motion sensor lowbay lens / highbay lens
<b>SENSOR-819-D1/D2*</b>	End mount on/off/dimming dimming sensor lowbay lens / highbay lens
<b>SENSOR-BLE-819-L1 / L2*</b>	End Mount PIR Bluetooth Daylight Harvesting Sensor (ALS Control Mobile App) / <b>L1:</b> up to 20FT, <b>L2:</b> up to 40FT
<b>CONTROL-LVFA*</b>	AVI-ON Bluetooth Mesh Control System
<b>SENSOR-DC-PIR*</b>	AVI-ON PIR Bluetooth Sensor on/off/dimming/photosensing.
<b>REMOTE-RC100</b>	Handheld Remote Commissioning Tool for SENSOR-819-D1/D2 Only, ANT Series
<b>-CORD</b>	18-3 300V 6 Foot Cord
<b>-PLUG</b>	18-3 300V 6 Foot Cord and 3 Prong Plug
<b>TWIST-LOCK</b>	Specify Plug Type: <b>L515P / L715P / HBL5929 / L8-20P</b>

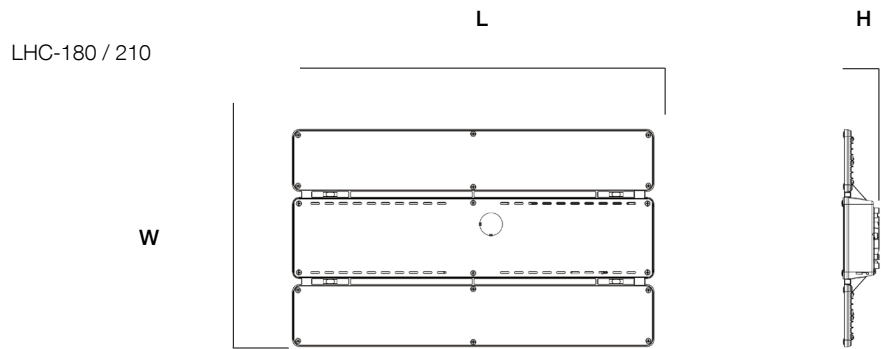
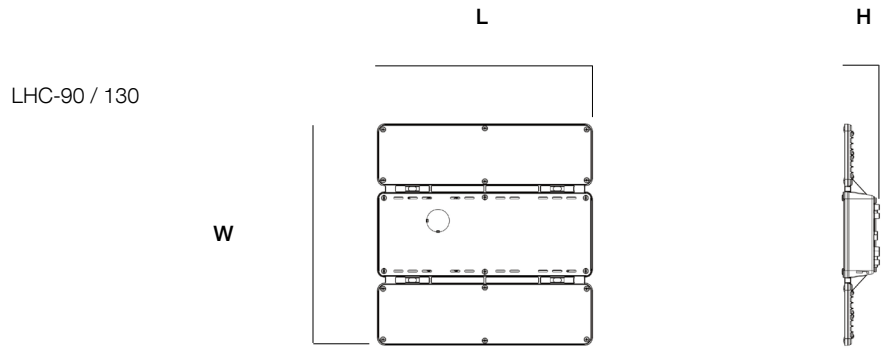
\*see page 6 for sensor spec

\*\*see page 7 for emb spec

**LHC SERIES COMPACT LINEAR BAY LIGHT**

**DIMENSIONS**

Model	L	W	H
LHC-90 / 130	12.30" (312mm)	12.60" (321mm)	2.00" (52mm)
LHC-180 / 210	20.70" (525mm)	12.40" (315mm)	2.00" (52mm)



**LHC SERIES COMPACT LINEAR BAY LIGHT**

**PERFORMANCE DATA**

SYSTEM WATTS	VOLTAGE	4000K / 5000K	
		LUMENS	LPW
90W	120-277V	12240	136
130W	120-277V	18200	140
180W	120-277V	24300	135
210W	120-277V	30240	144

**DLC CODE**

Part Number	DLC Product ID	DLC Class
LHC-9040-CKWHUD	DLC Product# PB14QYBJ - MLH0590W27V40KMD[Blank,M][Blank,B][Blank or A-Z or a-z or 0-9]	Premium
LHC-9050-CKWHUD	DLC Product# PNHATF89 - MLH0590W27V50KMD[Blank,M][Blank,B][Blank or A-Z or a-z or 0-9]	Premium
LHC13040-CKWHUD	DLC Product# PMCFYS09 - MLH05130W27V40KMD[Blank,M][Blank,B][Blank or A-Z or a-z or 0-9]	Premium
LHC-13050-CKWHUD	DLC Product# PJF5SAWN - MLH05130W27V50KMD[Blank,M][Blank,B][Blank or A-Z or a-z or 0-9]	Premium
LHC-18040-CKWHUD	DLC Product# P9BPHU00 - MLH05180W27V40KMD[Blank,M][Blank,B][Blank or A-Z or a-z or 0-9]	Premium
LHC-18050-CKWHUD	DLC Product# PXE7ZTPS - MLH05180W27V50KMD[Blank,M][Blank,B][Blank or A-Z or a-z or 0-9]	Premium
LHC-21040-CKWHUD	DLC Product# PMB25ONZ - MLH05210W27V40KMD[Blank,M][Blank,B][Blank or A-Z or a-z or 0-9]	Premium
LHC-21050-CKWHUD	DLC Product# PH5P8V4H - MLH05210W27V50KMD[Blank,M][Blank,B][Blank or A-Z or a-z or 0-9]	Premium

**LHC SERIES COMPACT LINEAR BAY LIGHT**

**SENSOR SPEC**

Model	Type	Mounting	Coverage	Input	Function	Programmable
SENSOR-819-O1 SENSOR-819-O2	PIR	20FT	30FT radius	Universal	On/Off	-
		40FT	30FT radius			
SENSOR-819-D1 SENSOR-819-D2	PIR	20FT	30FT radius	Universal	On/Off/Dimming	REMOTE-RC100
		40FT	30FT radius			
SENSOR-BLE-819 (see page 10 for detail)	PIR	L1 - 20FT	30FT radius	Universal	Bluetooth Mesh On/Off/Dimming Daylight Harvesting	ALS Control Bluetooth Mobile App
		L2 - 40FT	30FT radius			
CONTROL-LVFA (see page 8 for detail)	Fixture Controller	-	-	12V DC	Bluetooth Mesh On/Off/Dimming Scheduling	AVI-ON Bluetooth Mobile App
SENSOR-DC-PIR (see page 9 for detail)	PIR	8FT ~ 40FT	45FT radius	AVI-ON Sensor Interface	Bluetooth Mesh Daylight Harvesting Motion	AVI-ON Bluetooth Mobile App



SENSOR-819-XX  
 SENSOR-BLE-819



CONTROL-LVFA

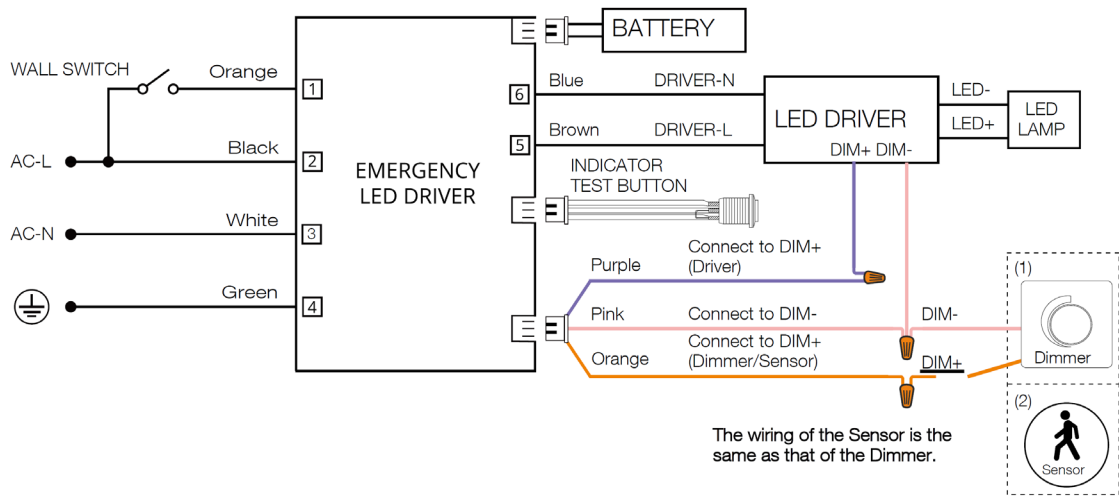


SENSOR-DC-PIR

**LHC SERIES COMPACT LINEAR BAY LIGHT**

**EMB SPEC**

Model	Battery Capacity	Input	Output	Output Power	Operating Temp	Installation
EMB-8W-MST	90mins	100-347VAC	170VDC	8W	10°C ~ 60°C 50°F ~ 140°F	Factory or Field Install



# LHC SERIES COMPACT LINEAR BAY LIGHT

## CONTROL-LVFA SPEC

### Status LEDs & Config Button

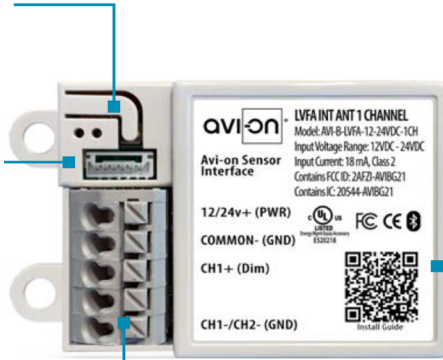
Quick and easy validation of wiring and network

### Direct Connect™ Sensor Port

Simple and cost-effective addition to Avi-on sensors

### Terminal Blocks & Mounting Tabs

Faster, easier and lower cost installation eliminating connectors



### Internal Antenna

Improved performance and eliminates risk of accidentally cutting a hanging wire

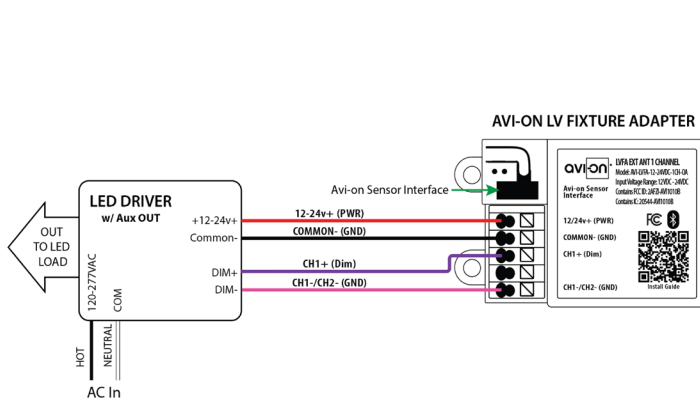
## SPECIFICATIONS

**INPUT VOLTAGE:** 12-24VDC  
**CURRENT:** 15mA without a Sensor  
 19mA with a DC PIR Sensor  
 48mA with a DC Microwave Sensor  
**0-10V DIMMING:** 12-24VDC  
**SIZE:** 2.30in x 1.43in x 0.75in  
 (58.2mm x 36.4mm x 19mm)  
**MOUNTING:** Removable mounting tabs  
**WEIGHT:** 0.45 oz (16g)  
**OPERATING TEMP:** -22°F to +158°F (-30°C to + 70°C)

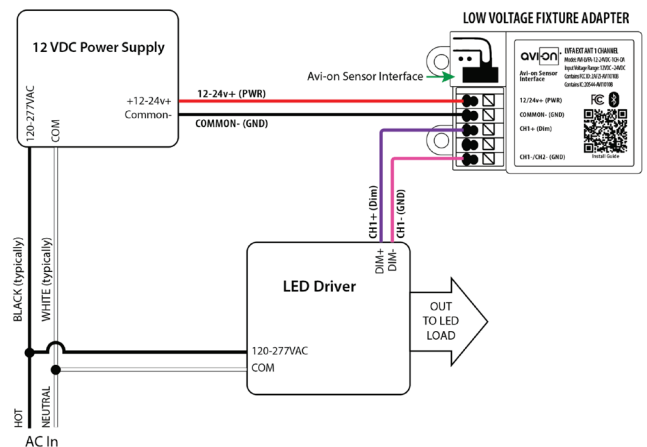
**RADIO FREQUENCY:** 2.4GHz  
**WIRELESS STANDARD:** BLE 4.2 with Mesh  
**POINT TO POINT RANGE\*:** 80ft with obstructions  
 350ft unobstructed  
**SECURITY:** AES 128-bit encryption for device to device communication  
 AES 256-bit encryption for device to cloud communication  
**WARRANTY:** 5 years; 10 years optional  
**REGULATORY:** FCC: 2AFZI-AVI1010 B  
 IC: 20544-AVI1010 B  
 BQB: D031801, DID: 86303  
 UL 916, 2043 (Plenum Rated)

\*When communicating through the mesh, range is essentially unlimited (5000ft+)

## WIRING DIAGRAM



Fixture adapter powered by LED driver auxiliary output



Fixture adapter connected to LED driver and using power supply



**LHC SERIES COMPACT LINEAR BAY LIGHT**

**SENSOR-DC-PIR SPEC**

Bi Level PIR Motion & Daylighting Sensor  
 Fully Adjustable parameters

Easy Connect to Avi-on Fixture  
 & Zone Controllers  
 3ft and 10ft cable options are easy  
 to install inside or outside fixture



Flexible Mounting Options

- In-fixture
- Ceiling Mount
- Side Mount
- Junction Mount
- IP 67 for Watertight Applications
- UL Indoor Rated

High Resolution Lens & Sensor

A Single product suited for 8' to 40' mounting heights, indoor and outdoor, warehouse and office

**SPECIFICATIONS**

**INPUT VOLTAGE:** AVI-ON Direct Connect Low Voltage DC Sensor Port  
**SIZE:** 2.30in x 1.43in x 0.75in  
 (58.2mm x 36.4mm x 19mm)  
**MOUNTING:** 8FT - 40 FT  
**PIR Head (Ceiling or Fixture):** 1/2in (18mm)  
 Threaded insert size:  
 0.80in (20.5mm) x 0.4in (10mm) tall.  
**Elbow:** Connector thread size:  
 0.80in (20.5mm) x 0.79in (20mm).  
**WEIGHT:** 1.4oz (40g)

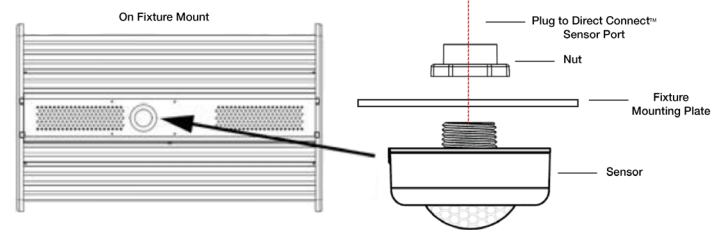
**OPERATING TEMP:** -22°F to +158°F (-30°C to +70°C)  
**STORAGE TEMP:** -40°F to +185°F (-40°C to +85°C)  
**OPERATING MODES:** Occupancy, Vacancy, UV-C safety, B-Level, dim-to-specified level (never off), schedule driven, control zones  
**STATUS LED:** Motion Detection  
**DAYLIGHT HARVESTING:** Open or closed loop  
**DAYLIGHTING RANGE:** 360° X 90°  
**WARRANTY:** 5 years; 10 years optional  
**REGULATORY:** UL 916  
 IP 67 - Sensor Head  
 IP 66 - With Elbow Head

\*Note: Operating controller at or above these levels may result in damage to components/product

**WIRING DIAGRAM**



**MOUNTING DIAGRAM**



**FEATURE**

- **Installation:** Factory or Field Install End Mount to Fixture
- **Commissioning:** Wirelessly through ALS Control Mobile App (iOS / Android)
- **Certification:** DLC 5.1 Networked Lighting Control System
- **Control:** Hold time, High-Low setting, continuous Bi-level dimming, Code-compliant manual-on or auto-off capability
- **Sensor:** Motion (Occupancy/Vacancy/Manual) and Daylight Harvesting
- **Room and Zone Control:** Zoning and Grouping control, Scheduling

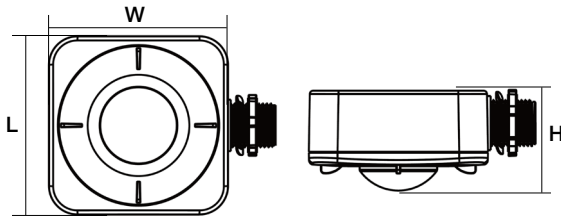


**SPECIFICATIONS**

**SENSOR TYPE:** Passive Infrared Sensor (PIR)  
**WIRELESS STANDARDS:** Bluetooth SIG Mesh  
**INPUT VOLTAGE:** 120/277VAC  
**CONTROL OUTPUT:** 0-10V  
**OPERATING TEMP:** -40°F ~ +167°F (-40°C ~ +75°C)

**COMMISSIONING RANGE:** 50FT  
**BLUETOOTH RANGE:** Intergral antenna up to 100FT  
**DETECTION ANGLE:** Vertical 90° x Horizontal 360°  
**MOUNTING HEIGHT:** 8 - 40FT  
**WARRANTY:** 5 years  
**IP RATING:** IP20 Damp

**DIMENSIONS**



L	W	H
3.19" (81mm)	4.02" (102mm)	1.70" (43.3mm)

**COVERAGE PATTERNS**

