

WPA SERIES SELECTABLE FULL CUTOFF WALL PACK

Client:
 Project:
 Type:
 Quantity:

CONSTRUCTION

Decorative die-cast aluminum housing and door. Rugged design protects internal components and provides excellent thermal management.
 Door assembly hinges to side, cast aluminum housing with three 1/2" conduit entries (on top and 2 sides), for surface conduit.

OPTICS

Full cut-off distribution conform to dark sky requirement - individual acrylic LED optics provide IES Type III distribution.
 CCT selectable light engine available with 3000K ~ 5000K (80CRI).



ELECTRICAL

80+ CRI Lumileds LED.
 WPA-80 output selectable available with 25W / 40W / 60W / 80W.
 WPA-120 output selectable available with 60W / 80W / 100W / 120W.
 -40°C up to 45°C (-40°F up to 113°F) maximum operating temperature.
 >54,000 hr LED at L70.
 Driver operates at 120-277V input, 50/60Hz, <20% THD, 0.9 power factor.
 Standard 15V button photocontrol included.
 Optional 0-10V dimming driver.
 Optional 10kV surge protector.
 Optional 347V / 480V Driver.
 Optional Self-Diagnostic emergency back up.

SENSORS (OPTIONAL)

SENSOR-820 Integral PIR on/off/dimming/photosensing.
 SENSOR-823 Integral PIR on/off/dimming/photosensing.
 SENSOR-BLE-619 Integral PIR ALS Control bluetooth/on/off/dimming/photosensing.
 CONTROL-LVFA AVI-ON Bluetooth Mesh Controller.

MOUNTING

Wall mount over electrical box or via surface conduit.

STANDARD FINISH

Corrosion resistant Dark Bronze powder coating finish.

CUSTOM FINISH

Corrosion resistant Black, Graphite Metallic, Gray, Silver, and White, or custom RAL#

CERTIFICATION

Wet Location Listed.
 Meets Buy America Act requirements.
 Option for "BABAA" compliance upon request.
 IDA compliant: with 3000K color temperature selection.
 Title 24 compliant; see local ordinance for qualification information.
 All luminaires are built to UL1598 standards and bear appropriate cETLus labels.
 DLC® Premium (DesignLights Consortium Qualified) listed.

WARRANTY

5 year warranty, see Limited Warranty for additional information.

SHIPPING DATA

| Product | Measurement | Weight |
|---------|--------------------|--------|
| WPA-80 | 16"L x 11"W x 10"H | 10 lb |
| WPA-120 | 16"L x 11"W x 10"H | 10 lb |



WPA SERIES SELECTABLE FULL CUTOFF WALL PACK

ORDER INFORMATION **EXAMPLE: WPA 80 MC FC DB UD P**

| | | | | | | |
|----------------|---------------|-----------------------|------------|---------------------|---------------|--------------|
| Fixture | Series | Power & LM | CCT | Distribution | Finish | Input |
| | WPA | | MC | FC | | |

Accessories
Options

A SERIES

WPA Selectable Full Cutoff Wall Pack

B POWER & LM

| | | |
|-------------|------------------------------------|--------------------|
| Code | Power | LM |
| 80 | Selectable 25W / 40W / 60W / 80W | 3,254lm ~ 9,920lm |
| 120 | Selectable 60W / 80W / 100W / 120W | 7,808lm ~ 14,880lm |

C CCT

MC Selectable 3000K ~ 5000K

D DISTRIBUTION

FC Full Cutoff

E FINISH

Standard

DB Dark Bronze

Custom Color

| | | | |
|-----------|------------------|-----------------------------|----------------|
| CC | BK Black | GM Graphite Metallic | GR Gray |
| | SV Silver | WH White | RAL# |

F INPUT

| | |
|---------------|---|
| UNVD-P | 120-277V, 0-10V dimming, with photocell |
| HVLD-P | 347-480V, 0-10V dimming, with photocell |

G ACCESSORIES/OPTIONS

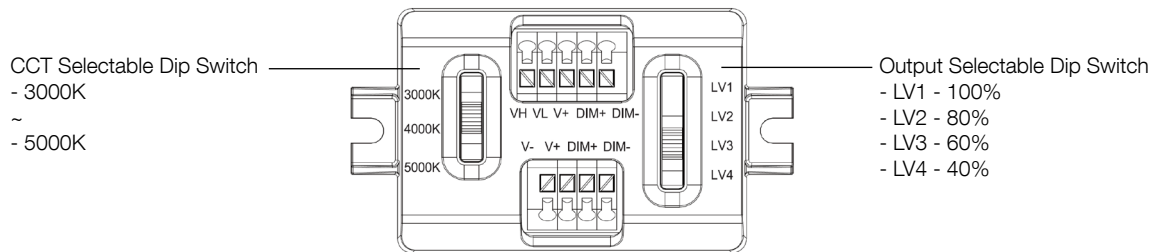
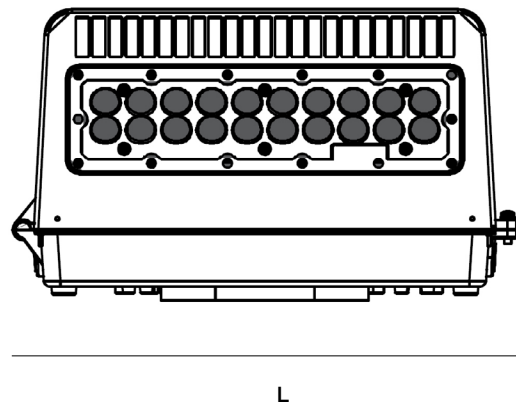
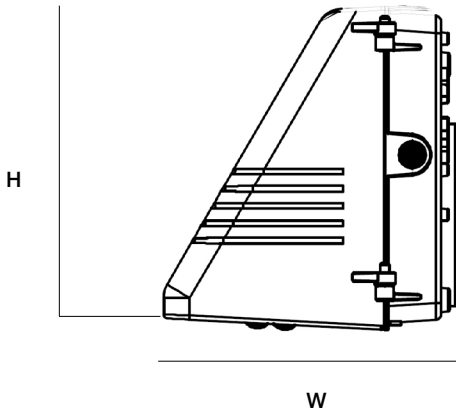
| | |
|--------------------------------|---|
| AIA | Assembled in America, compliant with BAA (COTS) |
| BABAA | Build America, Buy America Act (BABAA) Compliant |
| REMOTE-RC100 | Handheld Remote Commissioning Tool for SENSOR-823, 820 Series |
| EMB-8W-B* | 8W Emergency Battery 170VDC Forward Voltage |
| EMB-18W-B* | 18W Integral Self-Diagnostic Emergency Battery, Operating Temp: 0°C ~ 50°C |
| EMB-18W-C-B* | 18W Integral Self-Diagnostic Cold Weather Emergency Battery, Operating Temp -20°C ~ 50°C |
| SENSOR-820-M8-L3* | Integral PIR on/off/dimming/photosensing (120-480V) |
| SENSOR-823-D3* | Integral PIR on/off/dimming/photosensing (120-277V) / L3: up to 40FT, L4: up to 8FT |
| SENSOR-BLE-619-L3 / L4* | Integral PIR Bluetooth Daylight Sensor (ALS Control Mobile App) / L3: up to 40FT, L4: up to 8FT |
| SURGE-LSP4-U/H | 10kV inline Surge Protection for Universal input / U: 120-277V, H: 480V input |
| CONTROL-LVFA* | AVI-ON Bluetooth Mesh Control System (12V DC Power by Driver) |

*see page 5 for spec

WPA SERIES SELECTABLE FULL CUTOFF WALL PACK

DIMENSIONS

| Model | L | W | H |
|------------------|----------------|---------------|---------------|
| WPA-80 / WPA-120 | 14.37" (364mm) | 8.31" (211mm) | 9.22" (234mm) |



Dip Switch located in back box

WPA SERIES SELECTABLE FULL CUTOFF WALL PACK

PERFORMANCE DATA

| SYSTEM WATTS | VOLTAGE | 3000K / 5000K | | 4000K | |
|--------------|----------|---------------|-----|--------|-----|
| | | LUMENS | LPW | LUMENS | LPW |
| WPA-25W | 120-277V | 3200 | 128 | 3250 | 130 |
| WPA-40W | 120-277V | 5120 | 128 | 5200 | 130 |
| WPA-60W | 120-277V | 7680 | 128 | 7800 | 130 |
| WPA-80W | 120-277V | 10240 | 128 | 10400 | 130 |
| WPA-60W | 120-277V | 7680 | 128 | 7800 | 130 |
| WPA-80W | 120-277V | 10240 | 128 | 10400 | 130 |
| WPA-100W | 120-277V | 12800 | 128 | 13000 | 130 |
| WPA-120W | 120-277V | 15360 | 128 | 15600 | 130 |

PERFORMANCE DATA / DLC CODE

| SYSTEM WATTS | CCT | VOLTAGE | LUMEN | LPW | QTY ON PALLET | PART NUMBER | DLC PRODUCT ID / ORDER CODE | DLC CLASS |
|--------------|---------------------|----------|--------|-----|---------------|--------------------|-----------------------------|--------------------|
| WPA-80 | 3000K ~ 5000K | 120-277V | 9920 | 124 | 96 | WPA-80MC-DBUNVD-P | Product ID: S-P378MI | DLC 5.1 Premium |
| WPA-120 | 3000K ~ 5000K | 120-277V | 15,360 | 128 | 96 | WPA-120MC-DBUNVD-P | Pending | DLC 5.1 Premium |

WPA SERIES SELECTABLE FULL CUTOFF WALL PACK

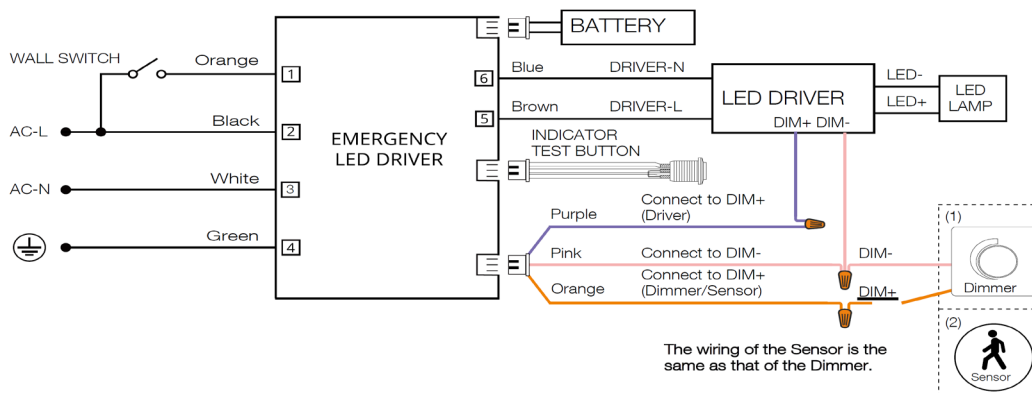
SENSOR SPEC

| Model | Type | Mounting | Coverage | Input | Function | Programmable |
|---|------|-----------------------|----------------------------|------------|--|--|
| SENSOR-823 | PIR | L3 - 40FT L4 - 8FT | 30FT radius 24FT radius | Universal | On/Off/Dimming | REMOTE-RC100 |
| SENSOR-820 | PIR | up to 40FT | 30FT radius | 100 ~ 480V | On/Off/Dimming Daylight Harvesting | REMOTE-RC100 |
| SENSOR-BLE-619 (see page 9 for detail) | PIR | L3 - 40FT L4 - 8FT | 30FT radius 24FT radius | 12V DC | Bluetooth Mesh On/Off Daylight | ALS Control Bluetooth Mobile App |
| CONTROL-LVFA (see page 8 for detail) | - | - | - | 12V DC | Bluetooth Mesh On/Off/Dimming Scheduling | AVI-ON Bluetooth Mobile App |



EMB SPEC

| Model | Battery Capacity | Input | Output | Output Power | Operating Temp | Installation |
|-------------|------------------|------------|--------|--------------|------------------------------|-----------------------------|
| EMB-8W-B | 90mins | 100-347VAC | 170VDC | 8W | 0°C ~ 50°C 32°F ~ 122°F | Factory or Field Install |
| EMB-18W-B | 90mins | 100-347VAC | 170VDC | 18W | 0°C ~ 50°C 32°F ~ 122°F | Factory or Field Install |
| EMB-18W-C-B | 90mins | 100-347VAC | 170VDC | 18W | -20°C ~ 50°C -4°F ~ 122°F | Factory or Field Install |

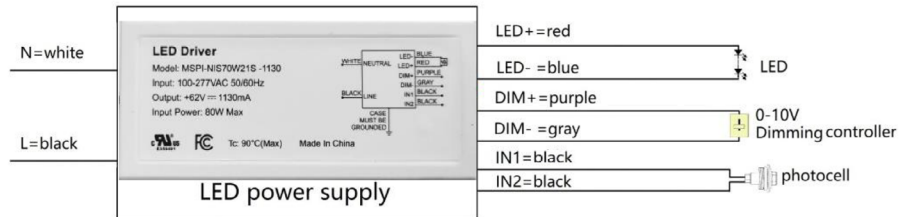
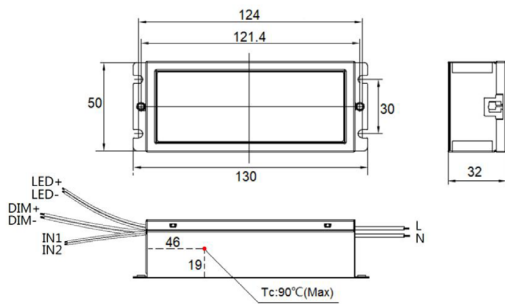
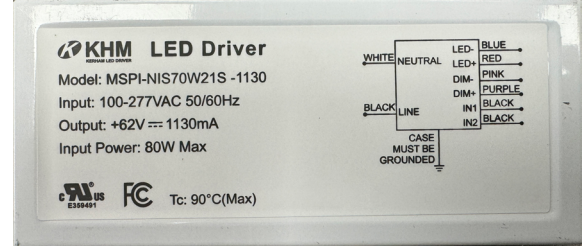


WPA SERIES SELECTABLE FULL CUTOFF WALL PACK

DRIVER SPECIFICATION

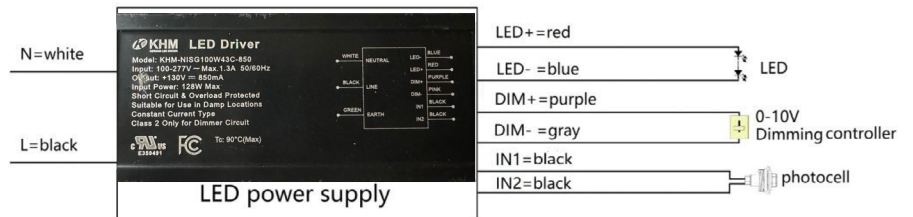
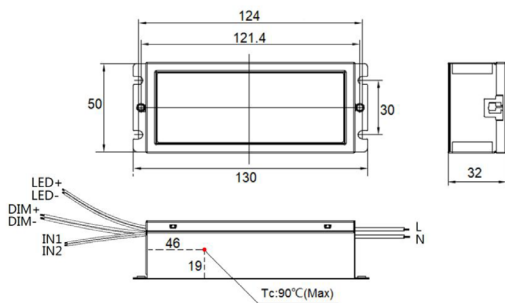
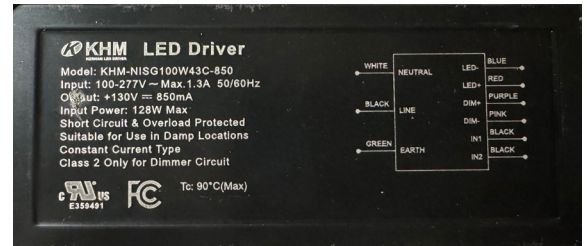
WPA-80 Driver Spec

- Input: 100-277Vac / 347~480Vac
- Output Wattage: 80W Max
- Output Voltage: 63Vdc Max
- Output Current: 1130mA Max
- Power Factor: 0.91
- THD: 17% MAX
- Dimming: 0-10V Dim to Off
- AUX Output: 12Vdc
- MAX Temp: 90°C



WPA-120 Driver Spec

- Input: 100-277Vac / 347~480Vac
- Output Wattage: 128W Max
- Output Voltage: 130Vdc Max
- Output Current: 850mA Max
- Power Factor: 0.93
- THD: 17% MAX
- Dimming: 0-10V Dim to Off
- AUX Output: 12Vdc
- MAX Temp: 90°C



WPA SERIES SELECTABLE FULL CUTOFF WALL PACK

EMB SPECIFICATION

CONSTRUCTION

Red Metal Casing with separate external battery with quick connector.

ELECTRICAL

Universal Input: 100 ~ 347V AC, 50/60Hz

Input Current: 150mA

Recharge Power: 10W

Output Voltage: 170V DC

Surge Protection: Line-Neutral 3KV

Emergency Power: 8W / 18W

Standard Operating Temperature: **EMB-8W-B / EMB-18W-B:** 5°C ~ 50°C (41°F ~ 122°F) / **EMB-18W-C-B:** -20°C ~ 50°C (-4°F ~ 122°F)

Recharge Time: 24 Hours

Discharge Time: 90 Mins

Smart battery built-in over temperature, over charge, over discharge protections.



Self Diagnostic Li-ion Battery

The integrated Self-Diagnostic circuitry will automatically conduct monthly 30-second and annual 90-minute tests to verify proper emergency capability per Life Safety Code requirements.

NFPA 101, Life Safety Code Outlines the following schedule:

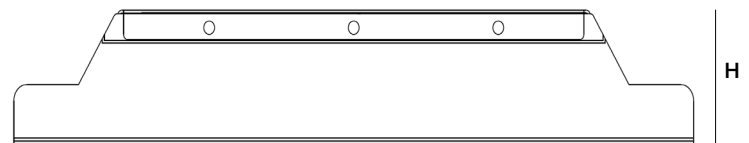
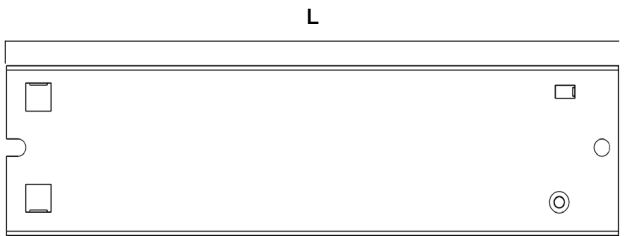
Monthly- During AC mode, the system conducts a (30)seconds self-discharge test of the emergency led driver every 30 days. And automatically restore to normal charging after (30)seconds dis-charged.

Annually- During AC mode, the system conducts a (90)minutes self-discharge test of the emergency led driver every 365 days. And automatically restore to normal charging after fully dis-charged.

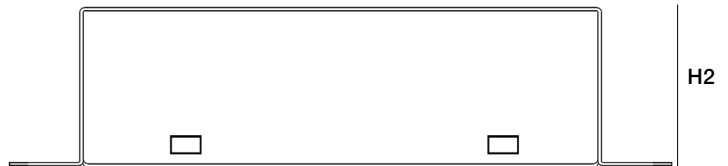
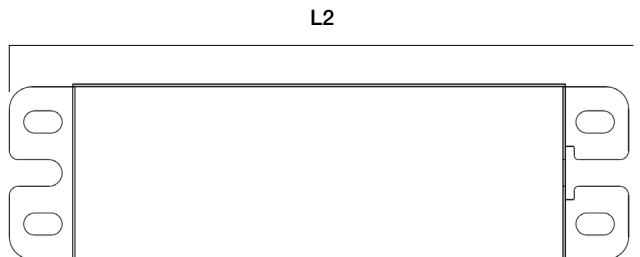
DIMENSIONS

| MODEL | L | L2 | W | W2 | H | H2 |
|-------------|---------------|---------------|--------------|--------------|--------------|--------------|
| EMB-8W-B | 7.32" (186mm) | 4.25" (108mm) | 1.50" (38mm) | 1.63" (42mm) | 0.99" (25mm) | 0.99" (25mm) |
| EMB-18W-B | 7.32" (186mm) | 7.07" (179mm) | 1.50" (38mm) | 1.63" (42mm) | 0.99" (25mm) | 0.99" (25mm) |
| EMB-18W-C-B | 7.32" (186mm) | 7.07" (179mm) | 1.50" (38mm) | 2.27" (58mm) | 0.99" (25mm) | 1.29" (33mm) |

DRIVER



BATTERY



WPA SERIES SELECTABLE FULL CUTOFF WALL PACK

CONTROL-LVFA SPEC

Status LEDs & Config Button

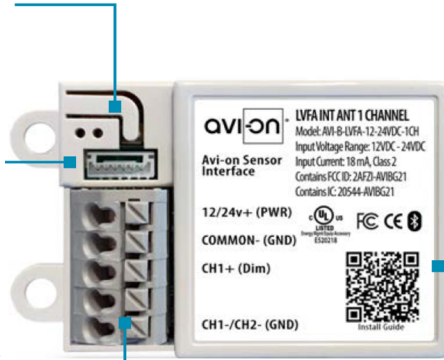
Quick and easy validation of wiring and network

Direct Connect™ Sensor Port

Simple and cost-effective addition to Avi-on sensors

Terminal Blocks & Mounting Tabs

Faster, easier and lower cost installation eliminating connectors



Internal Antenna

Improved performance and eliminates risk of accidentally cutting a hanging wire

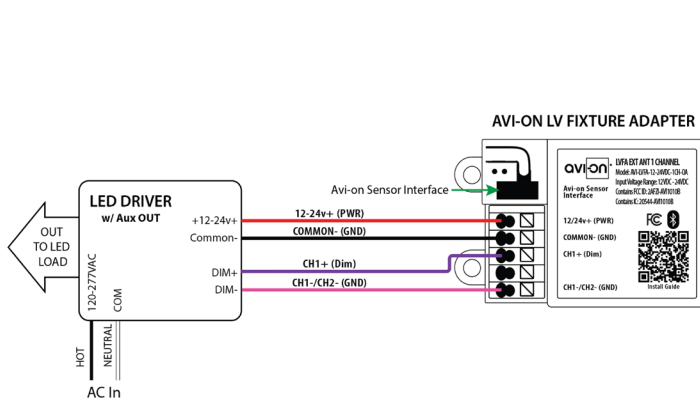
SPECIFICATIONS

INPUT VOLTAGE: 12-24VDC
CURRENT: 15mA without a Sensor
 19mA with a DC PIR Sensor
 48mA with a DC Microwave Sensor
0-10V DIMMING: 12-24VDC
SIZE: 2.30in x 1.43in x 0.75in
 (58.2mm x 36.4mm x 19mm)
MOUNTING: Removable mounting tabs
WEIGHT: 0.45 oz (16g)
OPERATING TEMP: -22°F to +158°F (-30°C to + 70°C)

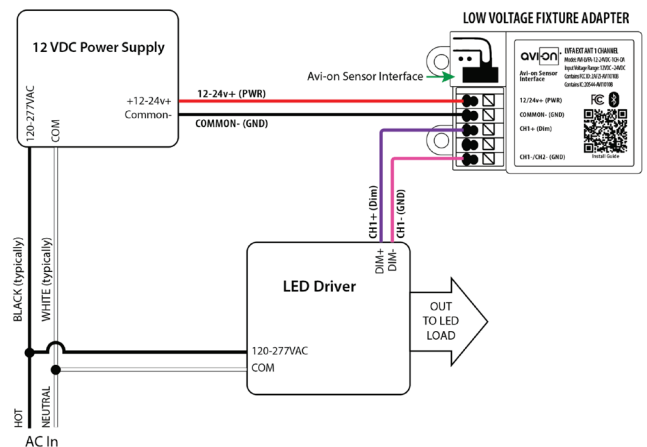
RADIO FREQUENCY: 2.4GHz
WIRELESS STANDARD: BLE 4.2 with Mesh
POINT TO POINT RANGE*: 80ft with obstructions
 350ft unobstructed
SECURITY: AES 128-bit encryption for device to device communication
 AES 256-bit encryption for device to cloud communication
WARRANTY: 5 years; 10 years optional
REGULATORY: FCC: 2AFZI-AVI1010 B
 IC: 20544-AVI1010 B
 BQB: D031801, DID: 86303
 UL 916, 2043 (Plenum Rated)

*When communicating through the mesh, range is essentially unlimited (5000ft+)

WIRING DIAGRAM



Fixture adapter powered by LED driver auxiliary output



Fixture adapter connected to LED driver and using power supply

FEATURE

- **Installation:** Factory Install - Sensor integral to fixture, lens external
- **Commissioning:** Wirelessly through ALS Control Mobile App (iOS / Android)
- **Certification:** DLC 5.1 Networked Lighting Control System
- **Control:** Hold time, High-Low setting, continuous Bi-level dimming, manual/auto - on/off
- **Sensor:** Motion (Occupancy/Vacancy/Manual) and Daylight
- **Zone Control:** Zoning and Grouping control, Scheduling

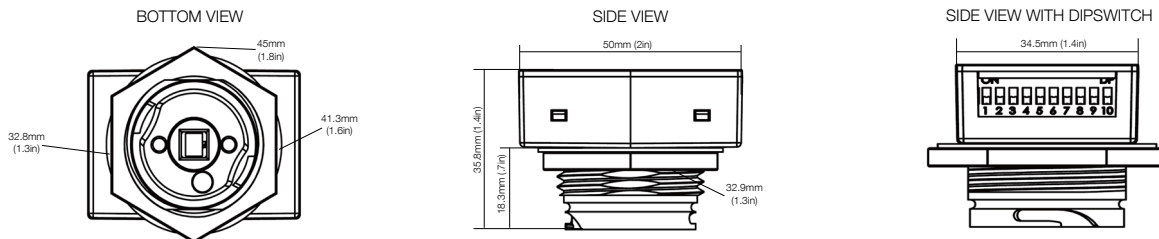


SPECIFICATIONS

SENSOR TYPE: Passive Infrared Sensor (PIR)
WIRELESS STANDARDS: Bluetooth SIG Mesh
INPUT VOLTAGE: 12-24VDC, >50mA
CONTROL OUTPUT: 0-10V
OPERATING TEMP: -40°F ~ +158°F (-40°C ~ +70°C)

COMMISSIONING RANGE: 50FT
BLUETOOTH RANGE: Integral antenna up to 100FT
DETECTION ANGLE: Vertical 90° x Horizontal 360°
MOUNTING HEIGHT: 8 - 40FT
WARRANTY: 5 years
IP RATING: IP65

DIMENSIONS



COVERAGE PATTERNS

