



BL SERIES BOLLARD

Client:
Project:
Type:
Quantity:

CONSTRUCTION

Single round extruded aluminum shaft with thick side walls for excellent durability, features a sleek, modern design and carefully engineered to provide long-lasting, energy-efficient lighting. Die-cast aluminum mounting base allows for easy leveling even in sloped locations and a full 360-degree rotation for precise alignment during installation.

OPTICS

Frosted Polycarbonate lens, efficacy higher than 115 lm/W.

ELECTRICAL

-40°C up to 40°C (-40°F up to 113°F) maximum operating temperature.
Designed for an expected life > 50,000 hours.
CCT selectable light engine 3000K ~ 5000K.
>.9 power factor, 50/60Hz, <20% THD.
Driver operates at 120-277V input, 0-10V dimmable driver, down to 10%.
Optional 10kV surge protection.

CONTROL (OPTIONAL)

CONTROL-AVI-LVFA AVI-ON Bluetooth Mesh Controller.

STANDARD FINISH

Corrosion resistant Dark Bronze powder coating finish.

CUSTOM FINISH

Corrosion resistant Black, Graphite Metallic, Gray, Silver, White, Custom RAL#.

CERTIFICATION

Meets Buy America Act requirements.
Wet location label standard.
IDA compliant: with 3000K color temperature selection.
All luminaires are built to UL1598 standards and bear appropriate cULus labels.
For Emergency application, equipment with UL924 certified battery packs.
DLC® Premium (DesignLights Consortium Qualified)

WARRANTY

5 year warranty, see Limited Warranty for additional information.



SHIPPING DATA

Product	Measurement	Weight
BL-26	46"L x 11"W x 11"H	17 lb



BL SERIES BOLLARD

ORDER INFORMATION **EXAMPLE : BL 26 SC DB UD**

Fixture	Series	Power & LM	CCT	Finish	Input
---------	--------	------------	-----	--------	-------

BL

Accessories
Options

A SERIES

BL	Bollard
----	---------

B POWER & LM

Code	Power	LM
26	26W	3100lm

C CCT

SC	Field Selectable 3000K / 4000K / 5000K
----	--

D FINISH

Standard

DB	Dark Bronze
----	-------------

Custom Color

CC	BK	Black	GM	Graphite Metallic	GR	Gray
	SV	Silver	WH	White	RAL#	

E INPUT

UD	120-277V, 1-10V Dimmable
----	--------------------------

F ACCESSORIES/OPTIONS

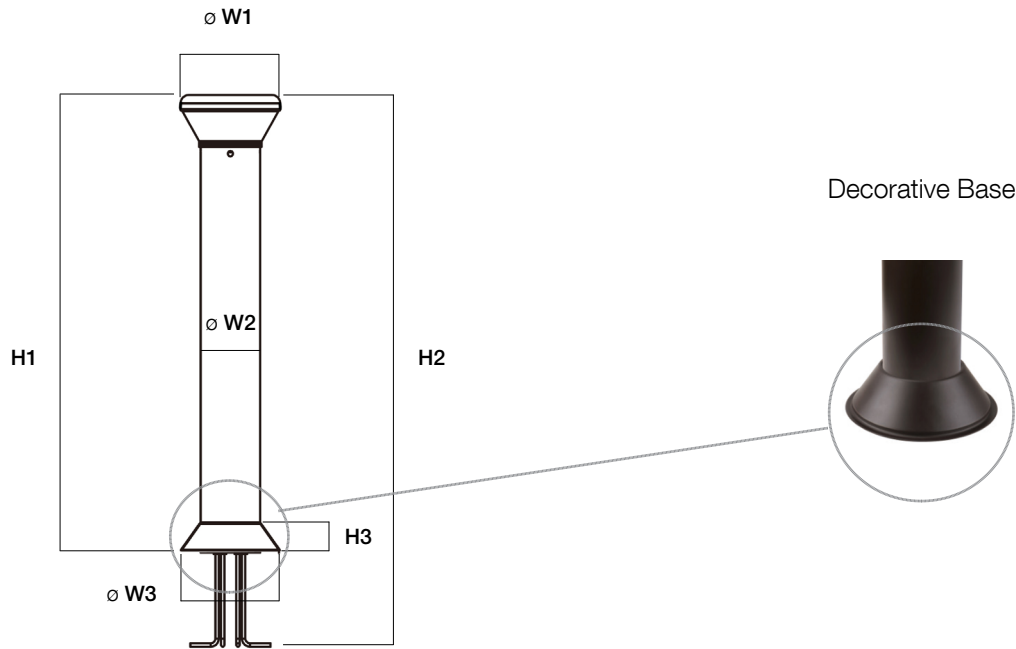
AIA	Assembled in America, compliant with BAA (COTS)
BL-BASE	Decorative Base
EMB-8W*	Integral Emergency Battery
MOUNT-BL-BOLT	Extra Anchor Bolts Set
SURGE-LSP4-U	10kV inline Surge Protection for Universal input
CONTROL-LVFA*	AVI-ON Bluetooth Mesh Control System

*see page 5 for CONTROL and emb spec

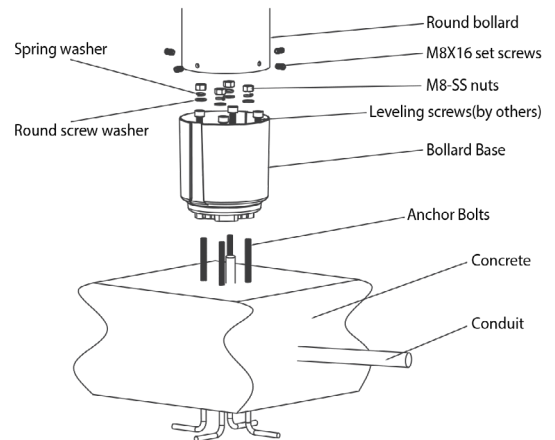
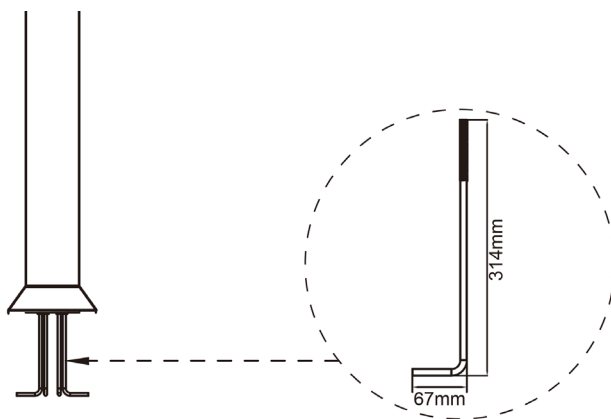
BL SERIES BOLLARD

DIMENSIONS

Model	W1	W2	W3	H1	H2	H3
BL-26	∅ 9.28" (∅236mm)	∅ 5.50" (∅140mm)		42.00" (1067mm)	50.62" (1286mm)	
BL-BASE		∅ 5.50" (∅140mm)	∅ 11.02" (∅280mm)			3.15" (80mm)



INSTALLATION INFORMATION





BL SERIES BOLLARD

PERFORMANCE DATA

SYSTEM WATTS	VOLTAGE	3000K / 4000K (80CRI)		5000K (80CRI)	
		LUMENS	LPW	LUMENS	LPW
26W	120-277V	3000	115	3100	119

SENSOR SPEC

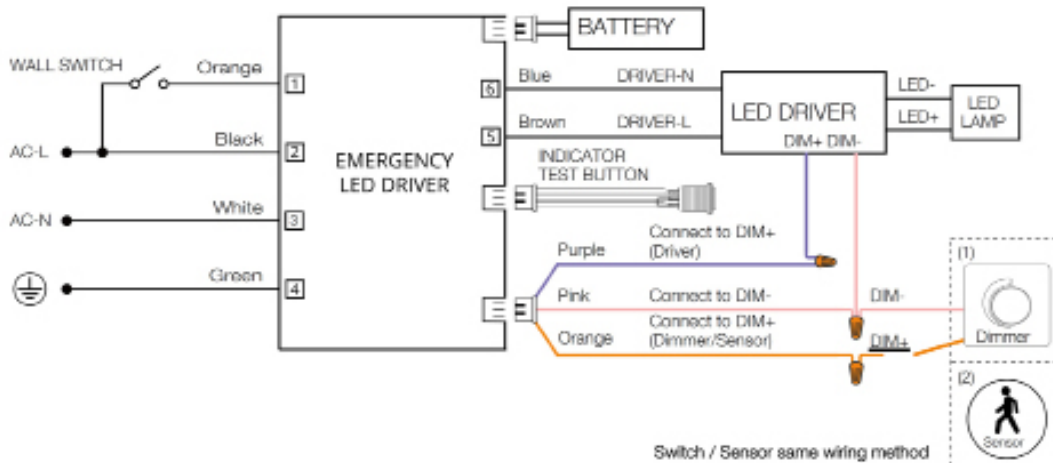
Model	Type	Mounting	Coverage	Input	Function	Programmable
CONTROL-AVI-LVFA (see page 6 for detail)	Fixture Controller	-	-	12V DC	Bluetooth Mesh On/Off/Dimming Scheduling	AVI-ON Bluetooth Mobile App



CONTROL-AVI-LVFA

EMB SPEC

Model	Compatible Fixture	Battery Capacity	Input	Output	Output Power	Operating Temp	Installation
EMB-8W	BL	90mins	100-347VAC	170VDC	8W	0°C ~ 50°C 32°F ~ 122°F	Factory or Field Install



CONTROL-AVI-LVFA SPEC

Status LEDs & Config Button

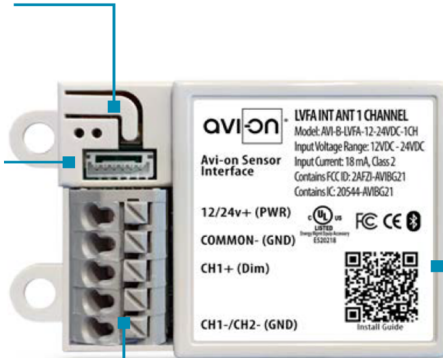
Quick and easy validation of wiring and network

Direct Connect™ Sensor Port

Simple and cost-effective addition to Avi-on sensors

Terminal Blocks & Mounting Tabs

Faster, easier and lower cost installation eliminating connectors



Internal Antenna

Improved performance and eliminates risk of accidentally cutting a hanging wire

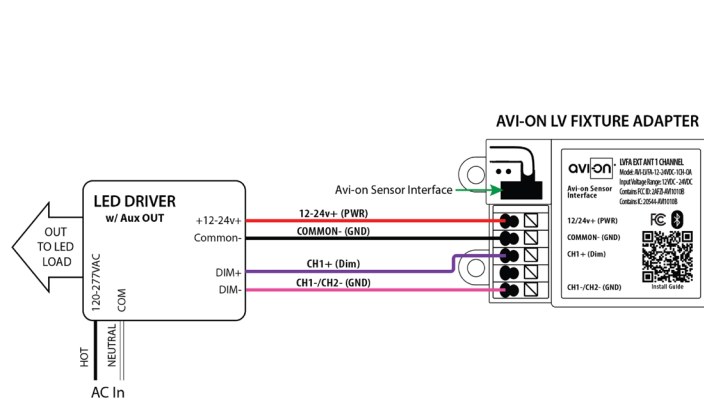
SPECIFICATIONS

INPUT VOLTAGE: 12-24VDC
CURRENT: 15mA without a Sensor
 19mA with a DC PIR Sensor
 48mA with a DC Microwave Sensor
0-10V DIMMING: 12-24VDC
SIZE: 2.30in x 1.43in x 0.75in
 (58.2mm x 36.4mm x 19mm)
MOUNTING: Removable mounting tabs
WEIGHT: 0.45 oz (16g)
OPERATING TEMP: -22°F to +158°F (-30°C to + 70°C)

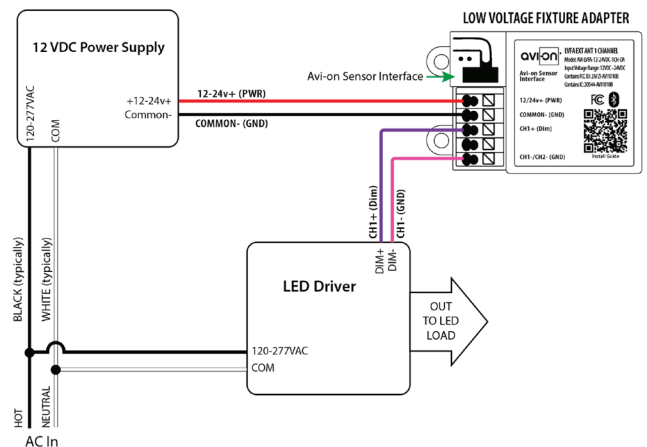
RADIO FREQUENCY: 2.4GHz
WIRELESS STANDARD: BLE 4.2 with Mesh
POINT TO POINT RANGE*: 80ft with obstructions
 350ft unobstructed
SECURITY: AES 128-bit encryption for device to device communication
 AES 256-bit encryption for device to cloud communication
WARRANTY: 5 years; 10 years optional
REGULATORY: FCC: 2AFZI-AVI1010 B
 IC: 20544-AVI1010 B
 BQB: D031801, DID: 86303
 UL 916, 2043 (Plenum Rated)

*When communicating through the mesh, range is essentially unlimited (5000ft+)

WIRING DIAGRAM



Fixture adapter powered by LED driver auxiliary output



Fixture adapter connected to LED driver and using power supply