

CONTRACTOR SERIES LINEAR STRIP

CONSTRUCTION

Slim compact design channel formed from cold-rolled 22-gauge steel with matte White finish. 1/2" knockout made on end cap for sensor or surface conduit mount.

OPTICS

End-to-end U-shaped frosted polycarbonate (PC) lens standard.

ELECTRICAL

Delivered 130lm/W efficacy LEDs offer 80+ color rendering index (CRI), L70 >100,000 hours expected life.

-40°C up to 50°C (-40°F up to 122°F) maximum operating temperature.

Selectable lumen and CCT technology allows easy field-adjustable capability.

Luminaire ships with maximum output and 4000K CCT setting.

Driver operates at 120-277V input, 0-10V dimmable driver, dimmable down to 10%.

Optional 10kV surge protector.

MOUNTING

Designed for direct wiring, surface mountable underneath electrical box.

5" OD beauty ring included.

SENSORS (OPTIONAL)

SENSOR-819-O1 End mount on/off motion sensor with lowbay lens.

SENSOR-819-D1 End mount on/off/dimming and photocell sensor with lowbay lens.

SENSOR-BLE-819 End mount ALS CONTROL bluetooth on/off motion sensor lowbay lens.

SENSOR-BLE-7 Integral Microwave Bluetooth Wireless Motion/on/off/dimming/photosensing.

SENSOR-ANT-3C-B1 Integral Microwave Motion/on/off/dimming/photosensing.

CONTROL-LVFA AVI-ON Bluetooth Mesh Controller.

STANDARD FINISH

Semi-gloss White finish, suitable for damp location.

CERTIFICATION

Damp location label standard.

All luminaires are built to UL1598 standards and bear appropriate cULus labels.

For Emergency application, equipment with UL924 certified battery packs.

DLC® Standard (DesignLights Consortium Qualified).

WARRANTY

5 year warranty, see Limited Warranty for additional information.



CONTRACTOR SERIES LINEAR STRIP

ORDER INFORMATION **EXAMPLE: CSL 4SMC WH UD**

Fixture	Series	Size	Finish	Input
	CSL	4SMC	WH	UD

Accessories
Options

A SERIES

CSL	Contractor Series - Linear Strip
------------	----------------------------------

B SIZE

Code	Size	Power	CCT
4SMC	4-Foot	34W / 38W / 45W	3500K / 4000K / 5000K
8SMC	8-Foot	65W / 75W / 90W	3500K / 4000K / 5000K

C FINISH

WH	White
-----------	-------

D INPUT

UD	120-277V, 0-10V Dimmable
-----------	--------------------------

E ACCESSORIES/OPTIONS

SURGE-LSP4-U	10kV Inline Surge Protection for Universal Input / U: 120-277V
MOUNT-HIGHBAY-CK	Aircraft Cable Hanger Kit (Pair)
SENSOR-819-O1	End mount on/off motion sensor with lowbay lens
SENSOR-819-D1*	End Mount On/Off/Dimming and Photocell Sensor With Lowbay Lens
REMOTE-RC100	Handheld Remote Commissioning Tool for SENSOR-819-D1 Only
SENSOR-BLE-819-L1*	End Mount PIR Bluetooth Daylight Harvesting Sensor (ALS Control Mobile App) / L1: up to 20FT
SENSOR-BLE-7*	Integral Microwave Bluetooth Wireless Bi-Level Motion Sensor (ALS Control Mobile App)
SENSOR-ANT-3C-B1*	Integral Microwave Bi-Level Motion Sensor
CONTROL-LVFA*	AVI-ON Bluetooth Mesh Control System
EMB-8W-B*	High Voltage Output Smart Emergency Battery 8W 100-347VAC Input 170VDC Output
-CORD	18-3 300V 6 Foot Cord
-PLUG	18-3 300V 6 Foot and 3 Prong Plug

*see page 5 for sensor spec

**see page 6 for emb spec

CONTRACTOR SERIES LINEAR STRIP

DIMENSIONS

Model	L	W	H
CSL-4S	48.00" (1219mm)	2.00" (48mm)	2.50" (64mm)
CSL-8S	95.00" (2438mm)	2.00" (48mm)	2.50" (64mm)



CONTRACTOR SERIES LINEAR STRIP

PERFORMANCE DATA

SYSTEM WATTS	SIZE	VOLTAGE	3500K		4000K		5000K	
			LUMEN	LPW	LUMEN	LPW	LUMEN	LPW
34W	4-Foot	120-277V	4,420	130	4,454	131	4,488	132
38W	4-Foot	120-277V	4,940	130	4,978	131	5,016	132
45W	4-Foot	120-277V	5,850	130	5,895	131	5,940	132
65W	8-Foot	120-277V	8,450	130	8,515	131	8,580	132
75W	8-Foot	120-277V	9,750	130	9,825	131	9,900	132
90W	8-Foot	120-277V	11,700	130	11,790	131	11,880	132

DLC CODE

Part Number	DLC Product ID	DLC Class
CSL-4SMC-WHUD	S-VVJYS4	Standard
CSL-8SMC-WHUD	Linear: S-M9BM7Z / HighBay: S-7S7LBB	Standard

CONTRACTOR SERIES LINEAR STRIP

SENSOR SPEC

Model	Type	Mounting	Coverage	Input	Function	Programmable
SENSOR-819-O1	PIR	20FT	30FT radius	Universal	On/Off	-
SENSOR-819-D1	PIR	20FT	30FT radius	Universal	On/Off/Dimming	REMOTE-RC100
SENSOR-BLE-819 (see page 8 for detail)	PIR	L1 - 20FT	30FT radius	Universal	Bluetooth Mesh On/Off/Dimming Daylight Harvesting	ALS Control Bluetooth Mobile App
SENSOR-BLE-7 (see page 9 for detail)	Microwave	up to 13FT	17FT radius	12V DC	Bluetooth Mesh On/Off/Dimming Motion Daylight Sensing	ALS Control Bluetooth Mobile App
SENSOR-ANT-3C-B1	Microwave	up to 12FT	12FT radius	10V DC	On/Off/Dimming Motion Daylight Sensing	REMOTE-RC100
CONTROL-LVFA (see page 7 for detail)	Fixture Controller	-	-	12V DC	Bluetooth Mesh On/Off/Dimming Scheduling	AVI-ON Bluetooth Mobile App



SENSOR-819-XX
 SENSOR-BLE-819



SENSOR-BLE-7



SENSOR-ANT-3C-B1

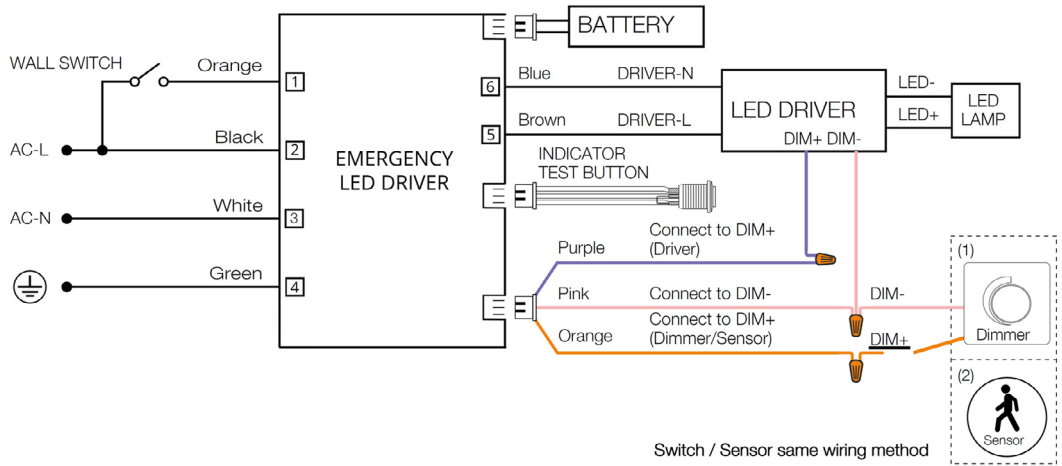


CONTROL-LVFA

CONTRACTOR SERIES LINEAR STRIP

EMB SPEC

Model	Battery Capacity	Input	Output	Output Power	Operating Temp	Installation
EMB-8W-B	90mins	100-347VAC	170VDC	8W	0°C ~ 50°C 32°F ~ 122°F	Factory or Field Install



CONTRACTOR SERIES LINEAR STRIP

CONTROL-LVFA SPEC

Status LEDs & Config Button

Quick and easy validation of wiring and network

Direct Connect™ Sensor Port

Simple and cost-effective addition to Avi-on sensors

Terminal Blocks & Mounting Tabs

Faster, easier and lower cost installation eliminating connectors



Internal Antenna

Improved performance and eliminates risk of accidentally cutting a hanging wire

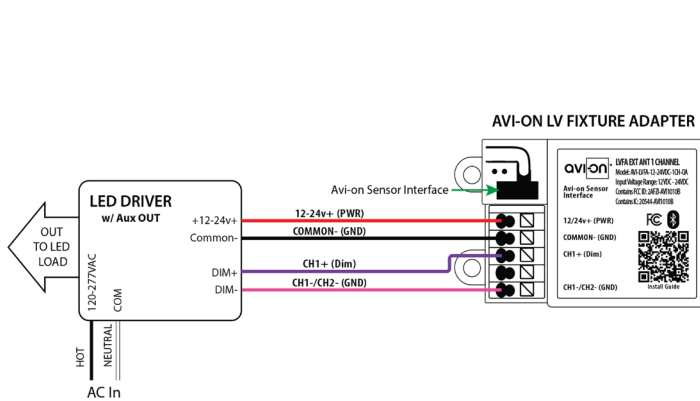
SPECIFICATIONS

INPUT VOLTAGE: 12-24VDC
CURRENT: 15mA without a Sensor
 19mA with a DC PIR Sensor
 48mA with a DC Microwave Sensor
0-10V DIMMING: 12-24VDC
SIZE: 2.30in x 1.43in x 0.75in
 (58.2mm x 36.4mm x 19mm)
MOUNTING: Removable mounting tabs
WEIGHT: 0.45 oz (16g)
OPERATING TEMP: -22°F to +158°F (-30°C to + 70°C)

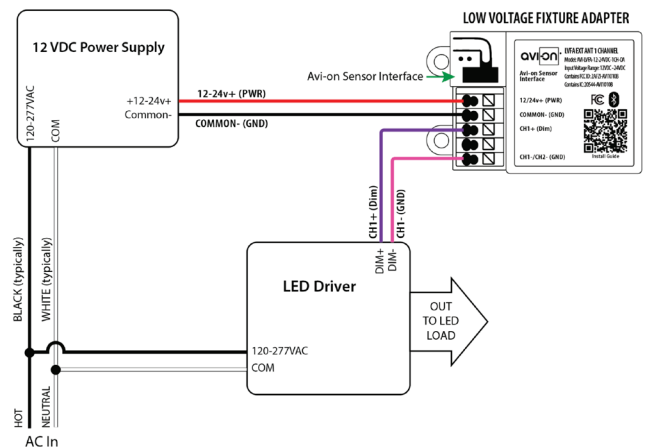
RADIO FREQUENCY: 2.4GHz
WIRELESS STANDARD: BLE 4.2 with Mesh
POINT TO POINT RANGE*: 80ft with obstructions
 350ft unobstructed
SECURITY: AES 128-bit encryption for device to device communication
 AES 256-bit encryption for device to cloud communication
WARRANTY: 5 years; 10 years optional
REGULATORY: FCC: 2AFZI-AVI1010 B
 IC: 20544-AVI1010 B
 BQB: D031801, DID: 86303
 UL 916, 2043 (Plenum Rated)

*When communicating through the mesh, range is essentially unlimited (5000ft+)

WIRING DIAGRAM



Fixture adapter powered by LED driver auxiliary output



Fixture adapter connected to LED driver and using power supply

FEATURE

- **Installation:** Factory or Field Install End Mount to Fixture
- **Commissioning:** Wirelessly through ALS Control Mobile App (iOS / Android)
- **Certification:** DLC 5.1 Networked Lighting Control System
- **Control:** Hold time, High-Low setting, continuous Bi-level dimming, Code-compliant manual-on or auto-off capability
- **Sensor:** Motion (Occupancy/Vacancy/Manual) and Daylight Harvesting
- **Room and Zone Control:** Zoning and Grouping control, Scheduling

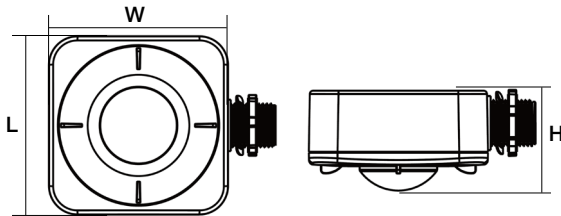


SPECIFICATIONS

SENSOR TYPE: Passive Infrared Sensor (PIR)
WIRELESS STANDARDS: Bluetooth SIG Mesh
INPUT VOLTAGE: 120/277VAC
CONTROL OUTPUT: 0-10V
OPERATING TEMP: -40°F ~ +167°F (-40°C ~ +75°C)

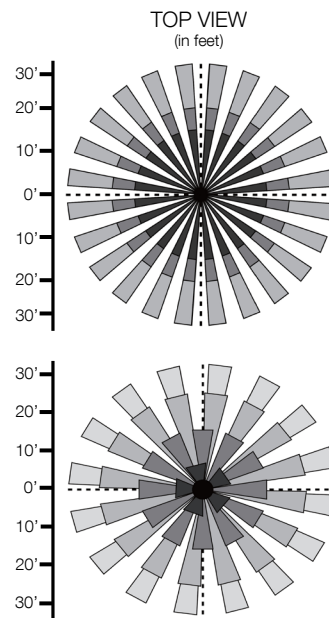
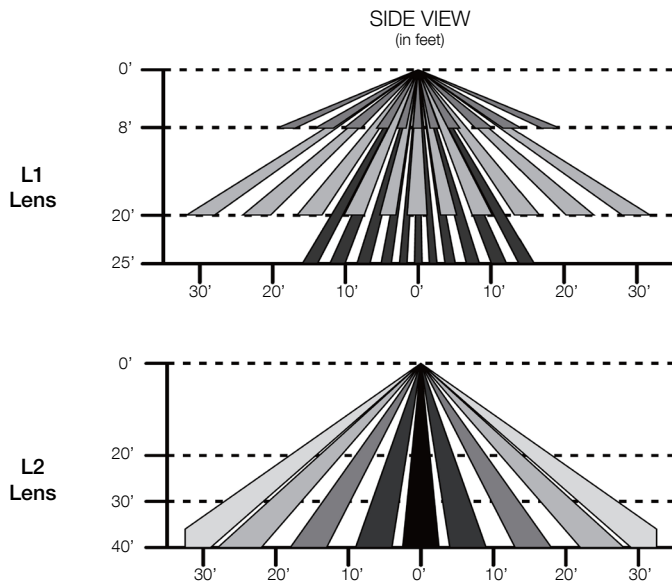
COMMISSIONING RANGE: 50FT
BLUETOOTH RANGE: Intergral antenna up to 100FT
DETECTION ANGLE: Vertical 90° x Horizontal 360°
MOUNTING HEIGHT: 8 - 40FT
WARRANTY: 5 years
IP RATING: IP20 Damp

DIMENSIONS



L	W	H
3.19" (81mm)	4.02" (102mm)	1.70" (43.3mm)

COVERAGE PATTERNS



FEATURE

- **Installation:** Factory Install - Integral to Fixture
- **Commissioning:** Wirelessly through ALS Control Mobile App (iOS / Android)
- **Certification:** DLC 5.1 Networked Lighting Control System
- **Control:** Hold time, High-Low setting, continuous Bi-level dimming, Code-compliant manual-on or auto-off capability
- **Sensor:** Motion (Occupancy/Vacancy/Manual)
- **Room and Zone Control:** Zoning and Grouping control, Scheduling

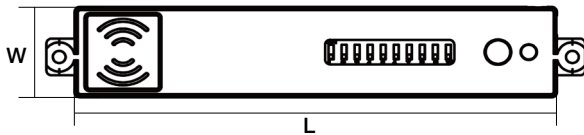


SPECIFICATIONS

SENSOR TYPE: Microwave
WIRELESS STANDARDS: Bluetooth SIG Mesh
INPUT VOLTAGE: 10-14VDC, >50mA
CONTROL OUTPUT: 0-10V
OPERATING TEMP: -40°F ~ +158°F (-40°C ~ +70°C)

COMMISSIONING RANGE: 50FT
BLUETOOTH RANGE: Integral antenna up to 164FT
DETECTION ANGLE: 360°
MOUNTING HEIGHT: Up to 13FT
WARRANTY: 5 years
IP RATING: IP20

DIMENSIONS



L	W
3.70" (94mm)	0.73" (18.5mm)

COVERAGE PATTERNS

