

**FD4 SERIES FLOODLIGHT**

Client:  
 Project:  
 Type:  
 Quantity:

**CONSTRUCTION**

Rugged die-cast aluminum housing with hinged, die-cast aluminum door.  
 Low profile, 3G vibration rated compact design minimizes wind load requirements.  
 Housing is completely sealed against moisture and dusty.

**OPTICS**

UV-resistant polycarbonate optics, available in Type V distribution.  
 Optics is precisely designed to shape the distribution, maximizing efficiency and application spacing.

**ELECTRICAL**

70+ CRI Lumileds LED.  
 -40°C up to 50°C (-40°F up to 122°F) maximum operating temperature.  
 Long-life 120,000 hr LED at L70 @ 40°C.  
 Driver operates at 120-277V input, 0-10V dimmable driver, down to 10%.  
 50/60Hz, <20% THD, 0.9 power factor.  
 Optional 3000K - made to order. Optional 347/480V input. Optional 10kV surge protection.  
 Optional dimming sensor for occupancy and ambient light level detection.

**SENSORS (OPTIONAL)**

SENSOR-BLE-619 Integral PIR ALS Control bluetooth/on/off/dimming/photosensing.  
 SENSOR-823 Integral PIR on/off/dimming/photosensing.  
 SENSOR-820 Integral PIR on/off/dimming/photosensing.  
 SENSOR-PH-PB-U Integral button style photocell.  
 SENSOR-PH-PT-U/UD/HD Twist lock dimming/non-dimming photocontrol.  
 CONTROL-AVI-LVFA AVI-ON Bluetooth Mesh Controller.

**MOUNTING**

Standard slipfitter for 2-3/8" tenon (SF) and adjustable trunnion mount (TR).  
 Optional tilt-able pole mount bracket (SRT).

**STANDARD FINISH**

Corrosion resistant Dark Bronze powder coating finish.

**CUSTOM FINISH**

Corrosion resistant Black, Graphite Metallic, Gray, Silver, White, Custom RAL#.

**CERTIFICATION**

IP65 Wet location label standard.  
 Meets Buy America Act requirements.  
 IDA compliant: with 3000K color temperature selection.  
 Title 24 compliant; see local ordinance for qualification information.  
 All luminaires are built to UL1598 standards and bear appropriate cULus labels.  
 DLC® Premium (DesignLights Consortium Qualified) listed.

**WARRANTY**

5 year warranty, see Limited Warranty for additional information.



Slipfitter



w/Trunnion

**SHIPPING DATA**

Product	Measurement	Weight
FD4-100	14"L x 11"W x 3"H	9 lb
FD4-150/180	15"L x 12"W x 3"H	9 lb
FD4-250/300	24"L x 13"W x 3"H	17 lb



**FD4 SERIES FLOODLIGHT**

**ORDER INFORMATION** **EXAMPLE : FD4 100 40 T5 DB UNVD**

Fixture	Series	Power & LM	CCT	Distribution	Finish	Input
	<b>FD4</b>					

**A SERIES**

<b>FD4</b>	Flood Light
------------	-------------

**B POWER & LM**

Code	Power	LM	Code	Power	LM
<b>100</b>	100W	14,200	<b>250</b>	250W	35,000
<b>150</b>	150W	21,000	<b>300</b>	300W	42,000
<b>180</b>	180W	25,000			

**C CCT**

<b>30*</b>	3000K	<b>50</b>	5000K
<b>40</b>	4000K	*Made to order consult factory for lead time	

**D DISTRIBUTION**

<b>T5</b>	Type V
-----------	--------

**E FINISH**

Standard						
<b>DB</b>	Dark Bronze					
Custom Color						
<b>CC</b>	<b>BK</b>	Black	<b>GM</b>	Graphite Metallic	<b>GR</b>	Gray
	<b>SV</b>	Silver	<b>WH</b>	White	<b>RAL#</b>	

**F INPUT**

<b>UNVD</b>	120-277V, 1-10V Dimmable	<b>HVLD</b>	347V, 480V, 1-10V
-------------	--------------------------	-------------	-------------------

**FD4 SERIES FLOODLIGHT**

**ORDER INFORMATION (CONTINUED)**

**Mounting**

**Accessories  
Options**

**G MOUNTING**

<b>MOUNT-FD4-SF</b>	Slipfitter
<b>MOUNT-FD4-TR</b>	Trunnion Mount
<b>MOUNT-FD4-SRT</b>	Square/Round Pole Tilt-able

**H ACCESSORIES/OPTIONS**

<b>AIA</b>	Assembled in America, compliant with BAA (COTS)
<b>SHIELD-HSS-FD4*</b>	Houseside Glare Shield <b>A:</b> 100W, <b>B:</b> 150/180W, <b>C:</b> 250/300W
<b>SENSOR-BLE-619-L3 / L4**</b>	Integral PIR Bluetooth Daylight Sensor (ALS Control Mobile App) / <b>L3:</b> up to 40FT, <b>L4:</b> up to 8FT
<b>SENSOR-PH-PB-U**</b>	Button Style Photocell
<b>SENSOR-PH-PT-U / UD / HD**</b>	Twist Lock Photocell / <b>U:</b> 120-277V, <b>UD:</b> 120-277V, <b>HD:</b> 480V input
<b>SENSOR-823-L3 / L4**</b>	Integral PIR on/off/dimming/photosensing / <b>L3:</b> up to 40FT, <b>L4:</b> up to 8FT
<b>SENSOR-820**</b>	Integral PIR on/off/dimming/photosensing
<b>REMOTE-RC100</b>	Handheld Remote Commissioning Tool for SENSOR-823, 820 Series
<b>SURGE-LSP4-U / H</b>	10kV inline Surge Protection for Universal input / <b>U:</b> 120-277V, <b>H:</b> 480V input
<b>CONTROL-AVI-LVFA**</b>	AVI-ON Bluetooth Mesh Control System

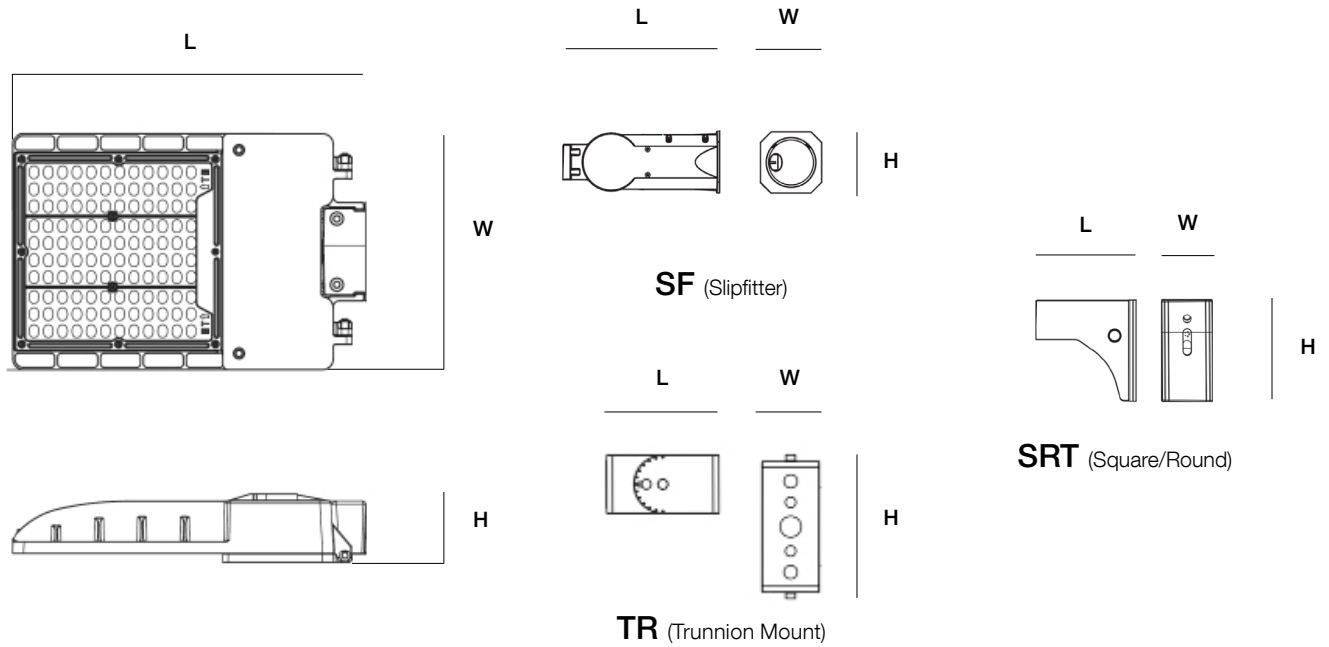
\*see page 5 for shield spec

\*\*see page 7 for sensor spec

**FD4 SERIES FLOODLIGHT**

**DIMENSIONS**

Model	L	W	H
FD4-100	12.63" (321mm)	9.25" (235mm)	2.46" (63mm)
FD4-150 / 180	14.11" (358mm)	11.69" (297mm)	2.46" (63mm)
FD4-250 / 300	23.3" (592mm)	12.23" (311mm)	2.46" (63mm)
Bracket - SF	8.47" (215mm)	3.35" (85mm)	3.35" (85mm)
Bracket - TR	5.37" (137mm)	3.75" (95mm)	2.36" (60mm)
Bracket - SRT	6.95" (176mm)	3.55" (90mm)	6.97" (177mm)



**EPA (ft<sup>2</sup>)**

Mounting Option	Single	2 @ 90°	2 @ 120°	2 @ 180°	3 @ 90°	3 @ 120°	4 @ 90°
100W	0.275	0.527	0.732	0.616	0.958	0.984	0.958
150W / 180W	0.311	0.634	0.646	0.622	0.934	0.970	0.934
250W / 300W	0.410	0.723	0.992	0.886	1.199	1.305	1.197

**SHIELD SPEC**



**SHIELD-FD4-A**  
Matching Finish Metal Houseside Shield

**For FD4-100W (1:1)**



**SHIELD-FD4-B**  
Matching Finish Metal Houseside Shield

**For FD4-150 / 180W (1:1)**



**SHIELD-FD4-C**  
Matching Finish Metal Houseside Shield

**For FD4-250 / 300W (1:1)**

**FD4 SERIES FLOODLIGHT**

**PERFORMANCE DATA**

SYSTEM WATTS	VOLTAGE	DIST.TYPE	3000K		4000K		5000K	
			LUMENS	LPW	LUMENS	LPW	LUMENS	LPW
100W	120-277V	V	14200	142	14200	142	14200	142
150W	120-277V	V	21000	140	21000	140	21000	140
180W	120-277V	V	26000	144	26000	144	26000	144
250W	120-277V	V	36000	144	36000	144	36000	140
300W	120-277V	V	42000	140	42000	140	42000	140

**DLC CODE**

Part Number	DLC Product ID	DLC Class
FD4-100 40 T5 - XX UNVD (UD) / HVL (HD) FD4-100 50 T5 - XX UNVD (UD) / HVL (HD)	PD00ZHF1 / PH35OWD5 PNRG8OP5 / PR2D2SAY	Premium Premium
FD4-150 40 T5 - XX UNVD (UD) / HVL (HD) FD4-150 50 T5 - XX UNVD (UD) / HVL (HD)	PTQ1KQT9 / P3R10X5Z PN2V984O / PMOG95AC	Premium Premium
FD4-180 40 T5 - XX UNVD (UD) / HVL (HD) FD4-180 50 T5 - XX UNVD (UD) / HVL (HD)	Pending Update	Premium Premium
FD4-300 40 T5 - XX UNVD (UD) / HVL (HD) FD4-300 50 T5 - XX UNVD (UD) / HVL (HD)	P1UV56XP / P9JHZ2RX POD8QCH0 / PAYF2RL2	Premium Premium

**FD4 SERIES FLOODLIGHT**

**SENSOR SPEC**

Model	Type	Mounting	Coverage	Input	Function	Programmable
SENSOR-823	PIR	L3 - 40FT L4 - 8FT	30FT radius 24FT radius	Universal	On/Off/Dimming	REMOTE-RC100
SENSOR-820	PIR	up to 40FT	30FT radius	100 ~ 480V	On/Off/Dimming Daylight Harvesting	REMOTE-RC100
SENSOR-PH-PB-U	-	-	-	Universal	Dusk-to-Dawn Control	-
SENSOR-PH-PT-U SENSOR-PH-PT-UD SENSOR-PH-PT-HD	-	-	-	Universal 277 ~ 480V	Dusk-to-Dawn Control	-
CONTROL-AVI-LVFA (see page 8 for detail)	Fixture Controller	-	-	12V DC	Bluetooth Mesh On/Off/Dimming Scheduling	AVI-ON Bluetooth Mobile App
SENSOR-BLE-619 (see page 9 for detail)	PIR	L3 - 40FT L4 - 8FT	30FT radius 24FT radius	12V DC	Bluetooth Mesh On/Off Daylight	ALS Control Bluetooth Mobile App



**FD4 SERIES FLOODLIGHT**

**CONTROL-AVI-LVFA SPEC**

**Status LEDs & Config Button**

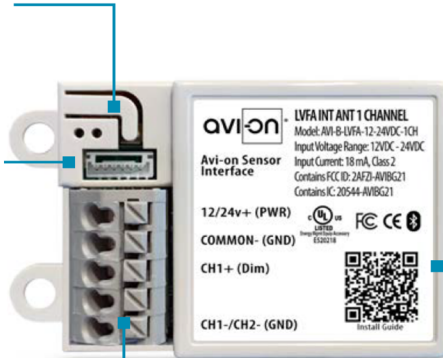
Quick and easy validation of wiring and network

**Direct Connect™ Sensor Port**

Simple and cost-effective addition to Avi-on sensors

**Terminal Blocks & Mounting Tabs**

Faster, easier and lower cost installation eliminating connectors



**Internal Antenna**

Improved performance and eliminates risk of accidentally cutting a hanging wire

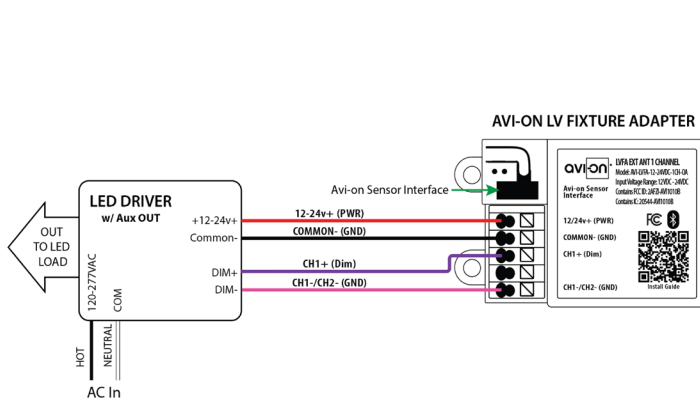
**SPECIFICATIONS**

**INPUT VOLTAGE:** 12-24VDC  
**CURRENT:** 15mA without a Sensor  
 19mA with a DC PIR Sensor  
 48mA with a DC Microwave Sensor  
**0-10V DIMMING:** 12-24VDC  
**SIZE:** 2.30in x 1.43in x 0.75in  
 (58.2mm x 36.4mm x 19mm)  
**MOUNTING:** Removable mounting tabs  
**WEIGHT:** 0.45 oz (16g)  
**OPERATING TEMP:** -22°F to +158°F (-30°C to + 70°C)

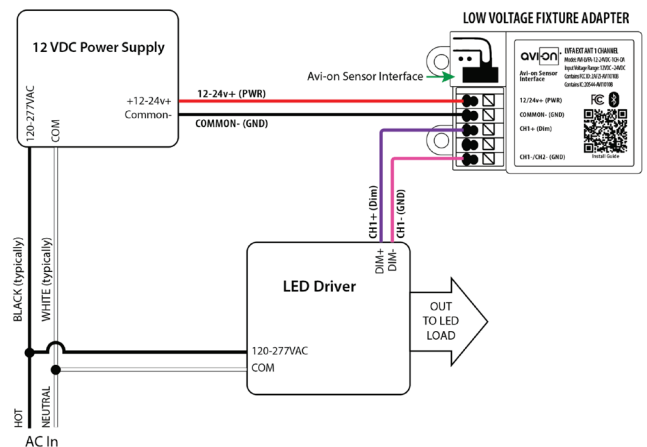
**RADIO FREQUENCY:** 2.4GHz  
**WIRELESS STANDARD:** BLE 4.2 with Mesh  
**POINT TO POINT RANGE\*:** 80ft with obstructions  
 350ft unobstructed  
**SECURITY:** AES 128-bit encryption for device to device communication  
 AES 256-bit encryption for device to cloud communication  
**WARRANTY:** 5 years; 10 years optional  
**REGULATORY:** FCC: 2AFZI-AVI1010 B  
 IC: 20544-AVI1010 B  
 BQB: D031801, DID: 86303  
 UL 916, 2043 (Plenum Rated)

\*When communicating through the mesh, range is essentially unlimited (5000ft+)

**WIRING DIAGRAM**



Fixture adapter powered by LED driver auxiliary output



Fixture adapter connected to LED driver and using power supply



**FEATURE**

- **Installation:** Factory Install - Sensor integral to fixture, lens external
- **Commissioning:** Wirelessly through ALS Control Mobile App (iOS / Android)
- **Certification:** DLC 5.1 Networked Lighting Control System
- **Control:** Hold time, High-Low setting, continuous Bi-level dimming, manual/auto - on/off
- **Sensor:** Motion (Occupancy/Vacancy/Manual) and Daylight
- **Zone Control:** Zoning and Grouping control, Scheduling

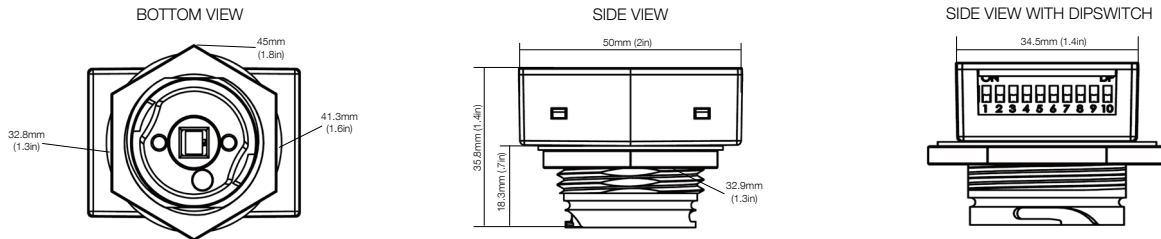


**SPECIFICATIONS**

**SENSOR TYPE:** Passive Infrared Sensor (PIR)  
**WIRELESS STANDARDS:** Bluetooth SIG Mesh  
**INPUT VOLTAGE:** 12-24VDC, >50mA  
**CONTROL OUTPUT:** 0-10V  
**OPERATING TEMP:** -40°F ~ +158°F (-40°C ~ +70°C)

**COMMISSIONING RANGE:** 50FT  
**BLUETOOTH RANGE:** Integral antenna up to 100FT  
**DETECTION ANGLE:** Vertical 90° x Horizontal 360°  
**MOUNTING HEIGHT:** 8 - 40FT  
**WARRANTY:** 5 years  
**IP RATING:** IP65

**DIMENSIONS**



**COVERAGE PATTERNS**

