

PLEASE READ AND FOLLOW ALL SAFETY INSTRUCTIONS**SAVE THIS SHEET****To Avoid Risk of Electric Shock and Injury**

- Never attempt any work on the luminaire unless it is disconnected from the power source.
- Any installation and service of the luminaire should be done by a certified electrician.
- Confirm the supply voltage matches the voltage labeled on the luminaire.
- Make sure all electrical and grounded connections are in accordance with the National Electric Code (NEC) and any local codes.
- Make sure all connections are capped with UL-listed wire connectors.
- Allow luminaire to cool down before handling. Never handle luminaire when it is in use.
- Do not exceed the maximum wattage labeled on luminaire.
- Always wear gloves and safety glasses when installing, handling, or performing routine maintenance on the luminaire.
- Do not look directly at the light source when luminaire is on.

To Avoid Risk of Fire and Product Damage

- Keep any combustible material away from the luminaire.
- Do not operate luminaire near any persons, materials, or substances that are sensitive to heat.
- When mounting, make sure wiring is secured from any edges or objects that can damage the wire insulation.
- Do not obstruct ventilation of the luminaire. Do not cover the luminaire with foam or other insulation material that will restrict convection or conduction cooling.
- Only use luminaire at its intended location.
- LED fixtures are sensitive to polarity. Make sure to identify proper polarity before installing.
- Electrostatic Discharge (or ESD) can damage LED luminaire. Make sure to always wear personal grounding equipment when installing or servicing the luminaire.
- Avoid touching individual electrical components, which can cause ESD and will reduce the life and performance of the luminaire.
- Do not power luminaire on and off frequently as this will greatly reduce luminaire's lifespan.
- Always read the luminaire's complete installation instruction sheet before installing luminaire.
- Always inspect the luminaire for damage. DO NOT INSTALL fixture if there is any damage. Contact your distributor or representative where you purchased the luminaire for warranty claim if luminaire is damaged.

To Maintain Luminaire and Ensure Consistent Performance

- **IMPORTANT: Always make sure luminaire is disconnected from power source when performing routine maintenance.**
- Occasionally clean luminaire lens. When cleaning lens, you may dust with soft, dry and clean cloth. You may also use solution of warm water and non-abrasive cleaning agent then wipe with dry cloth. DO NOT USE alkaline or acid cleaners.
- Keep heatsink clear of dust or debris from time to time.
- Maintaining the luminaire on a routine basis is highly recommended.

Failure to follow any of these instructions may void warranty.

Please visit www.alslighting.us to view complete product Terms and Conditions.

Advantage Lighting Solutions assumes no responsibility for claims arising from improper or careless installation or handling of its products.


Important Safety Instructions

1. Make sure power is turned OFF before installing.
2. Inspect fixture for any damages. If damaged, DO NOT install fixture and contact local ALS distributor immediately.

Installation Instructions

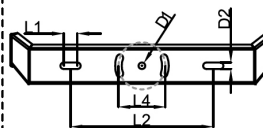
U-Shaped Bracket

01



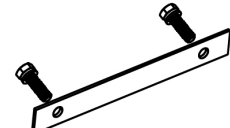
M16x45mm

02

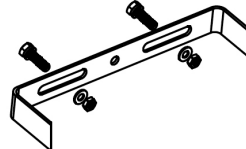


Power	D1	D2	L1	L2	L4
600W	17mm	12.5mm	50mm	350mm	120mm
1200W	17mm	17mm	50mm	350mm	120mm
1800W	17mm	17mm	50mm	350mm	120mm

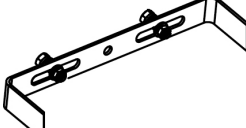
03



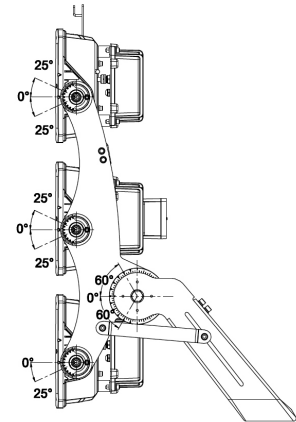
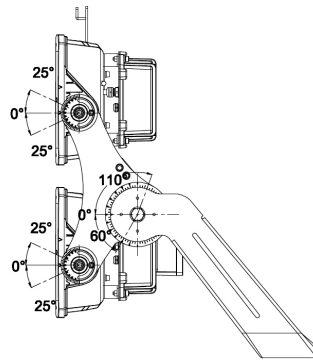
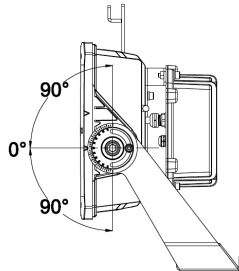
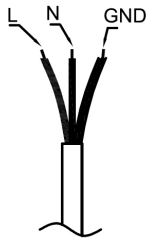
04



05



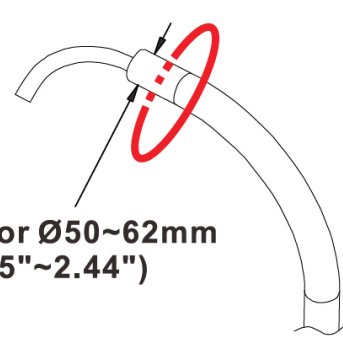
Brown(Black) --- L
Blue(White) --- N
Green/Yellow --- GND



Installation Instructions

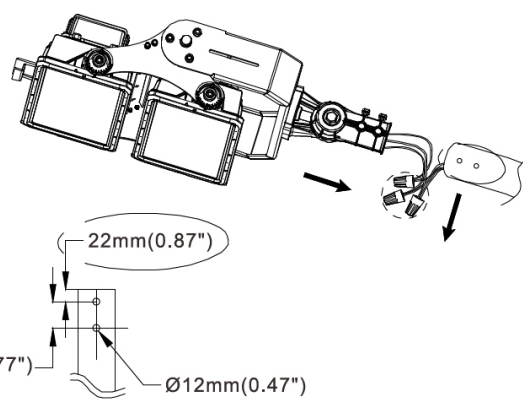
Slipfitter

1

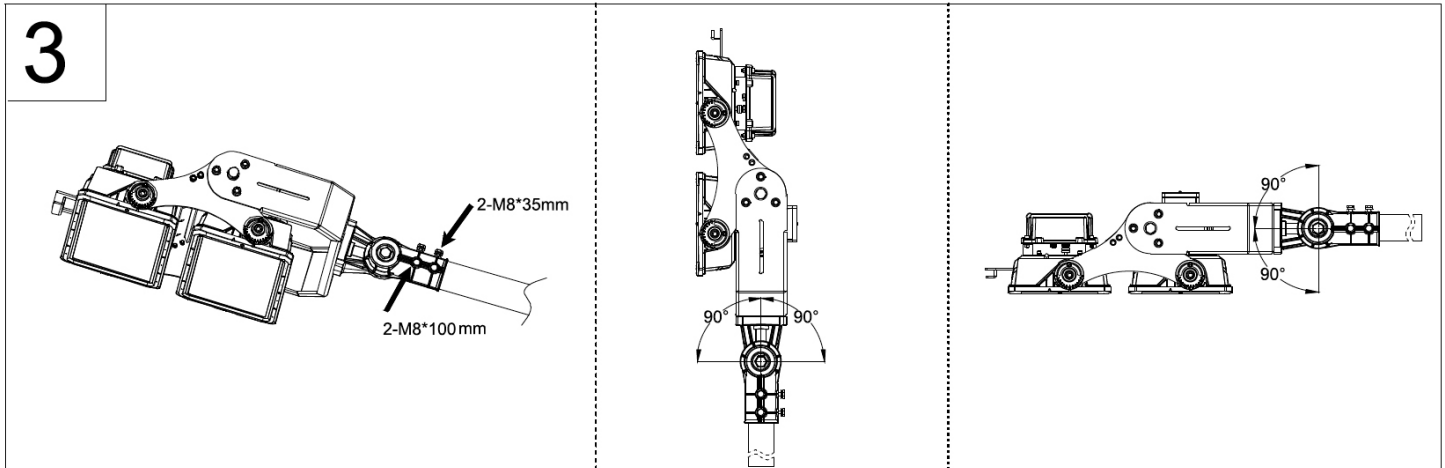


Suit for $\text{Ø}50\sim62\text{mm}$
($\text{Ø}2.05\text{''}\sim2.44\text{''}$)

2



22mm(0.87")
45mm(1.77")
 $\text{Ø}12\text{mm}(0.47\text{'})$



Installation Instructions

1. Install by qualified electricians only.
2. Make sure that the supply voltage is disconnected before installation.
3. Make sure the voltage is suitable with the lamps, and L/N/G connect properly.
4. All the lights during installation or using should not be led's cover vertical upside or Vertical down.
5. Don't open the lamps without Manufacturer's Authorized.

Installation Instructions

Chain (Keep Straight)

