



CPG SERIES FUEL STATION CANOPY

Client:
Project:
Type:
Quantity:

CONSTRUCTION

Rugged die-cast aluminum housing with corrosion resistant powder coat finish.
Heat dissipating fins provide superior thermal performance extending the life of the luminaire.

LED array positioned in insulated housing.

3/4" NPT threaded top wire entry, suitable for surface or pendant installation.

OPTICS

Type V Distribution

Lightly diffused lens for reduced LED pixelation and glare.

ELECTRICAL

80+ CRI Lumileds LED.

-40°C up to 45°C (-40°F up to 113°F) maximum operating temperature

160,000 hr at L70 @ 25°C, 75,000 hr at L70 40°C.

Driver operates at 120-277V input, 50/60Hz.

<20% THD, 0.9 power factor.

CONTROL (OPTIONAL)

CONTROL-XFAC AVI-ON Bluetooth Zone Controller Adapter

MOUNTING

3/4" conduit entry on top for pendant mount.

Surface Mount by screw through 4 corners of fixture body.

STANDARD FINISH

Corrosion resistant White powder coating finish.

CUSTOM FINISH

Corrosion resistant Dark Bronze, Black, Graphite Metallic, Gray, Silver, or custom RAL#.

CERTIFICATION

Meets Buy America Act requirements.

IP66 Wet location label standard.

All luminaires are built to UL1598 standards and bear appropriate cULus labels.

For Emergency application, equipment with UL924 certified battery packs.

DLC® Premium (DesignLights Consortium Qualified)

WARRANTY

5 year warranty, see Limited Warranty for additional information.



SHIPPING DATA

Product	Measurement	Weight
CPG-150	17"L x 17"W x 5"H	15 lb



CPG SERIES FUEL STATION CANOPY

ORDER INFORMATION				EXAMPLE: CPG 150 50 PL SM WH U			
Fixture	Series	Power & LM	CCT	Distribution	Mounting	Finish	Input
	CPG	150	50	PL	SM	WH	U
Accessories Options							

A SERIES

CPG Fuel Station Canopy

B POWER & LM

Code	Power	LM
150	150W	20250

C CCT

50 5000K

D DISTRIBUTION

PL Prismatic Lens

E MOUNTING

SM Surface Mount (3/4" conduit entry on top center)

F FINISH

Standard							
WH	White						
Custom Color							
CC	BK	Black	GM	Graphite Metallic	GR	Gray	
	SV	Silver	DB	Dark Bronze	RAL#		

G INPUT

U 120-277V

H ACCESSORIES/OPTIONS

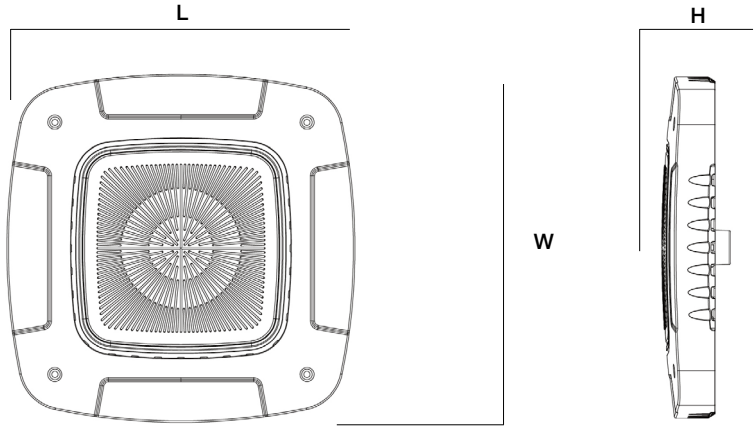
AIA Assembled in America, compliant with BAA (COTS)
 CONTROL-XFAC* AVI-ON Bluetooth Zone Controller Adapter

*see page 4 for sensor spec

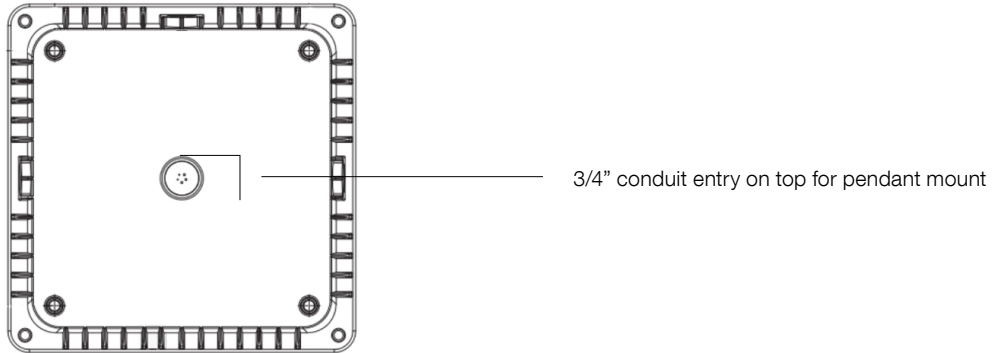
CPG SERIES FUEL STATION CANOPY

DIMENSIONS

Power	L	W	H
150W	15.00" (380mm)	15.00" (380mm)	3.07" (76mm)



MOUNTING OPTIONS



CPG SERIES FUEL STATION CANOPY

SENSOR SPEC

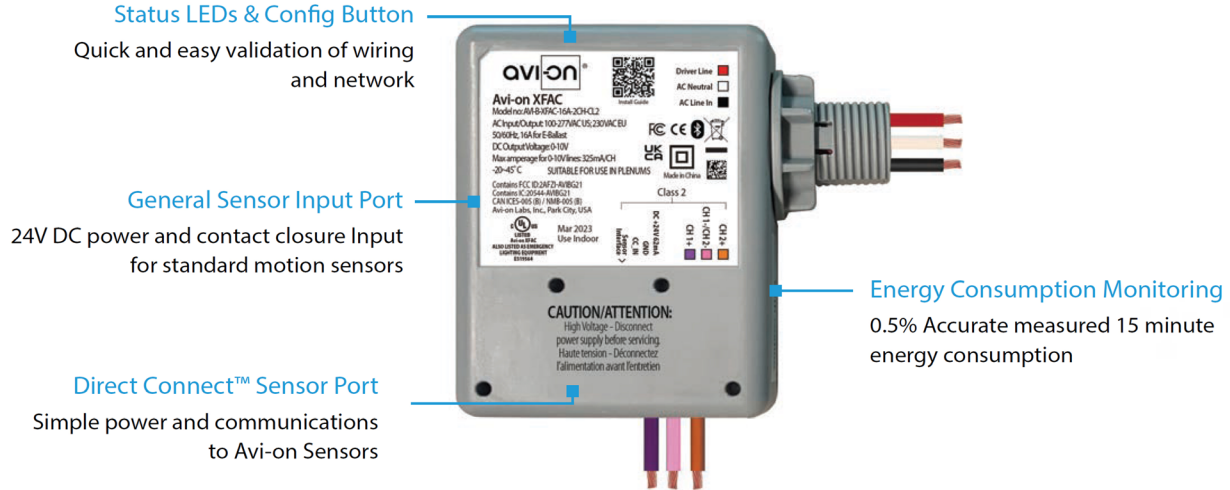
Model	Type	Mounting	Coverage	Input	Function	Programmable
CONTROL-XFAC (see page 5 for detail)	Fixture Controller	-	-	100-277VAC	Bluetooth On/Off/Dimming Scheduling	AVI-ON Bluetooth Mobile App



CONTROL-XFAC

CPG SERIES FUEL STATION CANOPY

CONTROL-XFAC SPEC



SPECIFICATIONS

INPUT VOLTAGE:	100-277VAC	RADIO FREQUENCY:	50/60Hz
CURRENT:	MIN: 20 / 14mA MAX: 81 / 46mA	RELAY CURRENT:	16A
0-10V DIMMING:	100-277VAC	PROTECTION/IMMUNITY:	LEVEL 4
SIZE:	3.58" x 3.58" x 1.57" (91mm x 91mm x 40mm)	AMPERAGE FOR 0-10V LINES:	Contact Discharge: ± 8kV Air Discharge: ±12kV 325mA / CH
STORAGE TEMP:	-40°F to + 185°F (-40°C to + 85°C)	WARRANTY:	5 years
OPERATING TEMP:	-4°F to + 113°F (-20°C to + 45°C)	REGULATORY:	FCC: 2AFZI-AVIBG21 IC: 20544-AVBG21 BQB: D059595, DID: 185220 UL 924, 2043

WIRING DIAGRAM

