



HB2 SERIES SLIM WET LOCATION BAY LIGHT

Client:
Project:
Type:
Quantity:

CONSTRUCTION

Low profile single piece die-cast aluminum housing, thermally separated electronic and LED heat sink design, maximizes heat dissipation and life expectancy of the luminaire.

IP66 rated protection against dust and water.

Suitable for interior/exterior, wet, high pressure hosedown applications.

OPTICS

Frosted scattering diffuser, cuts off glare by 98%, emits soft and direct illumination. Diffuser secured on body protects LED against solid and liquid impact, symmetric LED board layout offers maximum uniformity illumination.

ELECTRICAL

70+ CRI Samsung LED.

-40°C up to 55°C (-40°F up to 131°F) maximum operating temperature.

Long-life 54,000 hr LED at L70.

Driver operates at 120-277V input, 0-10V dimmable driver, down to 10%.

50/60Hz, <20% THD, 0.9 power factor.

Optional 347/480V input.

Optional dimming sensor for occupancy and ambient light level detection.

SENSORS (OPTIONAL)

SENSOR-BLE-619 Integral PIR ALS Control bluetooth/on/off/dimming/photosensing.

SENSOR-823 integral PIR on/off/dimming/photosensing.

SENSOR-820 integral PIR on/off/dimming/photosensing.

CONTROL-AVI-LVFA AVI-ON Bluetooth Mesh Controller.

MOUNTING

Pendant mount 3/4" conduit entry on top of fixture with snap hook.

Optional Yoke mount bracket.

STANDARD FINISH

Corrosion resistant semi-gloss White finish.

CERTIFICATION

Meets Buy America Act requirements.

IP66 Wet location label standard.

All luminaires are built to UL1598 standards and bear appropriate cULus labels.

For Emergency application, equipment with UL924 certified battery packs.

DLC® Premium (DesignLights Consortium Qualified).

WARRANTY

5 year warranty, see Limited Warranty for additional information.



140W / 180W



100W
w/Yoke Bracket & Sensor



140W / 180W
w/Sensor

SHIPPING DATA

Product	Measurement	Weight
HB2-100	14"L x 14"W x 5"H	6 lb
HB2-140	16"L x 16"W x 5"H	11 lb
HB2-180	16"L x 16"W x 5"H	11 lb



HB2 SERIES SLIM WET LOCATION BAY LIGHT

ORDER INFORMATION **EXAMPLE: HB2 100 50 C WH UD**

Fixture	Series	Power & LM	CCT	Lens	Finish	Input
	HB2			C	WH	UD

A SERIES

HB2	LED SLIM Wet Location Bay Light
------------	---------------------------------

B POWER & LM

Code	Power	LM
100	100W	14000lm
140	140W	19100lm
180	180W	25000lm

C CCT

40	4000K
50	5000K

D LENS

C	Clear lens	F	Frosted lens
----------	------------	----------	--------------

E FINISH

WH	Semi-gloss White
-----------	------------------

F INPUT

UD	110-277V, 0-10V Dimmable	HD	347 / 480V, 0-10V Dimmable
-----------	--------------------------	-----------	----------------------------

HB2 SERIES SLIM WET LOCATION BAY LIGHT

ORDER INFORMATION (CONTINUED)

Mounting

Accessories
 Options

G MOUNTING

MOUNT-HB-HOOK	Hook Mount
MOUNT-HB2-YM	Yoke Mount

H ACCESSORIES/OPTIONS

AIA	Assembled in America, compliant with BAA (COTS)
REMOTE-RC100	Handheld Remote Commissioning Tool for SENSOR-823, 820 Series
SENSOR-823-L3 / L4*	Integral PIR on/off/dimming/photosensing / L3: up to 40FT, L4: up to 8FT
SENSOR-820*	Integral PIR on/off/dimming /photosensing
SENSOR-BLE-619-L3 / L4*	Integral PIR Bluetooth Daylight Sensor (ALS Control Mobile App) / L3: up to 40FT, L4: up to 8FT
CONTROL-AVI-LVFA*	AVI-ON Bluetooth Mesh Control System
EMB-25W**	External 25W Vertical-Hang Emergency Battery for 100W or below
EMB-40W**	External 40W Vertical-Hang Emergency Battery for 140W and above
EMB-40W-550**	480V Input 550V DC Output 40W Emergency Battery for Highbay
-CORD	18-3 300V 6 Foot Cord
-PLUG	18-3 300V 6 Foot Cord and 3 Prong Plug
TWIST-LOCK	Specify Plug Type: L515P / L715P / HBL5929 / L8-20P

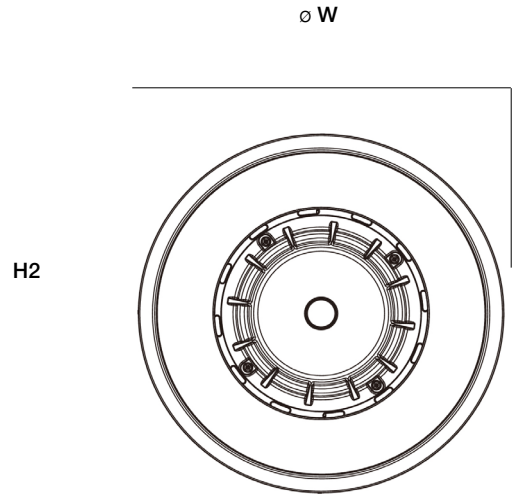
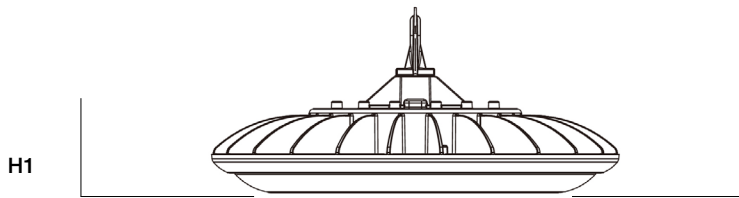
*see page 6 for sensor spec

**see page 7 for emb spec

HB2 SERIES SLIM WET LOCATION BAY LIGHT

DIMENSIONS

Model	H1	H2	W
HB2-100	3.97" (101mm)	7.08" (180mm)	ø 13.03" (331mm)
HB2-140 / 180	4.45" (114mm)	7.08" (180mm)	ø 15.55" (396mm)



PERFORMANCE DATA

SYSTEM WATTS	CCT	VOLTAGE	LUMEN	LPW	QTY ON PALLET
100W	4000K	120-277V	14300	143	90
	5000K	120-277V	14600	146	90
140W	4000K	120-277V	18900	135	90
	5000K	120-277	19040	136	90
180W	4000K	120-277V	25200	140	90
	5000K	120-277V	25380	141	90

HB2 SERIES SLIM WET LOCATION BAY LIGHT

DLC CODE

Part Number	DLC Product ID	DLC Class
HB2 100 40 X XX UD	P7B10DWX OEM Part# MHB0297W27V40K[D,B,W][Blank,M][Blank,B][Blank,0-9,A-Z,a-z]	Standard
HB2 100 50 X XX UD	PZFKH4WU OEM Part# MHB0297W27V50K[D,B,W][Blank,M][Blank,B][Blank,0-9,A-Z,a-z]	Standard
HB2 140 40 X XX UD	PE96WBKX OEM Part# MHB02140W27V40K[D,B,W][Blank,M][Blank,B][Blank,0-9,A-Z,a-z]	Standard
HB2 140 50 X XX UD	PJXWBKJP OEM Part# MHB02140W27V50K[D,B,W][Blank,M][Blank,B][Blank,0-9,A-Z,a-z]	Standard
HB2 180 40 X XX UD	PLBETOFQ OEM Part# MHB02180W27V40K[D,B,W][Blank,M][Blank,B][Blank,0-9,A-Z,a-z]	Standard
HB2 180 50 X XX UD	PDPU6UOV OEM Part# MHB02180W27V50K[D,B,W][Blank,M][Blank,B][Blank,0-9,A-Z,a-z]	Standard

HB2 SERIES SLIM WET LOCATION BAY LIGHT

SENSOR SPEC

Model	Type	Mounting	Coverage	Input	Function	Programmable
SENSOR-823	PIR	L3 - 40FT L4 - 8FT	30FT radius 24FT radius	Universal	On/Off/Dimming	REMOTE-RC100
SENSOR-820	PIR	up to 40FT	30FT radius	100 ~ 480V	On/Off/Dimming Daylight Harvesting	REMOTE-RC100
SENSOR-BLE-619 (see page 9 for detail)	PIR	L3 - 40FT L4 - 8FT	30FT radius 24FT radius	12V DC	Bluetooth Mesh On/Off Daylight	ALS Control Bluetooth Mobile App
CONTROL-AVI-LVFA (see page 8 for detail)	Fixture Controller	-	-	12V DC	Bluetooth Mesh On/Off/Dimming Scheduling	AVI-ON Bluetooth Mobile App



SENSOR-823



SENSOR-820



SENSOR-BLE-619

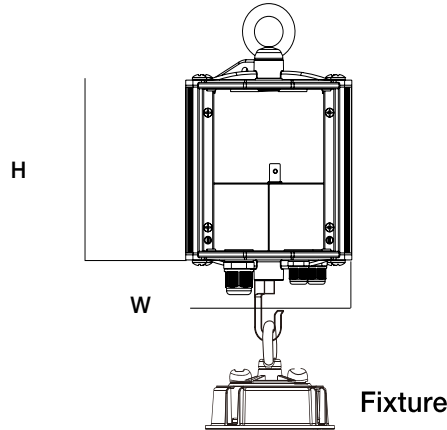


CONTROL-AVI-LVFA

HB2 SERIES SLIM WET LOCATION BAY LIGHT

EMERGENCY BATTERY

Model	H	W	Compatible
EMB-25W	6.80" (173mm)	ø 5.47" (139mm)	100W
EMB-40W	6.80" (173mm)	ø 5.47" (139mm)	140W and above
EMB-40W-550	6.80" (173mm)	ø 5.47" (139mm)	

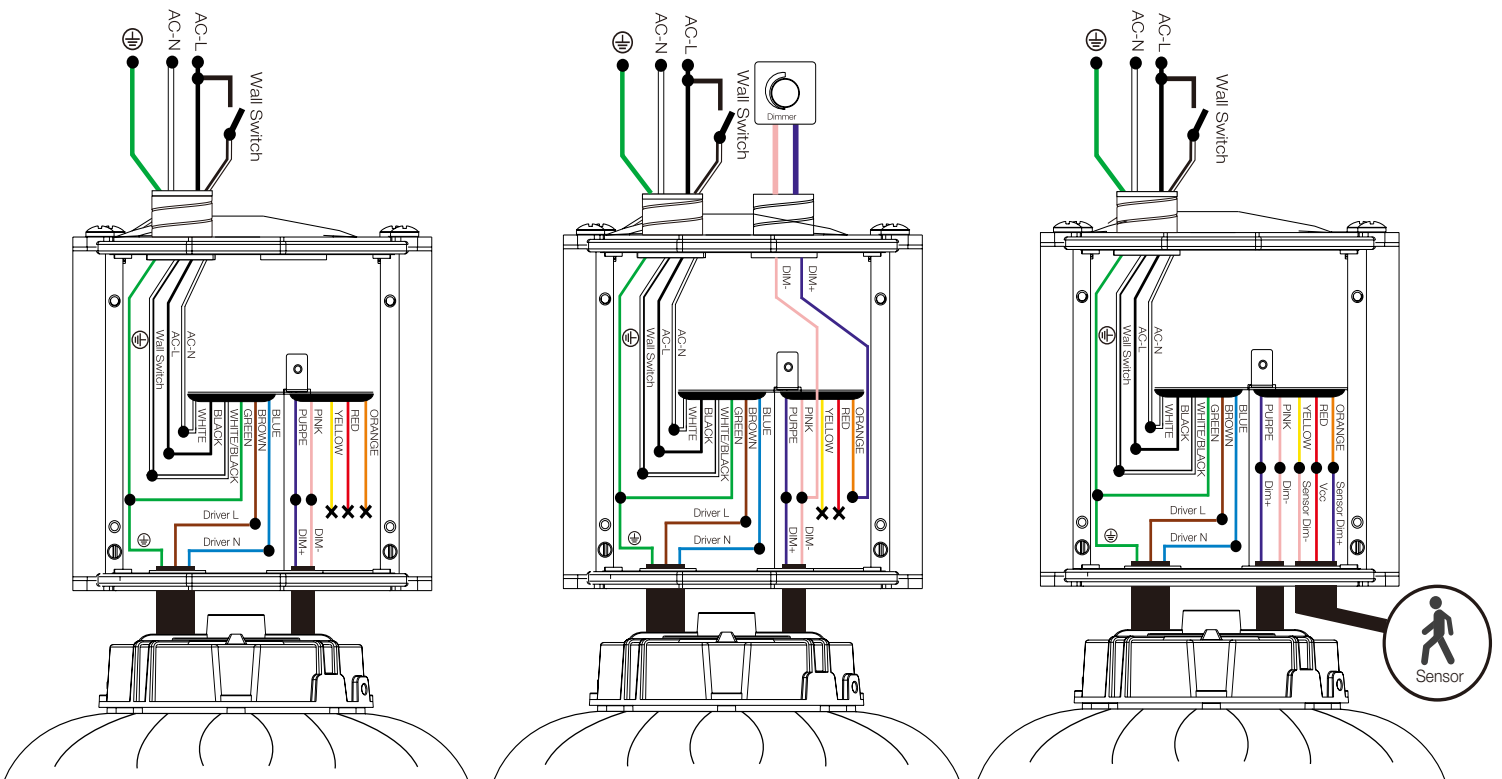


EMERGENCY BATTERY DIAGRAM

On/Off

**w/0-10V
 Dimmer**

**w/DC Sensor
 SENSOR-ANT-6-4T**



HB2 SERIES SLIM WET LOCATION BAY LIGHT

CONTROL-AVI-LVFA SPEC

Status LEDs & Config Button

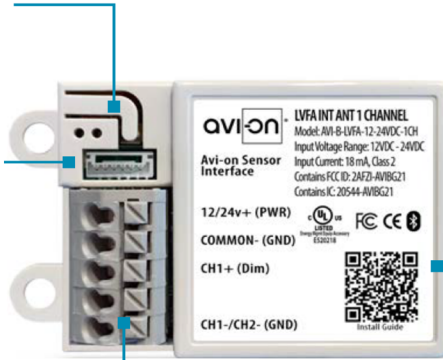
Quick and easy validation of wiring and network

Direct Connect™ Sensor Port

Simple and cost-effective addition to Avi-on sensors

Terminal Blocks & Mounting Tabs

Faster, easier and lower cost installation eliminating connectors



Internal Antenna

Improved performance and eliminates risk of accidentally cutting a hanging wire

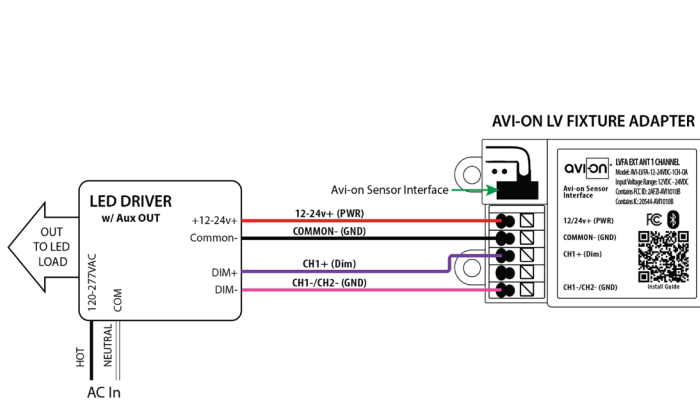
SPECIFICATIONS

INPUT VOLTAGE: 12-24VDC
CURRENT: 15mA without a Sensor
 19mA with a DC PIR Sensor
 48mA with a DC Microwave Sensor
0-10V DIMMING: 12-24VDC
SIZE: 2.30in x 1.43in x 0.75in
 (58.2mm x 36.4mm x 19mm)
MOUNTING: Removable mounting tabs
WEIGHT: 0.45 oz (16g)
OPERATING TEMP: -22°F to +158°F (-30°C to + 70°C)

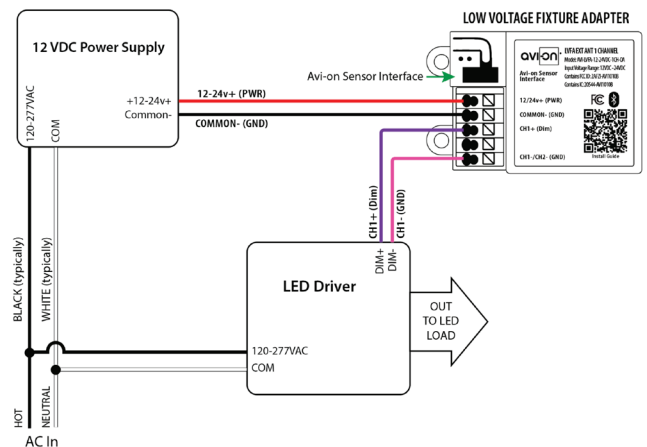
RADIO FREQUENCY: 2.4GHz
WIRELESS STANDARD: BLE 4.2 with Mesh
POINT TO POINT RANGE*: 80ft with obstructions
 350ft unobstructed
SECURITY: AES 128-bit encryption for device to device communication
 AES 256-bit encryption for device to cloud communication
WARRANTY: 5 years; 10 years optional
REGULATORY: FCC: 2AFZI-AVI1010 B
 IC: 20544-AVI1010 B
 BQB: D031801, DID: 86303
 UL 916, 2043 (Plenum Rated)

*When communicating through the mesh, range is essentially unlimited (5000ft+)

WIRING DIAGRAM



Fixture adapter powered by LED driver auxiliary output



Fixture adapter connected to LED driver and using power supply

FEATURE

- **Installation:** Factory Install - Sensor integral to fixture, lens external
- **Commissioning:** Wirelessly through ALS Control Mobile App (iOS / Android)
- **Certification:** DLC 5.1 Networked Lighting Control System
- **Control:** Hold time, High-Low setting, continuous Bi-level dimming, manual/auto - on/off
- **Sensor:** Motion (Occupancy/Vacancy/Manual) and Daylight
- **Zone Control:** Zoning and Grouping control, Scheduling

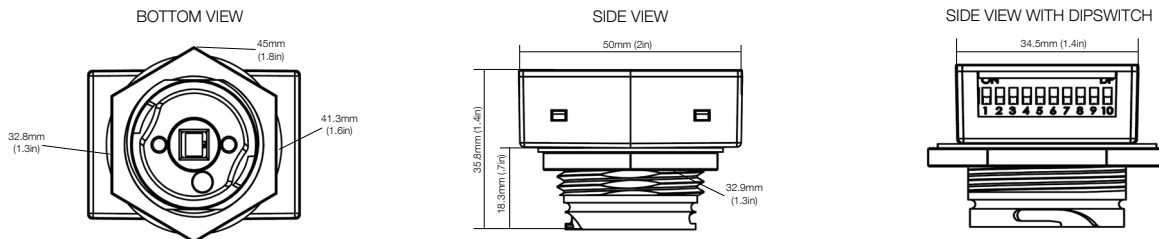


SPECIFICATIONS

SENSOR TYPE: Passive Infrared Sensor (PIR)
WIRELESS STANDARDS: Bluetooth SIG Mesh
INPUT VOLTAGE: 12-24VDC, >50mA
CONTROL OUTPUT: 0-10V
OPERATING TEMP: -40°F ~ +158°F (-40°C ~ +70°C)

COMMISSIONING RANGE: 50FT
BLUETOOTH RANGE: Integral antenna up to 100FT
DETECTION ANGLE: Vertical 90° x Horizontal 360°
MOUNTING HEIGHT: 8 - 40FT
WARRANTY: 5 years
IP RATING: IP65

DIMENSIONS



COVERAGE PATTERNS

