



# HBA2 SERIES WET LOCATION BAY LIGHT

Client:  
Project:  
Type:  
Quantity:

## CONSTRUCTION

Single piece die-cast aluminum housing, maximizes heat dissipation and life expectancy of the luminaire.

IP66 rated protection against dust and water.

IK08 rated protected against 5 joules impact, equivalent to impact of 1.7kg mass dropped from 300mm above impacted surface.

Suitable for interior/exterior, wet, high pressure washdown applications.

## OPTICS

Standard clear polycarbonate lens protects LEDs against solid and liquid impact, symmetric LED board layout offers maximum uniformity illumination.

## ELECTRICAL

80 CRI Lumileds LED.

-40°C up to 55°C (-40°F up to 131°F) maximum operating temperature.

Long-life 54,000 hr LED at L70.

Available with CCT / Output selectable function.

Universal Input 100-280V, 0-10V dimming, output 36V-42V, with 12V AUX output, 50/60Hz, <15% THD, 0.9 power factor. - see Driver Spec (Pg 8)

Optional 347/480V input.

Optional dimming sensor for occupancy and ambient light level detection.

## SENSORS (OPTIONAL)

SENSOR-ANT-6-4T Plug-N-Play PIR on/off/dimming/photosensing.

SENSOR-BLE-6-4T Integral PIR ALS Control bluetooth/on/off/dimming/photosensing.

## MOUNTING

Standard Snap Hook w/Safety Cable included.

Optional 3/4" Pipe to Hook Adapter.

Optional Yoke mount bracket.

## STANDARD FINISH

Corrosion resistant semi-gloss Black or White finish.

## CERTIFICATION

IP66 Wet location label standard. IK08 Rated.

Meets Buy America Act requirements.

Available for BAA Compliant projects.

All luminaires are built to UL1598 standards and bear appropriate cULus labels.

For Emergency application, equipment with UL924 certified battery packs.

DLC® Premium (DesignLights Consortium Qualified)

## WARRANTY

5 year warranty, see Limited Warranty for additional information.



w/Optional Sensor

## SHIPPING DATA

Product	Measurement	Weight
HBA2-160	15"L x 15"W x 5"H	8 lb
HBA2-250	15"L x 15"W x 7"H	8 lb



**HBA2 SERIES WET LOCATION BAY LIGHT**

**ORDER INFORMATION** **EXAMPLE : HBA2 160 SC C BK UD**

Fixture	Series	Power & LM	CCT	Lens	Finish	Input
	<b>HBA2</b>			<b>C</b>	<b>BK</b>	<b>UD</b>

**A SERIES**

**HBA2** LED Bay Light Selectable (HBA Gen 2)

**B POWER & LM**

Code	Power	LM
<b>160</b>	Field Selectable 80 / 100 / 120 / 160W	10,560 / 15,600 / 18,720 / 24,960
<b>250</b>	Field Selectable 120 / 150 / 200 / 250W	16,200 / 23,400 / 31,200 / 39,000

**C CCT**

**SC** Field Selectable 3000 / 4000 / 5000K

**D LENS**

**C** Clear Polycarbonated Lens

**E FINISH**

**BK** Black **WH** White

**F INPUT**

**UD** 120-277V, 0-10V Dimmable **HD** 347~480V, 0-10V Dimmable

**HBA2 SERIES WET LOCATION BAY LIGHT**

**ORDER INFORMATION (CONTINUED)**

Mounting

Accessories

Options

**G MOUNTING**

blank	Snap Hook Mount w/Safety Cable (standard)
MOUNT-HB-HOOK	3/4" Pipe to Hook Pendant Mount Adapter
MOUNT-HBA2-YM	Yoke Mount

**H ACCESSORIES/OPTIONS**

AIA	Assembled in America, compliant with BAA (COTS)
SENSOR-ANT-6-4T*	Integral PIR on/off/dimming/photosensing
SENSOR-ANT-6-4T-EM*	Integral PIR on/off/dimming/photosensing with EMB
SENSOR-BLE-6-4T*	"Plug-N-Play" Integral Bluetooth Daylight Harvesting Sensor (ALS Control Mobile App)
REMOTE-RC100	Handheld Remote Commissioning Tool for SENSOR-ANT (1 per job)
EMB-25W**	External 25W Vertical-Hang Emergency Battery for 100W or below setting
EMB-40W**	External 40W Vertical-Hang Emergency Battery for 250W or below setting
EMB-40W-550**	480V Input 550V DC Output 40W Emergency Battery for Highbay
LENS-HB100A-AR / PR	HBA2-160 AR - Aluminum Reflector / PR - Prismatic Reflector
LENS-HB250A-AR / PR	HBA2-250 AR - Aluminum Reflector / PR - Prismatic Reflector
-CORD	18-3 300V 6 Foot Cord
-PLUG	6 Foot Cord and 3 Prong Plug
TWIST-LOCK	Specify Plug Type: <b>L515P / L715P / HBL5929 / L8-20P</b>

\*see page 9 for sensor spec

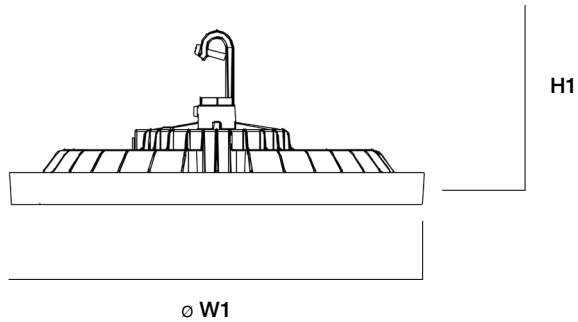
\*\*see page 6 for emb spec

**HBA2 SERIES WET LOCATION BAY LIGHT**

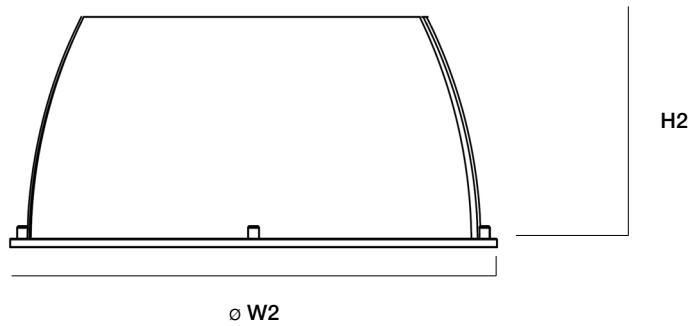
**DIMENSIONS**

Model	H1	H2	H3	W1	W2	W3
HBA2-160	5.78" (147mm)			∅ 10.83" (275mm)		
HBA2-250	5.96" (151mm)			∅ 13.38" (340mm)		
LENS-HB200A-PR / AR		6.46" (164mm)			∅ 13.97" (355mm)	
LENS-HB250A-PR / AR		6.46" (164mm)			∅ 13.97" (355mm)	
MOUNT-HBA2-YM			7.14" (181mm)			10.33" (262mm)

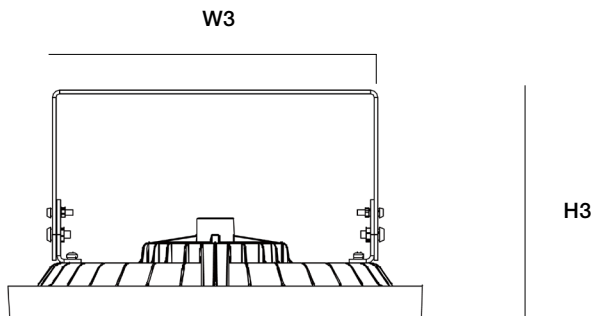
**Luminaire**



**PR / AR Lens**



**Luminaire w/Yoke**



**HBA2 SERIES WET LOCATION BAY LIGHT**

**PERFORMANCE**

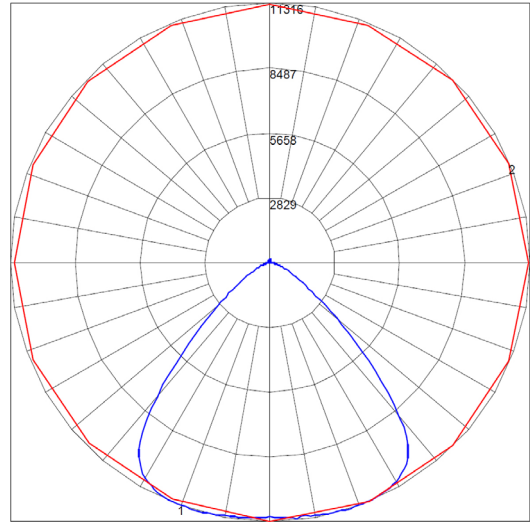
**HBA2-160SC**

Zone	Lumen	Luminaire%
0-30	9398	40.10
0-40	15620	66.70
0-60	21965	93.70
0-90	23151	98.80
0-180	23431	100

Lumen: 23431  
 Input Watts: 150 W  
 Efficacy: 156 LPW

Maximum Candela = 11316.38 Located At Horizontal Angle = 270, Vertical Angle = 17  
 # 1 - Vertical Plane Through Horizontal Angles (270 - 90) (Through Max. Cd.)  
 # 2 - Horizontal Cone Through Vertical Angle (17) (Through Max. Cd.)

IES: HBA2-160SC @ 160W 4000K



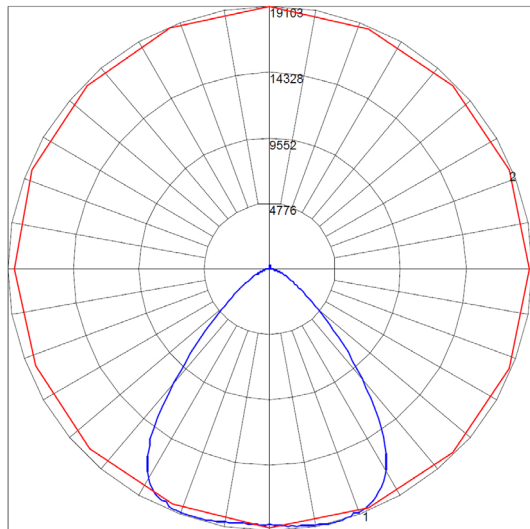
**HBA2-250SC**

Zone	Lumen	Luminaire%
0-30	15562	44.10
0-40	24546	69.50
0-60	33031	93.50
0-90	34902	98.80
0-180	35316	100

Lumen: 35316  
 Input Watts: 226.8 W  
 Efficacy: 156 LPW

Maximum Candela = 19103.439 Located At Horizontal Angle = 90, Vertical Angle = 14  
 # 1 - Vertical Plane Through Horizontal Angles (90 - 270) (Through Max. Cd.)  
 # 2 - Horizontal Cone Through Vertical Angle (14) (Through Max. Cd.)

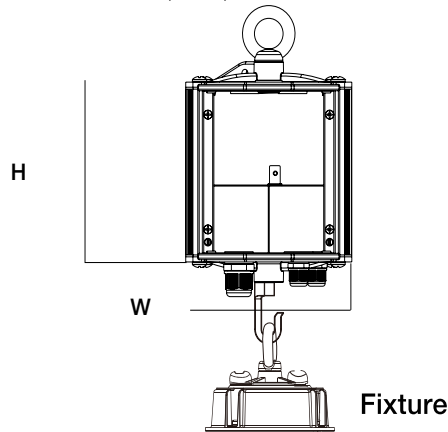
IES: HBA2-250SC @ 250W 4000K



**HBA2 SERIES WET LOCATION BAY LIGHT**

**EMERGENCY BATTERY**

Model	H	W	Compatible
EMB-25W	6.80" (173mm)	ø 5.47" (139mm)	100W
EMB-40W	6.80" (173mm)	ø 5.47" (139mm)	250W and below
EMB-40W-550	6.80" (173mm)	ø 5.47" (139mm)	

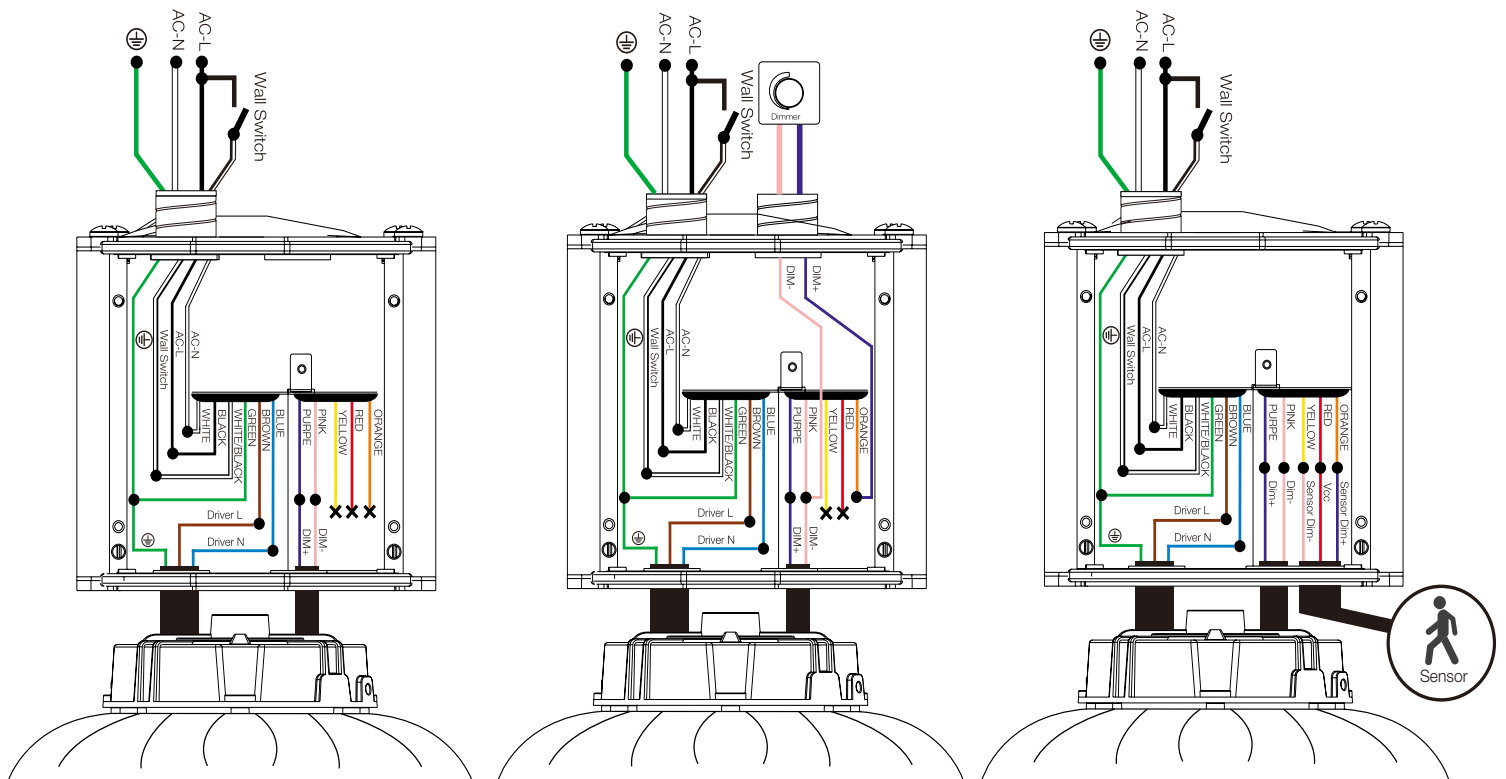


**EMERGENCY BATTERY DIAGRAM**

**On/Off**

**w/0-10V  
 Dimmer**

**w/DC Sensor  
 SENSOR-ANT-6-4T**



**HBA2 SERIES WET LOCATION BAY LIGHT**

**PERFORMANCE DATA / DLC CODE**

SYSTEM WATTS	CCT	VOLTAGE	LUMEN	LPW	QTY ON PALLET	PART NUMBER	DLC PRODUCT ID / ORDER CODE	DLC CLASS	
HBA2-160 80W Selection	3000K	120-277V	10560	132	90	HBA2-160SC-CXXUD	Pending	DLC 5.1 Premium	
	4000K	120-277V	12480	156	90		Pending	DLC 5.1 Premium	
	5000K	120-277V	11760	147	90		Pending	DLC 5.1 Premium	
HBA2-160 100W Selection	3000K	120-277V	13200	132	90		Pending	DLC 5.1 Premium	
	4000K	120-277V	15600	156	90		Pending	DLC 5.1 Premium	
	5000K	120-277V	14700	147	90		Pending	DLC 5.1 Premium	
HBA2-160 120W Selection	3000K	120-277V	15840	132	90		Pending	DLC 5.1 Premium	
	4000K	120-277V	18720	156	90		Pending	DLC 5.1 Premium	
	5000K	120-277V	17640	147	90		Pending	DLC 5.1 Premium	
HBA2-160 160W Selection	3000K	120-277V	21120	132	90		Pending	DLC 5.1 Premium	
	4000K	120-277V	24960	156	90		Pending	DLC 5.1 Premium	
	5000K	120-277V	23520	147	90		Pending	DLC 5.1 Premium	
HBA2-250 120W Selection	3000K	120-277V	16200	135	90		HBA2-250SC-CXXUD	Pending	DLC 5.1 Premium
	4000K	120-277V	18720	156	90			Pending	DLC 5.1 Premium
	5000K	120-277V	17280	144	90			Pending	DLC 5.1 Premium
HBA2-250 150W Selection	3000K	120-277V	20250	135	90	Pending		DLC 5.1 Premium	
	4000K	120-277V	23400	156	90	Pending		DLC 5.1 Premium	
	5000K	120-277V	21600	144	90	Pending		DLC 5.1 Premium	
HBA2-250 200W Selection	3000K	120-277V	27000	135	90	Pending		DLC 5.1 Premium	
	4000K	120-277V	31200	156	90	Pending		DLC 5.1 Premium	
	5000K	120-277V	28800	144	90	Pending		DLC 5.1 Premium	
HBA2-250 250W Selection	3000K	120-277V	33750	135	90	Pending		DLC 5.1 Premium	
	4000K	120-277V	39000	156	90	Pending		DLC 5.1 Premium	
	5000K	120-277V	36000	144	90	Pending		DLC 5.1 Premium	

## HBA2 SERIES WET LOCATION BAY LIGHT

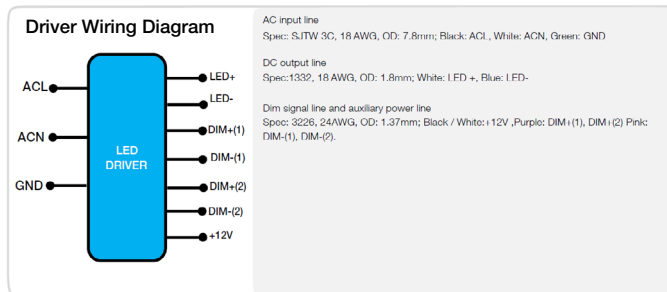
### DRIVER SPECIFICATION

#### HBA2-160 Driver Spec

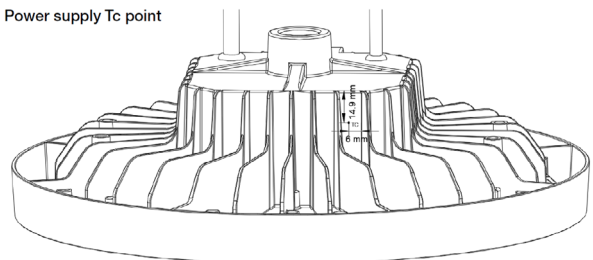
- Driver Type: Potted Driver
- Input: 120-277Vac / 347~480Vac
- Output Wattage: 162.5W Max
- Output Voltage: 130Vdc Max
- Output Current: 1.155A ~ 1.25A
- Power Factor: 0.91
- THD: 17% MAX
- Dimming: 0-10V Dim to Off
- AUX Output: 12Vdc
- MAX Temp: 90°C

#### HBA2-250 Driver Spec

- Driver Type: Potted Driver
- Input: 120-277Vac / 347~480Vac
- Output Wattage: 260W Max
- Output Voltage: 130Vdc Max
- Output Current: 1.8A ~ 2.0A
- Power Factor: 0.93
- THD: 17% MAX
- Dimming: 0-10V Dim to Off
- AUX Output: 12Vdc
- MAX Temp: 90°C



Power supply Tc point





**HBA2 SERIES WET LOCATION BAY LIGHT**

**SENSOR SPEC**

Model	Type	Mounting	Coverage	Input	Function	Programmable
SENSOR-ANT-6-4T SENSOR-ANT-6-4T-EM	PIR	up to 40FT	30FT radius	12V DC	On/Off/Dimming	REMOTE-RC100
SENSOR-BLE-6-4T (see page 10 for detail)	PIR	up to 40FT	30FT radius	12V DC	Bluetooth Mesh On/Off/Dimming Daylight Harvesting	ALS Control Bluetooth Mobile App



SENSOR-ANT-6-4T  
 SENSOR-ANT-6-4T-EM  
 SENSOR-BLE-6-4T



# SENSOR-BLE-6-4T BLUETOOTH PIR SENSOR

Client:  
Project:  
Type:  
Quantity:

## FEATURE

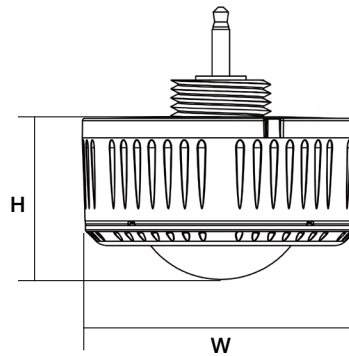
- **Installation:** Plug-N-Play via AUX socket on attached fixture
- **Commissioning:** Wirelessly through ALS Control Mobile App (iOS / Android)
- **Certification:** DLC 5.1 Networked Lighting Control System
- **Control:** Hold time, High-Low setting, continuous Bi-level dimming, Code-compliant manual-on or auto-off capability
- **Sensor:** Motion (Occupancy/Vacancy/Manual) and Daylight Harvesting
- **Room and Zone Control:** Zoning and Grouping control, Scheduling



## SPECIFICATIONS

<b>SENSOR TYPE:</b>	Passive Infrared Sensor (PIR)
<b>WIRELESS STANDARDS:</b>	5.0 Bluetooth Mesh
<b>INPUT VOLTAGE:</b>	12-24VDC, >50mA
<b>CONTROL OUTPUT:</b>	0-10V
<b>OPERATING TEMP:</b>	-4°F ~ +140°F (-20°C ~ +60°C)
<b>COMMISSIONING RANGE:</b>	50FT
<b>BLUETOOTH RANGE:</b>	164FT
<b>DETECTION ANGLE:</b>	360°
<b>MOUNTING HEIGHT:</b>	Up to 40FT
<b>WARRANTY:</b>	5 years
<b>IP RATING:</b>	IP65

## DIMENSIONS



H	W
1.03" (26.2mm)	2.17" (55mm)

## COVERAGE PATTERNS

