

**CONTRACTOR SELECT LINEAR STRIP**

Client:  
Project:  
Type:  
Quantity:

**CONSTRUCTION**

4-Foot compact design channel formed from cold-rolled 22-gauge steel with matte White finish. 1/2" knockout made on end cap for sensor or surface conduit mount.

**OPTICS**

End-to-end U-shaped frosted polycarbonate (PC) lens standard.

**ELECTRICAL**

Delivered 130lm/W efficacy LEDs offer 80+ color rendering index (CRI), L70 >100,000 hours expected life.

-40°C up to 50°C (-40°F up to 122°F) maximum operating temperature.

Selectable lumen and CCT technology allows easy field-adjustable capability.

Luminaire ships with maximum output and 4000K CCT setting.

Driver operates at 120-277V input, 0-10V dimmable driver, dimmable down to 10%.

**MOUNTING**

Designed for direct wiring, surface mountable underneath electrical box.

Optional 5" OD beauty ring.

**STANDARD FINISH**

Semi-gloss White finish, suitable for damp location.

**CERTIFICATION**

Damp location label standard.

All luminaires are built to UL1598 standards and bear appropriate cULus labels.

For Emergency application, equipment with UL924 certified battery packs.

DLC<sup>®</sup> Premium (DesignLights Consortium Qualified).

**WARRANTY**

5 year warranty, see Limited Warranty for additional information.



**SHIPPING DATA**

Product	Measurement	Weight
CSL-4 (4 Pack)	51" L x 15" W x 4" H	20 lb



**CONTRACTOR SELECT LINEAR STRIP**

**ORDER INFORMATION** **EXAMPLE: CSL 4MC WH UD**

Fixture	Series	Size	Finish	Input
	<b>CSL</b>	<b>4MC</b>	<b>WH</b>	<b>UD</b>

Accessories  
Options

**A SERIES**

**CSL** Contractor Series - Linear Strips

**B SIZE**

Code	Size	Power	CCT
<b>4MC</b>	4-Foot	24W / 32W / 40W	3500K / 4000K / 5000K

**C FINISH**

**WH** White

**D INPUT**

**UD** 120-277V, 0-10V Dimmable

**E ACCESSORIES/OPTIONS**

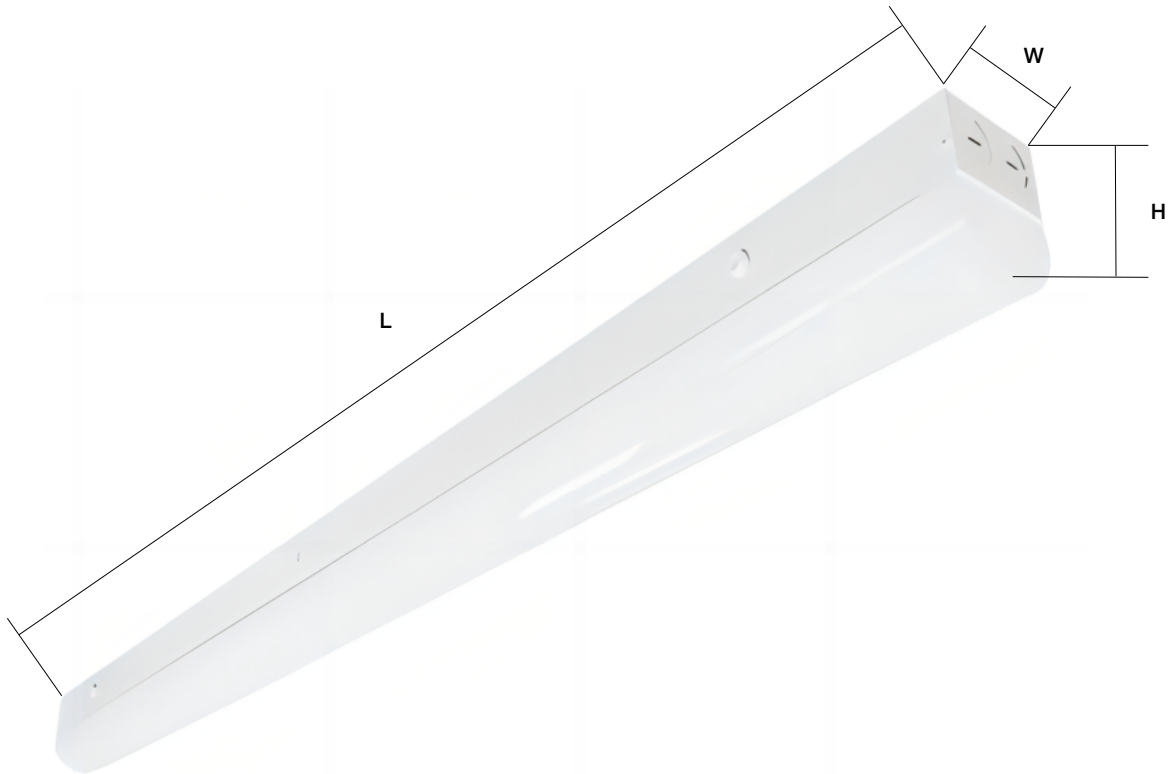
<b>MOUNT-CSL-CK</b>	Gripple Hanger Kit with V-Hook (Pair)
<b>RING-CSL-4</b>	5" OD Beauty Ring
<b>EMB-8W-B*</b>	8W Emergency Battery 170VDC Forward Voltage
<b>-CORD</b>	18-3 300V 6 Foot Cord
<b>-PLUG</b>	18-3 300V 6 Foot and 3 Prong Plug

\*see page 4 for EMB spec

**CONTRACTOR SELECT LINEAR STRIP**

**DIMENSIONS**

Model	L	W	H
CSL-4	48.00" (1219mm)	2.90" (74mm)	3.27" (83mm)



**CONTRACTOR SELECT LINEAR STRIP**

**PERFORMANCE DATA**

SYSTEM WATTS	SIZE	VOLTAGE	3500K		4000K		5000K		QTY ON PALLET
			LUMEN	LPW	LUMEN	LPW	LUMEN	LPW	
24W	4-Foot	120-277V	3120	130	3144	131	3120	130	200
32W	4-Foot	120-277V	4160	130	4192	131	4160	130	200
40W	4-Foot	120-277V	5200	130	5240	131	5200	130	200

**EMB SPEC**

Model	Compatible Fixture	Battery Capacity	Input	Output	Output Power	Operating Temp	Installation
EMB-8W-B	CSL-4	90mins	100-347VAC	170VDC	8W	0°C ~ 50°C 32°F ~ 122°F	Factory or Field Install

