

WNA SERIES SELECTABLE SEMI-CUTOFF WALL PACK

CONSTRUCTION

Cast aluminum frame holds lens and seals to housing gasket with two stainless steel screws. Door assembly hinges to side, cast aluminum housing with three 1/2" conduit entries (on top and sides), for surface conduit.

OPTICS

Borosilicate glass refractor softens LED image and provides uniform distribution and glare control. CCT and output selectable between 3000K ~ 5000K (80 CRI) configuration settings.

ELECTRICAL

80+ CRI Lumileds LED.
 -40°C up to 45°C (-40°F up to 113°F) maximum operating temperature.
 150,000hr LED at L70 @ 25°C, 120,000hr LED at L70 @ 40°C.
 Driver operates at 120-277V input, 50/60Hz, <20% THD, 0.9 power factor.
 WNA-8 model output selectable between 25W / 40W / 60W / 80W. Default setting: 5000K, 80W
 WNA-10 model output selectable between 60W / 80W / 100W / 120W. Default setting: 5000K, 120W.
 0-10V dimming driver, button photocontrol standard included.
 Optional 10kV surge protector. Optional 347V / 480V Driver.
 Optional Self-Diagnostic emergency back up.
 Optional Self-Diagnostic Sub-Zero emergency back up.

SENSORS (OPTIONAL)

SENSOR-BLE-7D Integral Microwave Bluetooth Wireless Motion/on/off/dimming/photosensing.
 SENSOR-BLE-7 Integral Microwave Bluetooth Wireless Motion/on/off/dimming/photosensing.
 SENSOR-ANT-7 Integral Microwave Motion/on/off/dimming/photosensing.
 SENSOR-823 Integral PIR on/off/dimming/photosensing.
 SENSOR-820 Integral PIR on/off/dimming/photosensing.
 CONTROL-LVFA AVI-ON Bluetooth Mesh Controller.

MOUNTING

Wall mount over electrical box or via surface conduit.

STANDARD FINISH

Corrosion resistant Dark Bronze powder coating finish.

CUSTOM FINISH

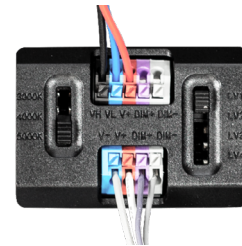
Black, Graphite Metallic, Gray, Silver, and White, or custom RAL#

CERTIFICATION

Wet Location listed.
 Meets Buy America Act requirements.
 Option for "BABAA" compliance upon request.
 IDA compliant: with 3000K color temperature selection.
 Title 24 compliant; see local ordinance for qualification information.
 All luminaires are built to UL1598 standards and bear appropriate cETLus labels.
 For Emergency application, equipped with UL924 certified battery packs.
 DLC® Premium (DesignLights Consortium Qualified) listed.

WARRANTY

5 year warranty, see Limited Warranty for additional information.



SHIPPING DATA

Product	Measurement	Weight
WNA-80	15"L x 10"W x 9"H	9 lb
WNA-120	15"L x 10"W x 9"H	12 lb



WNA SERIES SELECTABLE SEMI-CUTOFF WALL PACK

ORDER INFORMATION **EXAMPLE: WNA 80 MC DB UNVD P**

Fixture	Series	Power & LM	CCT	Finish	Input	Sensor
	WNA		MC			P

Accessories
Options

A SERIES

WNA Selectable Semi-Cutoff Wall Pack

B POWER & LM

Code	Power	LM
80	25W / 40W / 60W / 80W	3125lm - 11120lm
120	60W / 80W / 100W / 120W	5000lm - 16200lm

C CCT

MC CCT Selectable: 3000K ~ 5000K

D FINISH

Standard

DB Dark Bronze

Custom Color

CC	BK Black	GM Graphite Metallic	GR Gray
	SV Silver	WH White	RAL#

E INPUT

UNVD-P	110-277V, 0-10V Dimming, with Photocell
HVLD-P	347-480V, 1-10V Dimmable, with Photocell

G ACCESSORIES/OPTIONS

AIA	Assembled in America, compliant with BAA (COTS)
BABAA	Build America, Buy America Act (BABAA) Compliant
EMB-8W-B**	High Voltage Output Smart Emergency Battery 8W 100-347VAC Input 170VDC
EMB-18W-B**	High Voltage Output Smart Emergency Battery 18W 100-347VAC Input 170VDC
EMB-18W-C-B**	High Voltage Output Smart Cold Weather Emergency Battery 18W 100-347VAC Input 170VDC Output
SENSOR-820-M8-L3*	Integral PIR on/off/dimming/photosensing
SENSOR-823-L3 / L4*	Integral PIR on/off/dimming/photosensing / L3: up to 40FT, L4: up to 8FT
REMOTE-RC100	Handheld Remote Commissioning Tool for SENSOR-823, 820 Series
SENSOR-BLE-7D*	Integral Bluetooth Microwave Sensor (ALS Control Mobile App)
SENSOR-BLE-7*	Integral Microwave Bluetooth Wireless Bi-Level Motion Sensor (ALS Control Mobile App)
SENSOR-ANT-7*	Integral Microwave Bi-Level Motion Sensor
SURGE-LSP4-U / H	10kV inline Surge Protection for Universal input / U: 120-277V, H: 480V input
CONTROL-LVFA*	AVI-ON Bluetooth Mesh Control System

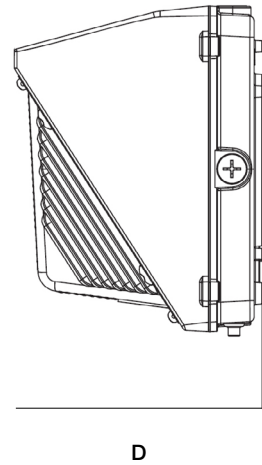
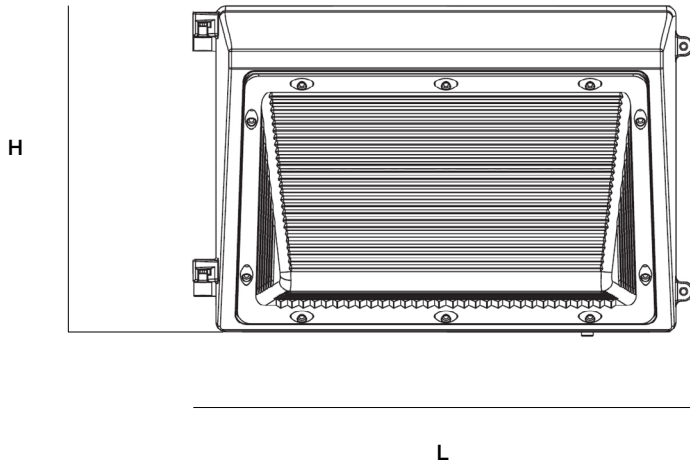
*see page 5 for sensor spec

**see page 6 for emb spec

WNA SERIES SELECTABLE SEMI-CUTOFF WALL PACK

DIMENSIONS

Model	H	L	D
WNA-80	9.25" (235mm)	14.25" (362mm)	7.40" (187mm)
WNA-120	9.25" (235mm)	14.25" (362mm)	7.40" (187mm)



WNA SERIES SELECTABLE SEMI-CUTOFF WALL PACK

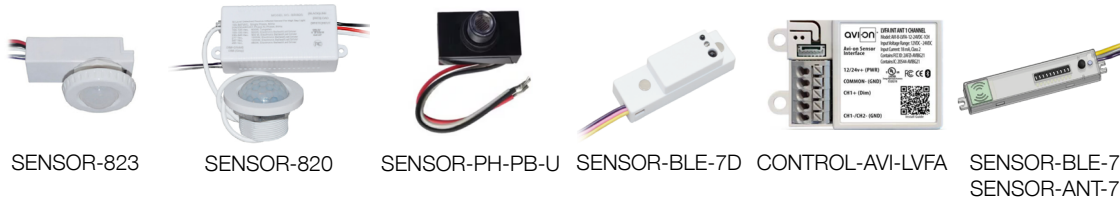
PERFORMANCE DATA / DLC CODE

SYSTEM WATTS	CCT	VOLTAGE	LUMEN	LPW	QTY ON PALLET	PART NUMBER	DLC PRODUCT ID / ORDER CODE	DLC CLASS
WNA-80 25W Selection	3000K ~ 5000K	120-277V	3125	125	96	WNA-80MC-DBUNVD-P	ALS: WNA-80-MC-DB-UNVD-P Product ID: PLFBGHMX5ZIV	DLC 5.1 Premium
WNA-80 40W Selection	3000K ~ 5000K	120-277V	5000	125	96	WNA-80MC-DBUNVD-P	ALS: WNA-80-MC-DB-UNVD-P Product ID: PLFBGHMX5ZIV	DLC 5.1 Premium
WNA-80 60W Selection	3000K ~ 5000K	120-277V	7500	125	96	WNA-80MC-DBUNVD-P	ALS: WNA-80-MC-DB-UNVD-P Product ID: PLFBGHMX5ZIV	DLC 5.1 Premium
WNA-80 80W Selection	3000K ~ 5000K	120-277V	11120	139	96	WNA-80MC-DBUNVD-P	ALS: WNA-80-MC-DB-UNVD-P Product ID: PLFBGHMX5ZIV	DLC 5.1 Premium
WNA-120 60W Selection	3000K ~ 5000K	120-277V	8100	135	96	WNA-120MC-DBUNVD-P	ALS: WNA-120-MC-DB-UNVD-P Product ID: S-SC3U17	DLC 5.1 Premium
WNA-120 80W Selection	3000K ~ 5000K	120-277V	11120	139	96	WNA-120MC-DBUNVD-P	ALS: WNA-120-MC-DB-UNVD-P Product ID: S-SC3U17	DLC 5.1 Premium
WNA-120 100W Selection	3000K ~ 5000K	120-277V	12900	129	96	WNA-120MC-DBUNVD-P	ALS: WNA-120-MC-DB-UNVD-P Product ID: S-SC3U17	DLC 5.1 Premium
WNA-120 120W Selection	3000K ~ 5000K	120-277V	16200	135	96	WNA-120MC-DBUNVD-P	ALS: WNA-120-MC-DB-UNVD-P Product ID: S-SC3U17	DLC 5.1 Premium

WNA SERIES SELECTABLE SEMI-CUTOFF WALL PACK

SENSOR SPEC

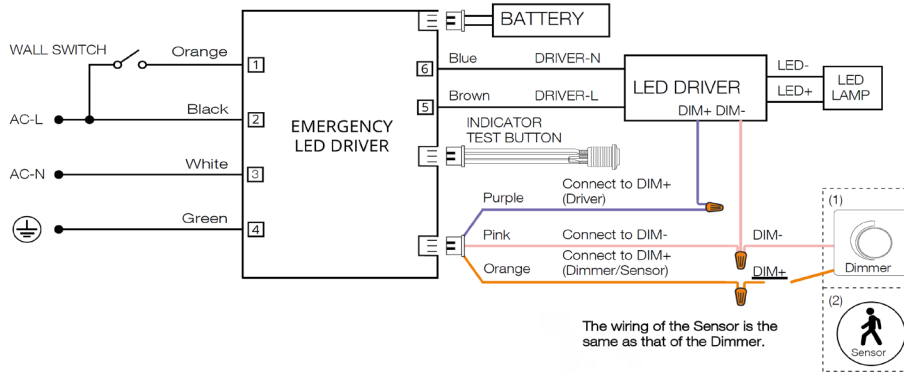
Model	Type	Mounting	Coverage	Input	Function	Programmable
SENSOR-823	PIR	L3 - 40FT L4 - 8FT	30FT radius 24FT radius	Universal	On/Off/Dimming	REMOTE-RC100
SENSOR-820	PIR	up to 40FT	30FT radius	100 ~ 480V	On/Off/Dimming Daylight Harvesting	REMOTE-RC100
Button Photocell	-	-	-	12V	Dusk-to-Dawn Control	-
SENSOR-BLE-7D (see page 8 for detail)	Microwave	up to 12FT	17FT radius	12V DC	Bluetooth Mesh On/Off/Dimming Motion	ALS Control Bluetooth Mobile App
CONTROL-LVFA (see page 7 for detail)	Fixture Controller	-	-	12V DC	Bluetooth Mesh On/Off/Dimming Scheduling	AVI-ON Bluetooth Mobile App
SENSOR-BLE-7 (see page 9 for detail)	Microwave	up to 13FT	17FT radius	12V DC	Bluetooth Mesh On/Off/Dimming Motion Daylight Sensing	ALS Control Bluetooth Mobile App
SENSOR-ANT-7	Microwave	up to 12FT	17FT radius	10V DC	On/Off/Dimming Motion Daylight Sensing	ALS Control Bluetooth Mobile App



WNA SERIES SELECTABLE SEMI-CUTOFF WALL PACK

EMB SPEC

Model	Battery Capacity	Input	Output	Output Power	Operating Temp	Installation
EMB-8W-B	90mins	100-347VAC	170VDC	8W	0°C ~ 50°C 32°F ~ 122°F	Factory or Field Install
EMB-18W-B	90mins	100-347VAC	170VDC	18W	0°C ~ 50°C 32°F ~ 122°F	Factory or Field Install
EMB-18W-C-B	90mins	100-347VAC	170VDC	18W	-20°C ~ 50°C -4°F ~ 122°F	Factory or Field Install



WNA SERIES SELECTABLE SEMI-CUTOFF WALL PACK

CONTROL-LVFA SPEC

Status LEDs & Config Button

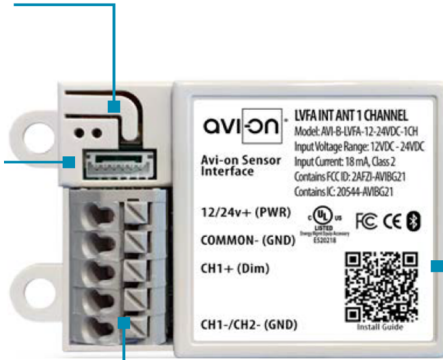
Quick and easy validation of wiring and network

Direct Connect™ Sensor Port

Simple and cost-effective addition to Avi-on sensors

Terminal Blocks & Mounting Tabs

Faster, easier and lower cost installation eliminating connectors



Internal Antenna

Improved performance and eliminates risk of accidentally cutting a hanging wire

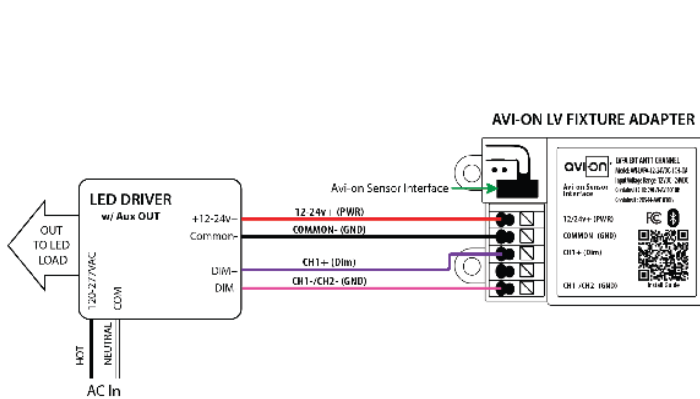
SPECIFICATIONS

INPUT VOLTAGE: 12-24VDC
CURRENT: 15mA without a Sensor
 19mA with a DC PIR Sensor
 48mA with a DC Microwave Sensor
0-10V DIMMING: 12-24VDC
SIZE: 2.30in x 1.43in x 0.75in
 (58.2mm x 36.4mm x 19mm)
MOUNTING: Removable mounting tabs
WEIGHT: 0.45 oz (16g)
OPERATING TEMP: -22°F to +158°F (-30°C to + 70°C)

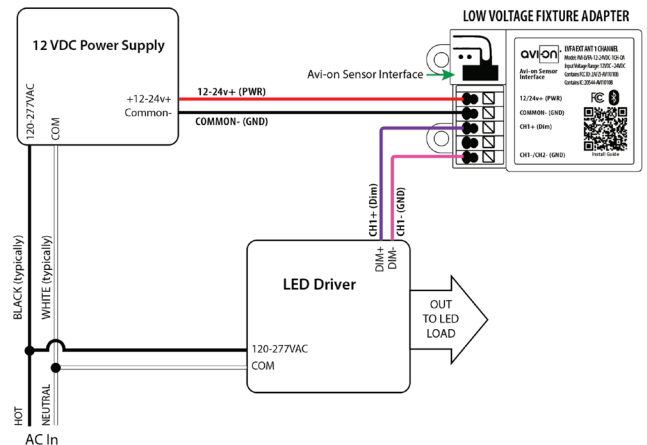
RADIO FREQUENCY: 2.4GHz
WIRELESS STANDARD: BLE 4.2 with Mesh
POINT TO POINT RANGE*: 80ft with obstructions
 350ft unobstructed
SECURITY: AES 128-bit encryption for device to device communication
 AES 256-bit encryption for device to cloud communication
WARRANTY: 5 years; 10 years optional
REGULATORY: FCC: 2AFZI-AVI1010 B
 IC: 20544-AVI1010 B
 BQB: D031801, DID: 86303
 UL 916, 2043 (Plenum Rated)

*When communicating through the mesh, range is essentially unlimited (5000ft+)

WIRING DIAGRAM



Fixture adapter powered by LED driver auxiliary output



Fixture adapter connected to LED driver and using power supply

FEATURE

- **Installation:** Factory Install - Integral to Fixture
- **Commissioning:** Wirelessly through ALS Control Mobile App (iOS / Android)
- **Certification:** DLC 5.1 Networked Lighting Control System
- **Control:** Hold time, High-Low setting, continuous Bi-level dimming, Code-compliant manual-on or auto-off capability
- **Sensor:** Motion (Occupancy/Vacancy/Manual)
- **Room and Zone Control:** Zoning and Grouping control, Scheduling

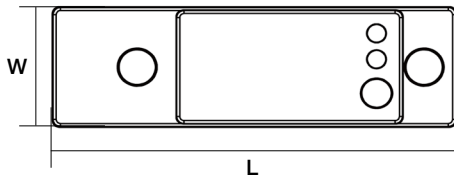


SPECIFICATIONS

SENSOR TYPE: Microwave
WIRELESS STANDARDS: Bluetooth SIG Mesh
INPUT VOLTAGE: 10-14VDC, >50mA
CONTROL OUTPUT: 0-10V
OPERATING TEMP: -40°F ~ +158°F (-40°C ~ +70°C)

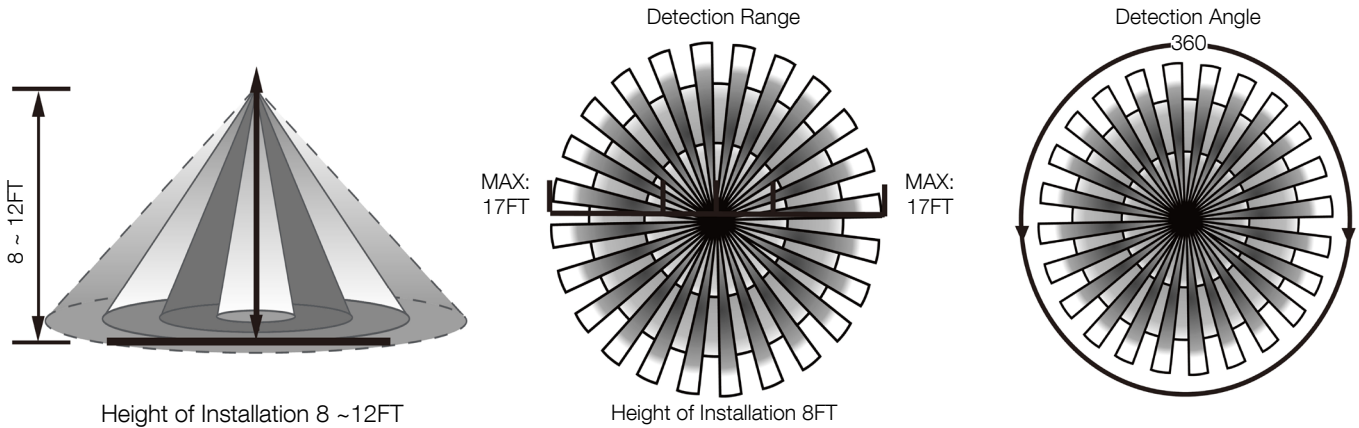
COMMISSIONING RANGE: 50FT
BLUETOOTH RANGE: Integral antenna up to 164FT
DETECTION ANGLE: 360°
MOUNTING HEIGHT: Up to 12FT
WARRANTY: 5 years
IP RATING: IP20

DIMENSIONS



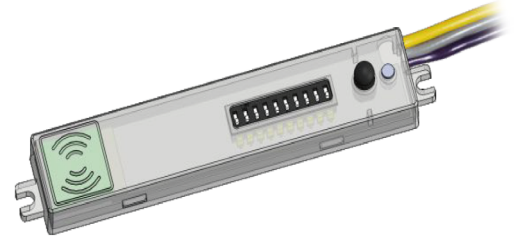
L	W
2.6" (65.5mm)	0.8" (20.5mm)

COVERAGE PATTERNS



FEATURE

- **Installation:** Factory Install - Integral to Fixture
- **Commissioning:** Wirelessly through ALS Control Mobile App (iOS / Android)
- **Certification:** DLC 5.1 Networked Lighting Control System
- **Control:** Hold time, High-Low setting, continuous Bi-level dimming, Code-compliant manual-on or auto-off capability
- **Sensor:** Motion (Occupancy/Vacancy/Manual)
- **Room and Zone Control:** Zoning and Grouping control, Scheduling

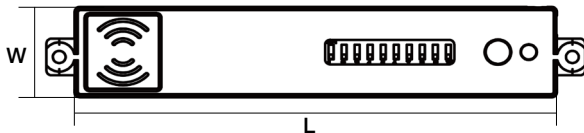


SPECIFICATIONS

SENSOR TYPE: Microwave
WIRELESS STANDARDS: Bluetooth SIG Mesh
INPUT VOLTAGE: 10-14VDC, >50mA
CONTROL OUTPUT: 0-10V
OPERATING TEMP: -40°F ~ +158°F (-40°C ~ +70°C)

COMMISSIONING RANGE: 50FT
BLUETOOTH RANGE: Integral antenna up to 164FT
DETECTION ANGLE: 360°
MOUNTING HEIGHT: Up to 13FT
WARRANTY: 5 years
IP RATING: IP20

DIMENSIONS



L	W
3.70" (94mm)	0.73" (18.5mm)

COVERAGE PATTERNS

