



## LPA SERIES G2 SELECTABLE BACKLIT PANEL

Client:  
Project:  
Type:  
Quantity:

### CONSTRUCTION

Low profile extruded aluminum frame, all corners are rounded for safe handling. Multiple wiring entrances on driver enclosure for easy access. The backplate includes integral T-bar clips for installation into T-grid ceilings.

### OPTICS

Backlit design provides exceptional lighting distribution. Frosted PMMA lens offers edge to edge illumination without pixilation or bright spots.

### ELECTRICAL

Long-life, high-efficacy, micro-power LEDs, illumination for extended service life. Greater than 70% LED lumen maintenance at 100,000 hours (L70>100,000).

Selectable lumen and CCT technology allows easy field-adjustable capability, luminaire ships with maximum output and 4000K CCT setting.

All CCTs are within 3 MacAdam ellipses, 80CRI.

Driver operates at 120-277V input, 0-10V dimmable driver, dim-to-off voltage threshold of optional 12V AUX integrated driver ranges from 0.1V to 0.5V.

### MOUNTING

Designed to accommodate lay-in ceilings, Slot T, and T-bar suspension system for 5/8" and 3/8" width. Built-in earthquake clips come standard.

Surface/cable mount applications, use surface/cable kit accessories.

Plaster or sheetrock installations, select flange kit.

Hard ceiling application, select hard ceiling kit.

### SENSORS (OPTIONAL)

SENSOR-BLE-7 Integral Microwave Bluetooth Wireless Motion/on/off/dimming/ photosensing.

SENSOR-ANT-7 Integral Microwave Motion/on/off/dimming/photosensing.

CONTROL-AVI-LVFA AVI-ON Bluetooth Mesh Controller.

### STANDARD FINISH

90% minimum average reflective white polyester powder coat bonded to phosphate-free, multi-stage pretreated metal. All parts painted after fabrication to facilitate installation, increase efficiency, and inhibit corrosion.

### CUSTOM FINISH

AkzoNobel Interpon 600 Series anti-microbial White / Clear coating for healthcare application.

### CERTIFICATION

Meets Buy America Act requirements.

IC Rated, suitable for Damp location.

All luminaires are built to UL1598 standards and bear appropriate cULus labels.

For Emergency application, equipment with UL924 certified battery packs.

DLC® Standard (DesignLights Consortium Listed)

### WARRANTY

5 year warranty, see Limited Warranty for additional information.



### SHIPPING DATA

Product	Measurement	Weight
LPA-G2-1 (4-pack)	49"L x 13"W x 6"H	23 lb
LPA-G2-2 (4-pack)	26"L x 26"W x 6"H	20 lb
LPA-G2-4 (4-pack)	49"L x 26"W x 6"H	38 lb



**LPA SERIES G2 SELECTABLE BACKLIT PANEL**

**ORDER INFORMATION** **EXAMPLE: LPA G2 2 BACKLIT**

<b>Fixture</b>	<b>Series</b>	<b>Model</b>	<b>Finish</b>	<b>Input</b>
	<b>LPA-G2</b>			<b>blank</b>

**Mounting**

**Accessories  
Options**

**A SERIES**

**LPA-G2**      Selectable Lumen and CCT Panel, Generation 2

**B MODEL**

<b>Code</b>	<b>Size</b>	<b>Power</b>	<b>CCT</b>	<b>lm/W (avg.)</b>
<b>1-BACKLIT</b>	1x4	20W / 25W / 30W / 35W / 40W	3000K / 3500K / 4000K / 5000K / 6500K	110lm/W
<b>2-BACKLIT</b>	2x2	20W / 25W / 30W / 35W / 40W	3000K / 3500K / 4000K / 5000K / 6500K	110lm/W
<b>4-BACKLIT</b>	2x4	25W / 30W / 35W / 40W / 50W	3000K / 3500K / 4000K / 5000K / 6500K	110lm/W

**C FINISH**

<b>WH</b>	White
<b>AMP</b>	Antimicrobial White Finish, AkzoNobel Interpon 600 Series Anti-Microbial White / Clear coating for healthcare application

**D INPUT**

**blank**      120-277V, 0-10V Dimming w/12V AUX Output

**E MOUNTING**

<b>blank</b>	Standard lay-in
<b>MOUNT-LP-14-FGK</b>	1x4 Flange Kit (Plaster, Sheetrock or Drywall)
<b>MOUNT-LP-22-FGK</b>	2x2 Flange Kit (Plaster, Sheetrock or Drywall)
<b>MOUNT-LP-24-FGK</b>	2x4 Flange Kit (Plaster, Sheetrock or Drywall)
<b>MOUNT-LP-14-SMK</b>	1x4 Surface Mount Kit for LPA-1
<b>MOUNT-LP-22-SMK</b>	2x2 Surface Mount Kit for LPA backlit
<b>MOUNT-LP-24-SMK</b>	2x4 Surface Mount Kit for LPA backlit
<b>MOUNT-LP-PMK</b>	Aircraft Cable Pendant Mount

**F ACCESSORIES/OPTIONS**

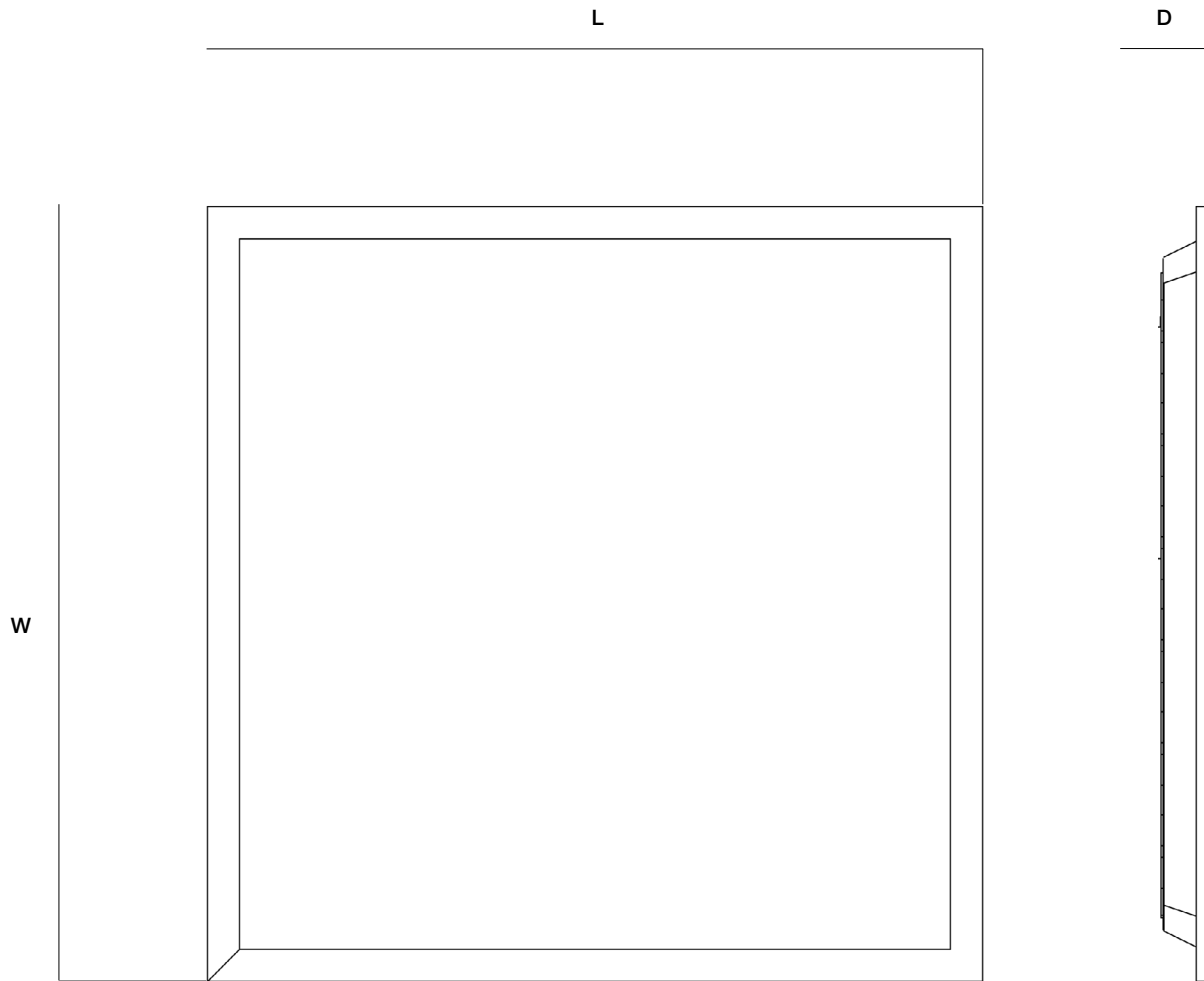
<b>AIA</b>	Assembled in America, compliant with BAA (COTS)
<b>EMB-H08170*</b>	External EMB 8W
<b>EMB-H18170*</b>	External EMB 18W
<b>SENSOR-BLE-7*</b>	Integral Microwave Bluetooth Wireless Bi-Level Motion Sensor (ALS Control Mobile App)
<b>SENSOR-ANT-7*</b>	Integral Microwave Bi-Level Motion Sensor
<b>CONTROL-AVI-LVFA*</b>	AVI-ON Bluetooth Mesh Control System
<b>REMOTE-RC100</b>	Handheld Remote Commissioning Tool for SENSOR-ANT (1 per job)
<b>-C</b>	6-Foot Flex

\*see page 5 for sensor and emb spec

**LPA SERIES G2 SELECTABLE BACKLIT PANEL**

**DIMENSIONS**

Model	L	W	D
LPA-G2-1	47.80" (1213mm)	11.90" (301mm)	1.50" (38mm)
LPA-G2-2	23.70" (603mm)	23.70" (603mm)	1.50" (38mm)
LPA-G2-4	47.80" (1213mm)	23.70" (603mm)	1.50" (38mm)



**LPA SERIES G2 SELECTABLE BACKLIT PANEL**

**PERFORMANCE DATA - LPA-G2**

SYSTEM WATTS	SIZE	VOLTAGE	LUMEN	LPW	QTY ON PALLET
20W	LPA-G2-1-BACKLIT LPA-G2-2-BACKLIT	120-277V	2200	110	LPA-G2-1-BACKLIT - 120 pcs LPA-G2-2-BACKLIT - 144 pcs
25W	LPA-G2-1-BACKLIT LPA-G2-2-BACKLIT LPA-G2-4-BACKLIT	120-277V	2775	110	LPA-G2-1-BACKLIT - 120 pcs LPA-G2-2-BACKLIT - 144 pcs LPA-G2-4-BACKLIT - 72 pcs
30W	LPA-G2-1-BACKLIT LPA-G2-2-BACKLIT LPA-G2-4-BACKLIT	120-277V	3360	110	LPA-G2-1-BACKLIT - 120 pcs LPA-G2-2-BACKLIT - 144 pcs LPA-G2-4-BACKLIT - 72 pcs
35W	LPA-G2-1-BACKLIT LPA-G2-2-BACKLIT LPA-G2-4-BACKLIT	120-277V	3850	110	LPA-G2-1-BACKLIT - 120 pcs LPA-G2-2-BACKLIT - 144 pcs LPA-G2-4-BACKLIT - 72 pcs
40W	LPA-G2-1-BACKLIT LPA-G2-2-BACKLIT LPA-G2-4-BACKLIT	120-277V	4440	111	LPA-G2-1-BACKLIT - 120 pcs LPA-G2-2-BACKLIT - 144 pcs LPA-G2-4-BACKLIT - 72 pcs
50W	LPA-G2-4-BACKLIT	120-277V	5600	112	LPA-G2-4-BACKLIT - 72 pcs

**DLC CODE**

Part Number	DLC Product ID	DLC Class
LPA-G2-1-BACKLIT (1x4)	S-EKCAUX	Standard
LPA-G2-2-BACKLIT (2x2)	S-JQ6VLX	Standard
LPA-G2-4-BACKLIT (2x4)	S-V8JOA2	Standard

**LPA SERIES G2 SELECTABLE BACKLIT PANEL**

**SENSOR SPEC**

Model	Type	Mounting	Coverage	Input	Function	Programmable
SENSOR-BLE-7 (see page 7 for detail)	Microwave	up to 13FT	17FT radius	12V DC	Bluetooth Mesh On/Off/Dimming Motion Daylight Sensing	ALS Control Bluetooth Mobile App
SENSOR-ANT-7	Microwave	up to 12FT	17FT radius	10V DC	On/Off/Dimming Motion Daylight Sensing	REMOTE-RC100
CONTROL-AVI-LVFA (see page 6 for detail)	Fixture Controller	-	-	12V DC	Bluetooth Mesh On/Off/Dimming Scheduling	AVI-ON Bluetooth Mobile App

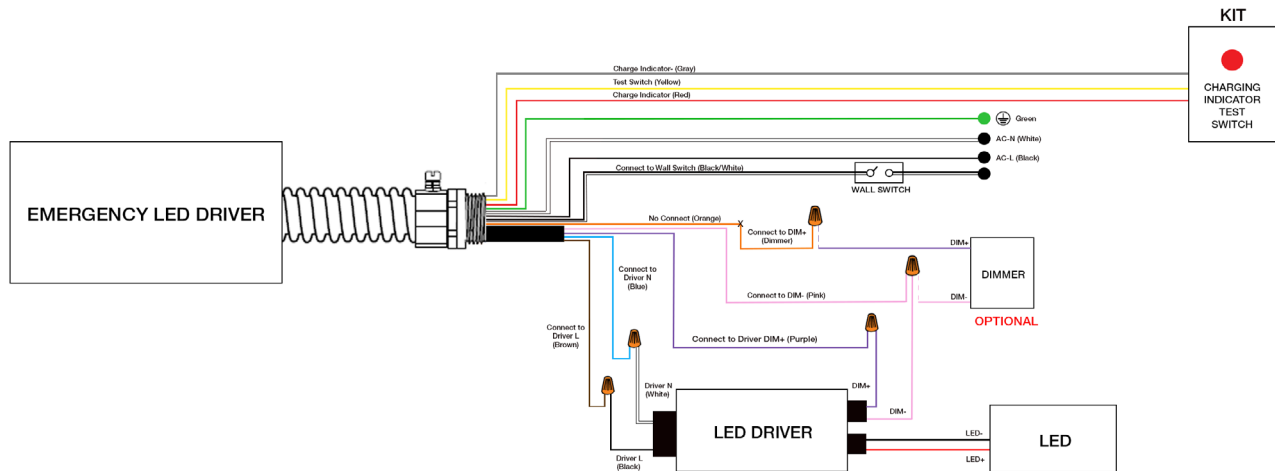


SENSOR-BLE-7  
 SENSOR-ANT-7

CONTROL-AVI-LVFA

**EMB SPEC**

Model	Battery Capacity	Input	Output	Output Power	Operating Temp	Installation
EMB-H08170	90mins	100-347VAC	170VDC	8W	0°C ~ 50°C 32°F ~ 122°F	Factory or Field Install
EMB-H18170	90mins	100-347VAC	170VDC	18W	0°C ~ 50°C 32°F ~ 122°F	Factory or Field Install



**LPA SERIES G2 SELECTABLE BACKLIT PANEL**

**CONTROL-AVI-LVFA SPEC**

**Status LEDs & Config Button**

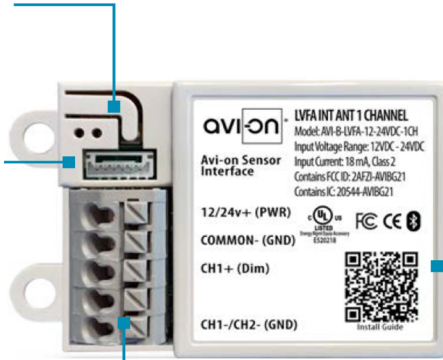
Quick and easy validation of wiring and network

**Direct Connect™ Sensor Port**

Simple and cost-effective addition to Avi-on sensors

**Terminal Blocks & Mounting Tabs**

Faster, easier and lower cost installation eliminating connectors



**Internal Antenna**

Improved performance and eliminates risk of accidentally cutting a hanging wire

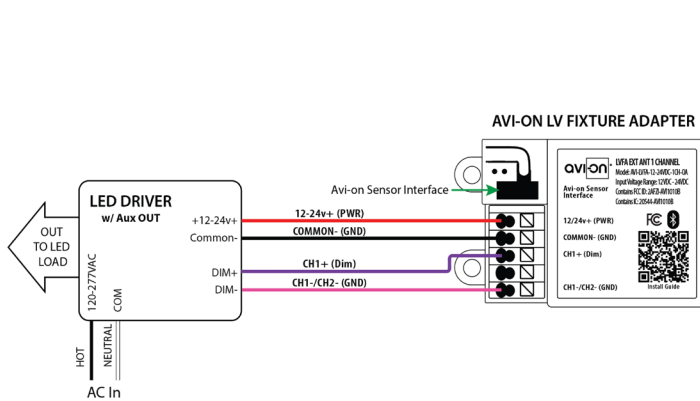
**SPECIFICATIONS**

**INPUT VOLTAGE:** 12-24VDC  
**CURRENT:** 15mA without a Sensor  
 19mA with a DC PIR Sensor  
 48mA with a DC Microwave Sensor  
**0-10V DIMMING:** 12-24VDC  
**SIZE:** 2.30in x 1.43in x 0.75in  
 (58.2mm x 36.4mm x 19mm)  
**MOUNTING:** Removable mounting tabs  
**WEIGHT:** 0.45 oz (16g)  
**OPERATING TEMP:** -22°F to +158°F (-30°C to + 70°C)

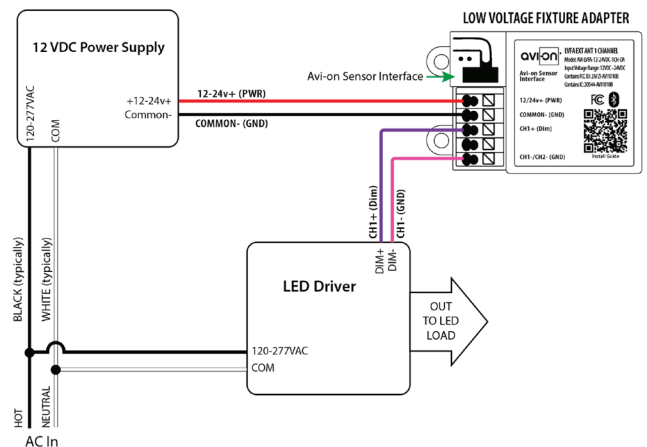
**RADIO FREQUENCY:** 2.4GHz  
**WIRELESS STANDARD:** BLE 4.2 with Mesh  
**POINT TO POINT RANGE\*:** 80ft with obstructions  
 350ft unobstructed  
**SECURITY:** AES 128-bit encryption for device to device communication  
 AES 256-bit encryption for device to cloud communication  
**WARRANTY:** 5 years; 10 years optional  
**REGULATORY:** FCC: 2AFZI-AVI1010 B  
 IC: 20544-AVI1010 B  
 BQB: D031801, DID: 86303  
 UL 916, 2043 (Plenum Rated)

\*When communicating through the mesh, range is essentially unlimited (5000ft+)

**WIRING DIAGRAM**



Fixture adapter powered by LED driver auxiliary output



Fixture adapter connected to LED driver and using power supply

**FEATURE**

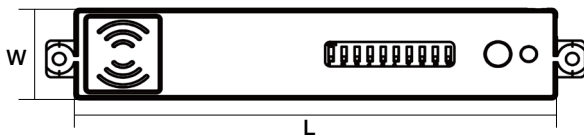
- **Installation:** Factory Install - Integral to Fixture
- **Commissioning:** Wirelessly through ALS Control Mobile App (iOS / Android)
- **Certification:** DLC 5.1 Networked Lighting Control System
- **Control:** Hold time, High-Low setting, continuous Bi-level dimming, Code-compliant manual-on or auto-off capability
- **Sensor:** Motion (Occupancy/Vacancy/Manual)
- **Room and Zone Control:** Zoning and Grouping control, Scheduling



**SPECIFICATIONS**

<b>SENSOR TYPE:</b>	Microwave	<b>COMMISSIONING RANGE:</b>	50FT
<b>WIRELESS STANDARDS:</b>	Bluetooth SIG Mesh	<b>BLUETOOTH RANGE:</b>	Integral antenna up to 164FT
<b>INPUT VOLTAGE:</b>	10-14VDC, >50mA	<b>DETECTION ANGLE:</b>	360°
<b>CONTROL OUTPUT:</b>	0-10V	<b>MOUNTING HEIGHT:</b>	Up to 13FT
<b>OPERATING TEMP:</b>	-40°F ~ +158°F (-40°C ~ +70°C)	<b>WARRANTY:</b>	5 years
		<b>IP RATING:</b>	IP20

**DIMENSIONS**



L	W
3.70" (94mm)	0.73" (18.5mm)

**COVERAGE PATTERNS**

