



VTA SERIES VAPOR TIGHT LINEAR

Client:
Project:
Type:
Quantity:

CONSTRUCTION

ABS material housing, compact design with semi-gloss White finish. 3/4" knockout back and end of housing for end mount sensor, through wiring or surface conduit mount.

OPTICS

End-to-end diffused polycarbonate (PC) lens.

ELECTRICAL

Delivered average 135lm/W efficacy LEDs offer 80+ color rendering index (CRI).
Field Selectable Output and CCT (see ordering information for detail).
L70 >100,000 hours expected life.
-40°C up to 45°C (-40°F up to 113°F) maximum operating temperature.
Driver operates at 120-277V input, 0-10V dimmable driver, down to 10%.

MOUNTING

Designed for direct wire or as a portable luminaire with use of power cord.*
Standard surface mountable underneath electrical box, or surface conduit mount through 3/4" knockout.

SENSORS (OPTIONAL)

SENSOR-819-O2 End mount on/off motion sensor highbay lens.
SENSOR-819-D2 End mount programmable motion and photocell sensor highbay lens.
SENSOR-BLE-819 End mount ALS CONTROL bluetooth on/off motion sensor lowbay lens.
CONTROL-LVFA AVI-ON Bluetooth Mesh Controller.
SENSOR-PH-PB-U Integral Button Style Photocell.

STANDARD FINISH

Semi-gloss White finish standard, IP66 for wet location.

CERTIFICATION

IP66 Wet location label standard.
Meets Buy America Act requirements.
All luminaires are built to UL1598 standards and bear appropriate cULus labels.
For Emergency application, equipment with UL924 certified battery packs.
DLC® Premium (DesignLights Consortium Qualified).

WARRANTY

5 year warranty, see Limited Warranty for additional information.



SHIPPING DATA

Product	Measurement	Weight
VTA-30	27"L x 6"W x 4"H	4 lb
VTA-45	52"L x 6"W x 4"H	6 lb
VTA-90	96"L x 6"W x 4"H	12 lb



VTA SERIES VAPOR TIGHT LINEAR

ORDER INFORMATION				EXAMPLE: VTA 45 50 WH UD	
Fixture	Series	Power & LM	CCT	Finish	Input
	VTA			WH	UD
Accessories Options					

A SERIES

VTA Vapor Tight Linear Field Selectable Output & CCT

B POWER & LM

Code	Size	Power	LM
30	2-Foot	Field Selectable 20/25/30W	2872 ~ 4021
45	4-Foot	Field Selectable 34/38/45W	4941 ~ 6494
90	8-Foot	Field Selectable 65/75/90W	9295 ~ 12364

C CCT

SC Field Selectable 3500K / 4000K / 5000K

D FINISH

WH White

E INPUT

UD 110-277V, 0-10V Dimmable

F ACCESSORIES/OPTIONS

AIA	Assembled in America, Compliant with BAA (COTS)
MOUNT-VT-HOOK	V Hook Mount - Chain Provided by Others
EMB-EMS8W27**	High Voltage Output Smart Emergency Battery 8W 100-347VAC Input 36-60VDC Output
EMB-EMS15W27**	High Voltage Output Smart Emergency Battery 15W 100-347VAC Input 36-150VDC Output
EMB-EMS20W27**	High Voltage Output Smart Emergency Battery 20W 100-347VAC Input 36-150VDC Output
REMOTE-RC100	Handheld Remote Commissioning Tool for SENSOR-819-D1/D2 Only
SENSOR-819-O2*	End Mount On/Off Motion Sensor Highbay Lens
SENSOR-819-D2*	End Mount On/Off/Dimming and Photocell Sensor Highbay Lens
SENSOR-BLE-819-L1*	End Mount PIR Bluetooth Daylight Harvesting Sensor (ALS Control Mobile App) / L1: up to 20FT
SENSOR-PH-PB-U*	Button Style Photocell
CONTROL-LVFA*	AVI-ON Bluetooth Mesh Control System
SURGE-LSP4-U	10kV Surge Protector
-PLUG	6-Foot Black Cord and Plug (3-Prong)
-CORD	18-3 300V 6 Foot Cord
TWIST-LOCK	Specify Plug Type: L515P / L715P / HBL5929 / L8-20P

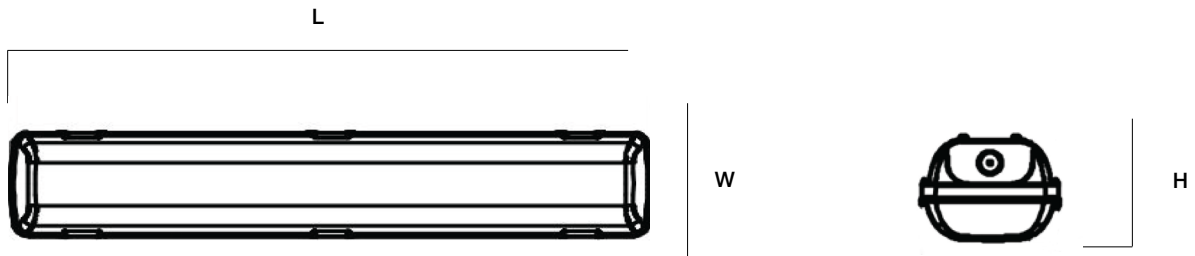
*see page 4 for sensor spec

**see page 5 for emb spec

VTA SERIES VAPOR TIGHT LINEAR

DIMENSIONS

Model	L	W	H
VTA-30	24.80" (630mm)	5.00" (127mm)	3.50" (89mm)
VTA-45	45.80" (1240mm)	5.00" (127mm)	3.50" (89mm)
VTA-90	96.80" (2459mm)	5.00" (127mm)	3.50" (89mm)



VTA SERIES VAPOR TIGHT LINEAR

PERFORMANCE DATA

SYSTEM WATTS	CCT	VOLTAGE	LUMEN	LPW	QTY ON PALLET	DLC PRODUCT ID / ORDER CODE	DLC CLASS
45W	4000K	120-277V	5,400	120	72	MVT0345W27V40K[W,D,B][Blank,M][Blank,B]PG[Blank,0-9,A-Z,a-z] Product ID: PWIGMDIW	DLC 5.1 Premium
	5000K	120-277V	5,445	121	72	MVT0345W27V50K[W,D,B][Blank,M][Blank,B]PG[Blank,0-9,A-Z,a-z] Product ID: PP0TCD92	DLC 5.1 Premium
90W	4000K	120-277V	10,800	120	72	MVT0395W27V40K[W,D,B][Blank,M][Blank,B]PG[Blank,0-9,A-Z,a-z] Product ID: P14S0IUY	DLC 5.1 Premium
	5000K	120-277V	10,980	122	72	MVT0395W27V50K[W,D,B][Blank,M][Blank,B]PG[Blank,0-9,A-Z,a-z] Product ID: PQJKP0D2	DLC 5.1 Premium

SENSOR SPEC

Model	Type	Mounting	Coverage	Input	Function	Programmable
SENSOR-819-O2	PIR	40FT	30FT radius	Universal	On/Off	-
SENSOR-819-D2	PIR	40FT	30FT radius	Universal	On/Off/Dimming	REMOTE-RC100
SENSOR-BLE-819 (see page 7 for detail)	PIR	L1 - 20FT	30FT radius	Universal	Bluetooth Mesh On/Off/Dimming Daylight Harvesting	ALS Control Bluetooth Mobile App
CONTROL-LVFA (see page 6 for detail)	Fixture Controller	-	-	12V DC	Bluetooth Mesh On/Off/Dimming Scheduling	AVI-ON Bluetooth Mobile App
SENSOR-PH-PB-U	-	-	-	Universal	Dusk-to-Dawn Control	-



SENSOR-819-XX
 SENSOR-BLE-819



CONTROL-LVFA

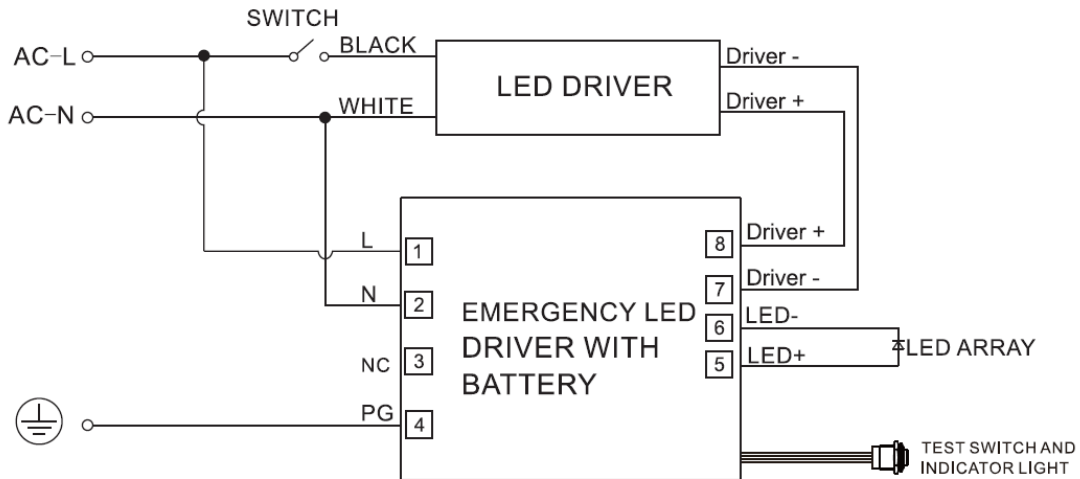


SENSOR-PH-PB-U

VTA SERIES VAPOR TIGHT LINEAR

EMB SPEC

Model	Battery Capacity	Input	Output	Output Power	Operating Temp	Installation
EMB-EMS8W27	90mins	100-347VAC	36-60VDC	8W	5°C ~ 50°C 41°F ~ 122°F	Field or Factory Install
EMB-EMS15W27	90mins	100-347VAC	36-150VDC	15W	5°C ~ 50°C 41°F ~ 122°F	Field or Factory Install
EMB-EMS20W27	90mins	100-347VAC	36-150VDC	20W	0°C ~ 40°C 32°F ~ 104°F	Field or Factory Install



VTA SERIES VAPOR TIGHT LINEAR

CONTROL-LVFA SPEC

Status LEDs & Config Button

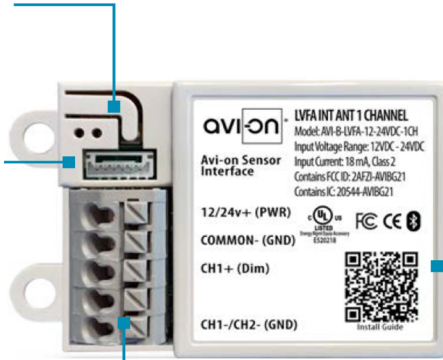
Quick and easy validation of wiring and network

Direct Connect™ Sensor Port

Simple and cost-effective addition to Avi-on sensors

Terminal Blocks & Mounting Tabs

Faster, easier and lower cost installation eliminating connectors



Internal Antenna

Improved performance and eliminates risk of accidentally cutting a hanging wire

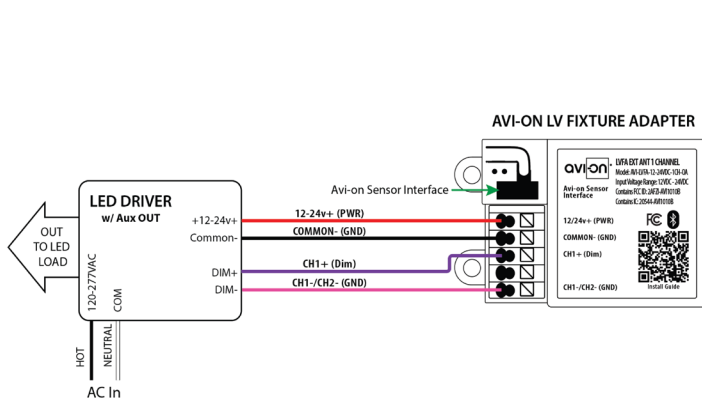
SPECIFICATIONS

INPUT VOLTAGE: 12-24VDC
CURRENT: 15mA without a Sensor
 19mA with a DC PIR Sensor
 48mA with a DC Microwave Sensor
0-10V DIMMING: 12-24VDC
SIZE: 2.30in x 1.43in x 0.75in
 (58.2mm x 36.4mm x 19mm)
MOUNTING: Removable mounting tabs
WEIGHT: 0.45 oz (16g)
OPERATING TEMP: -22°F to +158°F (-30°C to + 70°C)

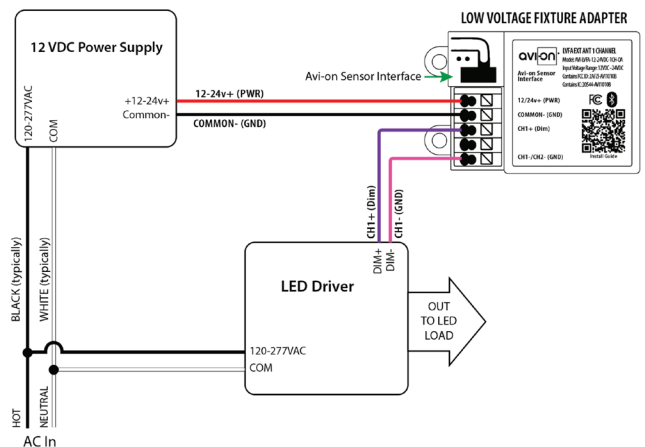
RADIO FREQUENCY: 2.4GHz
WIRELESS STANDARD: BLE 4.2 with Mesh
POINT TO POINT RANGE*: 80ft with obstructions
 350ft unobstructed
SECURITY: AES 128-bit encryption for device to device communication
 AES 256-bit encryption for device to cloud communication
WARRANTY: 5 years; 10 years optional
REGULATORY: FCC: 2AFZI-AVI1010 B
 IC: 20544-AVI1010 B
 BQB: D031801, DID: 86303
 UL 916, 2043 (Plenum Rated)

*When communicating through the mesh, range is essentially unlimited (5000ft+)

WIRING DIAGRAM



Fixture adapter powered by LED driver auxiliary output



Fixture adapter connected to LED driver and using power supply

FEATURE

- **Installation:** Factory or Field Install End Mount to Fixture
- **Commissioning:** Wirelessly through ALS Control Mobile App (iOS / Android)
- **Certification:** DLC 5.1 Networked Lighting Control System
- **Control:** Hold time, High-Low setting, continuous Bi-level dimming, Code-compliant manual-on or auto-off capability
- **Sensor:** Motion (Occupancy/Vacancy/Manual) and Daylight Harvesting
- **Room and Zone Control:** Zoning and Grouping control, Scheduling

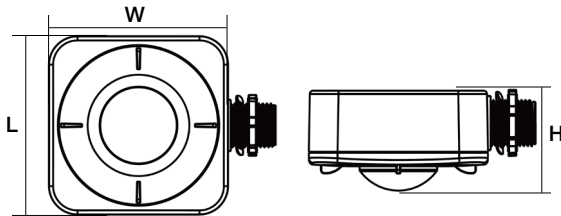


SPECIFICATIONS

SENSOR TYPE: Passive Infrared Sensor (PIR)
WIRELESS STANDARDS: Bluetooth SIG Mesh
INPUT VOLTAGE: 120/277VAC
CONTROL OUTPUT: 0-10V
OPERATING TEMP: -40°F ~ +167°F (-40°C ~ +75°C)

COMMISSIONING RANGE: 50FT
BLUETOOTH RANGE: Intergral antenna up to 100FT
DETECTION ANGLE: Vertical 90° x Horizontal 360°
MOUNTING HEIGHT: 8 - 40FT
WARRANTY: 5 years
IP RATING: IP20 Damp

DIMENSIONS



L	W	H
3.19" (81mm)	4.02" (102mm)	1.70" (43.3mm)

COVERAGE PATTERNS

