

**PTL SERIES DECORATIVE POST TOP**

Client:  
 Project:  
 Type:  
 Quantity:

**CONSTRUCTION**

HOUSING + COVER: Hinged die-cast aluminum housing and cover with cupola.  
 EPA: 2.015

**OPTICS**

Injection-molded polycarbonated optic lens available with Type III and V distribution.  
 Frosted temper glass allows clarity and resistance to the gradual discoloration that results from exposure to sunlight.

**ELECTRICAL**

80+ CRI Lumileds available for 5000K CCT.  
 Optional CCT Selectable model available - see Ordering Information.  
 -40°C up to 45°C\* (-40°F up to 113°F) maximum operating temperature.  
 L70 @ 105C > 60,000hrs | L70 @ 40C >200,000hrs.  
 50/60Hz, <20% THD, 0.9 power factor.  
 Driver operates at 120-277V input, 0-10V dimmable driver.  
 Optional 10kV surge protection.  
 Optional 347/480V input.

**SENSOR (OPTIONAL)**

SENSOR-PH-PT-U/H Twist lock dimming/non-dimming photocontrol.

**MOUNTING**

Self-aligning pole-top fitter fits 2-3/8" O.D. pole tops or vertical tenons.  
 Optional 3", 4" and 5" tenon adapter.

**STANDARD FINISH**

Corrosion resistant Black powder coating finish.

**CUSTOM FINISH**

Corrosion resistant Dark Bronze, Graphite Metallic, Gray, Silver, White, Custom RAL#

**CERTIFICATION**

IP65 Wet location label standard.  
 Meets Buy America Act requirements.  
 IDA compliant: with 3000K color temperature selection.  
 All luminaires are built to UL1598 standards and bear appropriate cETLus labels.  
 DLC® (DesignLights Consortium Qualified).

**WARRANTY**

5 year warranty, see Limited Warranty for additional information.



PTL w/Optional Twist Lock Photocell



**SHIPPING DATA**

| Product | Measurement        | Weight |
|---------|--------------------|--------|
| PTL-30  | 16"L x 16"W x 20"H | 28 lb  |
| PTL-60  | 16"L x 16"W x 20"H | 28 lb  |
| PTL-100 | 16"L x 16"W x 20"H | 30 lb  |
| PTL-120 | 16"L x 16"W x 20"H | 30 lb  |



**PTL SERIES DECORATIVE POST TOP**

| ORDER INFORMATION |            |            |     | EXAMPLE: PTL 60 SC T5 SF3 BK UD |            |        |           |
|-------------------|------------|------------|-----|---------------------------------|------------|--------|-----------|
| Fixture           | Series     | Power & LM | CCT | Distribution                    | Mounting   | Finish | Input     |
|                   | <b>PTL</b> |            |     | <b>5M</b>                       | <b>SF3</b> |        | <b>UD</b> |
| Accessories       |            |            |     |                                 |            |        |           |
| Options           |            |            |     |                                 |            |        |           |

**A SERIES**

PTL Decorative Post Top

**B POWER & LM**

| Code | Power | LM     |
|------|-------|--------|
| 120  | 120W  | 13,800 |

**B POWER & LM**

| Code | Power | LM     |
|------|-------|--------|
| 30   | 30W   | 3,300  |
| 60   | 60W   | 6,600  |
| 100  | 100W  | 11,500 |

**C CCT**

|    |       |
|----|-------|
| 40 | 4000K |
| 50 | 5000K |

**C CCT**

**SC** Selectable 3000K / 4000K / 5000K

**D DISTRIBUTION**

|    |                 |
|----|-----------------|
| 3M | Type III Medium |
| 5M | Type V Medium   |

**E MOUNTING**

**SF3** Self-aligning pole-top fitter fits 2-3/8" ~ 3" O.D.

**F FINISH**

Standard

**BK** Black

Custom Color

|           |                       |                             |                |
|-----------|-----------------------|-----------------------------|----------------|
| <b>CC</b> | <b>DB</b> Dark Bronze | <b>GM</b> Graphite Metallic | <b>GR</b> Gray |
|           | <b>SV</b> Silver      | <b>WH</b> White             | <b>RAL#</b>    |

**G INPUT**

|           |                          |          |            |
|-----------|--------------------------|----------|------------|
| <b>UD</b> | 110-277V, 0-10V Dimmable | <b>H</b> | 347V, 480V |
|-----------|--------------------------|----------|------------|

**H ACCESSORIES/OPTIONS**

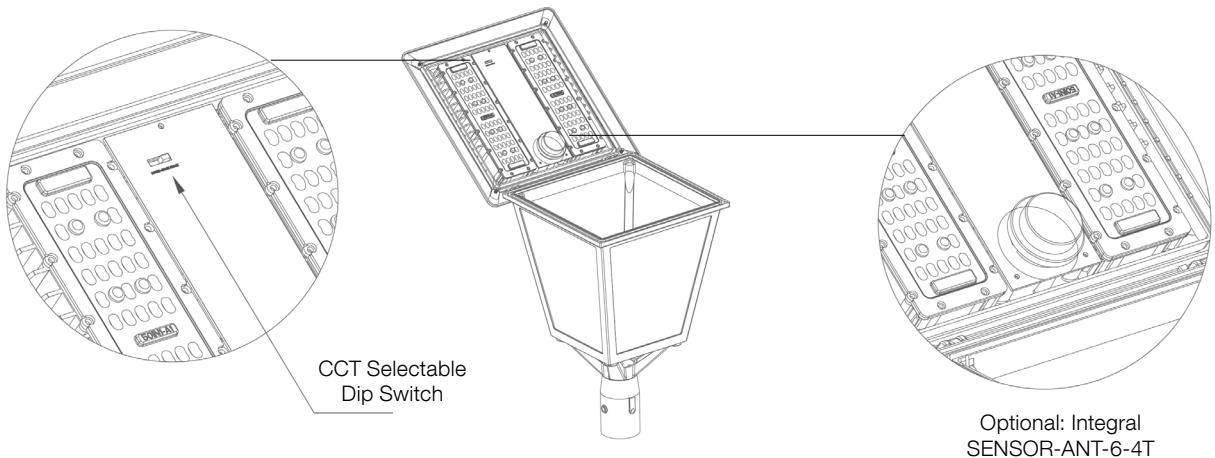
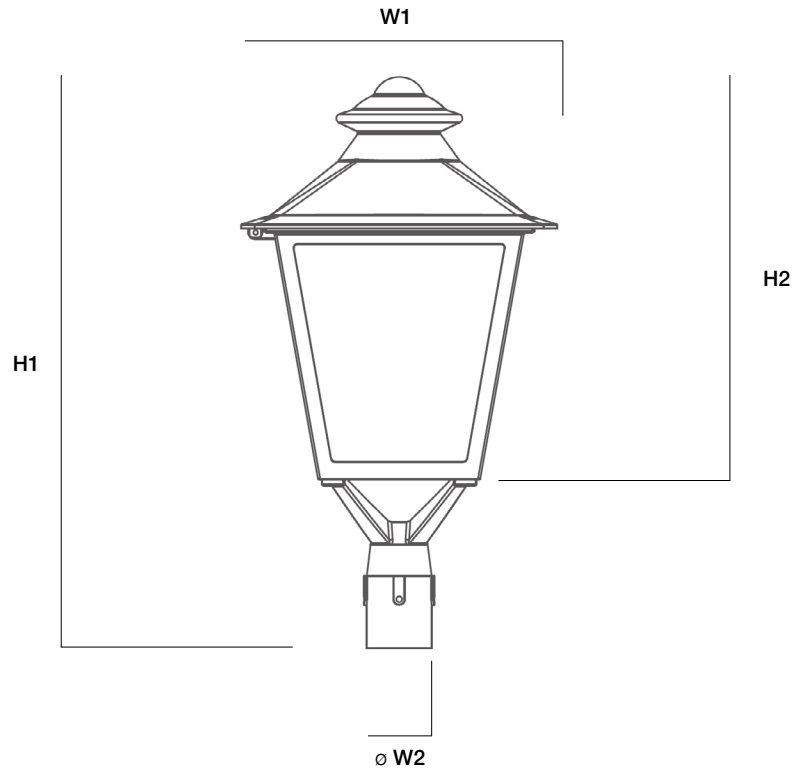
|                                  |   |
|----------------------------------|---|
| <b>AIA</b>                       | Assembled in America, compliant with BAA (COTS)   |
| <b>SENSOR-PH-PT-U / UD / HD*</b> | Twist Lock Photocell / <b>U:</b> 120-277V, <b>UD:</b> 120-277V, <b>HD:</b> 480V input       |
| <b>SURGE-LSP4-U / H</b>          | 10kV inline Surge Protection for Universal input / <b>U:</b> 120-277V, <b>H:</b> 480V input |
| <b>MOUNT-4SQR-SP-D</b>           | 4" Tenon Adapter for Round Pole   |
| <b>MOUNT-5SQR-SP-D</b>           | 5" Tenon Adapter for Round Pole   |
| <b>MOUNT-4SQ-SP-D</b>            | 4" Tenon Adapter for Square Pole  |
| <b>MOUNT-5SQ-SP-D</b>            | 5" Tenon Adapter for Square Pole  |

\*see page 4 for sensor spec

**PTL SERIES DECORATIVE POST TOP**

**DIMENSIONS**

| Model                   | H1             | H2             | W1             | W2                  |
|-------------------------|----------------|----------------|----------------|---------------------|
| PTL-30 / 60 / 100 / 120 | 24.90" (643mm) | 17.55" (445mm) | 13.78" (350mm) | ø 3.18" I.D. (76mm) |



**PTL SERIES DECORATIVE POST TOP**

**DLC CODE**

| Part Number                       | DLC Product ID  | DLC Class |
|-----------------------------------|---|-----------|
| PTL-30 SC XX SF3 XX UNVD @ 3000K  | OEM SKU# YR-TP350-W30-[P1;P2;M;PM;PN]-C3-[Z1;Z2](3000K)<br>DLC Code: PX1SNM90   | Standard  |
| PTL-30 SC XX SF3 XX UNVD @ 4000K  | OEM SKU# YR-TP350-W30-[P1;P2;M;PM;PN]-C3-[Z1;Z2](4000K)<br>DLC Code: P0HABEIP   | Standard  |
| PTL-30 SC XX SF3 XX UNVD @ 5000K  | OEM SKU# YR-TP350-W30-[P1;P2;M;PM;PN]-C3-[Z1;Z2](5000K)<br>DLC Code: PCDUUTPD   | Standard  |
| PTL-60 SC XX SF3 XX UNVD @ 3000K  | OEM SKU# YR-TP350-W60-[P1;P2;M;PM;PN]-C3-[Z1;Z2](3000K)<br>DLC Code: PSD6ZU04   | Standard  |
| PTL-60 SC XX SF3 XX UNVD @ 4000K  | OEM SKU# YR-TP350-W60-[P1;P2;M;PM;PN]-C3-[Z1;Z2](4000K)<br>DLC Code: P9WBPGYC   | Standard  |
| PTL-60 SC XX SF3 XX UNVD @ 5000K  | OEM SKU# YR-TP350-W60-[P1;P2;M;PM;PN]-C3-[Z1;Z2](5000K)<br>DLC Code: PJVAT76K   | Standard  |
| PTL-100 SC XX SF3 XX UNVD @ 3000K | OEM SKU# YR-TP350-W100-[P1;P2;M;PM;PN]-C3-[Z1;Z2](3000K)<br>DLC Code: PS0DD77N  | Standard  |
| PTL-100 SC XX SF3 XX UNVD @ 4000K | OEM SKU# YR-TP350-W100-[P1;P2;M;PM;PN]-C3-[Z1;Z2](4000K)<br>DLC Code: PKKYD0SF  | Standard  |
| PTL-100 SC XX SF3 XX UNVD @ 5000K | OEM SKU# YR-TP350-W100-[P1;P2;M;PM;PN]-C3-[Z1;Z2](5000K)<br>DLC Code: PWJTTEB18 | Standard  |

**SENSOR SPEC**

| Model  | Type | Mounting | Coverage | Input                   | Function             | Programmable |
|--|------|----------|----------|-------------------------|----------------------|--------------|
| SENSOR-PH-PT-U<br>SENSOR-PH-PT-UD<br>SENSOR-PH-PT-HD | -    | -        | -        | Universal<br>277 ~ 480V | Dusk-to-Dawn Control | -            |



SENSOR-PH-PT-U/UD    SENSOR-PH-PT-HD