



## EXM SERIES HAZARDOUS BAY LIGHT

Client:  
Project:  
Type:  
Quantity:

### CONSTRUCTION

Low copper aluminum alloy die-cast designed for oil and gas refineries, drilling rigs, petrochemical facilities, paint spray booths, and where flammable vapor, gas are present.

### OPTICS

Clear shock & vibration resistant, 95% high transmittance polycarbonate lens. Distributions beam angle 60°, 90°, 120°.



### ELECTRICAL

>70CRI LED, 50,000hr LED at L70.  
Scalable lumen package available 15,000 ~ 31,500lm.  
-40°C up to 65°C (-40°F up to 149°F) maximum operating temperature.  
Driver operates at 120-277V input, 50/60Hz, <20% THD, 0.9 power factor.  
0-10V / PWM / Rx 3-in-1 Dimming Driver.  
Built-in standard 6kV surge protection.  
Optional 347-480V input.  
Optional 20kV (120-277V input) or 40kV (347-480V input)

### MOUNTING

Yoke Mount as standard.  
Safety Steel Wire Standard.  
Optional ceiling mount (CM), pendant mount (PM), wall stanchion mount (ST), and round pole mount bracket (RP).

### STANDARD FINISH

Corrosion resistant Gray finish.

### SHIPPING DATA

Product	Measurement	Weight
EXM-100	15”L x 15”W x 12”H	18 lb
EXM-200	15”L x 15”W x 12”H	19 lb

### CERTIFICATION

IP68 Wet location label standard.  
Luminaires are built to UL844, UL1598A, CSA C22.2 No. 137, CSA C22.2 No. 250.0; standards and bear appropriate cULus labels.  
Class I, Div 2, Group A, B, C & D.  
Gas environment Zone 1 & Zone 2.  
Dust environment Zone 21 & Zone 22.  
IEC/EN 60079-0, 7, 28, 31

### WARRANTY

5 year warranty, see Limited Warranty for additional information.



**EXM SERIES HAZARDOUS BAY LIGHT**

**ORDER INFORMATION** **EXAMPLE: EXM 100 50 60 YM GR UD**

Fixture	Series	Power & LM	CCT	Mounting	Finish	Input
	<b>EXM</b>				<b>GR</b>	

Accessories  
Options

**A SERIES**

EXM Hazardous Bay Light

**B POWER & LM**

Code	Power	Lumen
100	100W	15,500lm
200	200W	31,500lm

Scalable lumen package, consult factory

**C CCT**

40	4000K
50	5000K

**D DISTRIBUTION**

60	60°
90	90°
120	120°

**D MOUNTING**

YM	Yoke Mount (Standard)
CM	Ceiling Mount with (4) Entry for 3/4" Conduit
PM	Pendant Mount for 3/4" NPT Conduit
ST	Wall Stanchion Mount with (4) Entry for 3/4" Conduit
RP	Round Pole Mount for 1-1/2" NPT or 1-1/4" NPT Round Pole

**E FINISH**

GR Corrosion resistant Gray finish.

**F INPUT**

UD	120-277V, 0-10V Dimming, PWM, Rx 3-in-1 Dimming
HD	347-480V, 0-10V Dimming, PWM, Rx 3-in-1 Dimming

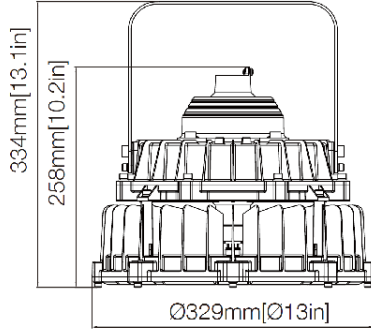
**G ACCESSORIES/OPTIONS**

AIA Assembled in America, compliant with BAA (COTS)

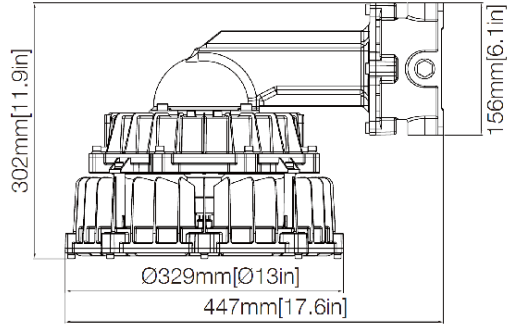
**EXM SERIES HAZARDOUS BAY LIGHT**

**DIMENSIONS - EXM-100 / 200**

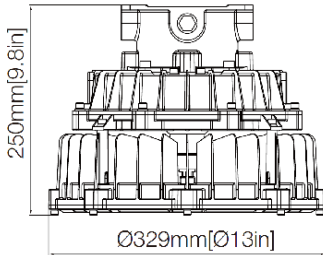
**Yoke Mount  
(YM)**



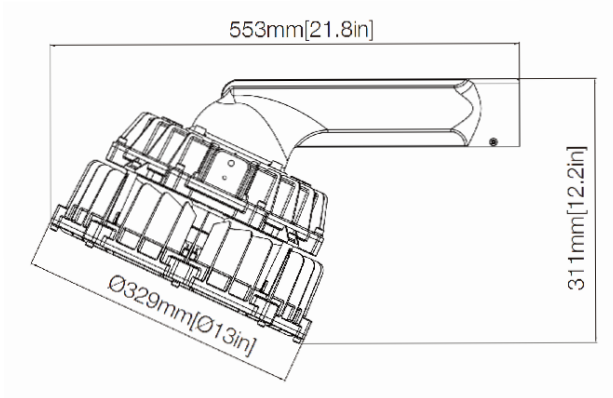
**Stanchion Mount  
(ST)**



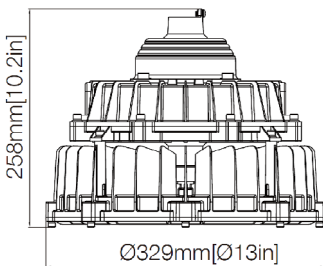
**Ceiling Mount  
(CM)**



**Round Pole Mount  
(RP)**



**Pendant Mount  
(PM)**





## EXM SERIES HAZARDOUS BAY LIGHT

### PERFORMANCE DATA

SYSTEM WATTS	VOLTAGE	4000K		5000K	
		LUMENS	LPW	LUMENS	LPW
100W	120-277V / 347-480V	15400	154	15500	154
200W	120-277V / 347-480V	31500	157	31500	157