

CPA SERIES SELECTABLE GARAGE LIGHT

Client:
 Project:
 Type:
 Quantity:

CONSTRUCTION

Rugged die-cast aluminum housing with corrosion resistant powder coat finish both protects and provides architectural appearance.

Heat dissipating fins provide superior thermal performance extending the life of the luminaire.

Feed-through wiring ready, 1/2" NPT threading with water tight cap.

OPTICS

Type V Distribution

Lightly diffused lens for reduced LED pixelation and glare.

ELECTRICAL

80+ CRI Lumileds LED.

-40°C up to 40°C (-40°F up to 104°F) maximum operating temperature

160,000 hr at L70 @ 25°C, 155,000 hr at L70 40°C.

Driver operates at 120-277V input, 50/60Hz, 1-10V dimming driver standard. Option to have dimming leads pulled out for easy connection.

<20% THD, 0.9 power factor.

Optional 10kV surge protector.

Optional Emergency Backup Battery.*

SENSORS (OPTIONAL)

SENSOR-819-O1 End mount on/off motion sensor with lowbay lens.

SENSOR-819-D1 End mount on/off/dimming and photocell sensor with lowbay lens.

SENSOR-BLE-819 End mount ALS CONTROL bluetooth on/off motion sensor lowbay lens.

SENSOR-BLE-7 Integral Microwave Bluetooth Wireless Motion/on/off/dimming/photosensing.

SENSOR-ANT-7 Integral Microwave Motion/on/off/dimming/photosensing.

CONTROL-LVFA AVI-ON Bluetooth Mesh Controller.

SENSOR-PH-PB-U Integral Button Style Photocell.

MOUNTING

3/4" conduit entry on top for pendant mount

1/2" conduit entry on three sides

Surface Mount plate for mounting on 3" - 4" electrical box

STANDARD FINISH

Corrosion resistant Dark Bronze and White powder coating finish.

CUSTOM FINISH

Corrosion resistant Black, Graphite Metallic, Gray, Silver, or custom RAL#.

CERTIFICATION

IP66 Wet location label standard.

Meets Buy America Act requirements.

Option for "BABAA" compliance upon request.

All luminaires are built to UL1598 standards and bear appropriate cULus labels.

For Emergency application, equipment with UL924 certified battery packs.

WARRANTY

5 year warranty, see Limited Warranty for additional information.



Dark Bronze Finish



White Finish

SHIPPING DATA

Product	Measurement	Weight
CPA-60	11"L x 11"W x 4"H	5.6 lb
CPA-110	13"L x 13"W x 4"H	6.5 lb



CPA SERIES SELECTABLE GARAGE LIGHT

ORDER INFORMATION **EXAMPLE : CPA 40 50 PL JM DB UD**

Fixture	Series	Power & LM	CCT	Distribution	Mounting	Finish	Input
	CPA		SC	PL	JM		

A SERIES

CPA Garage Light Selectable

B POWER & LM

Code	Power	LM
60	Field Selectable 24 / 36 / 47 / 60W	8,000lm
110	Field Selectable 41 / 63 / 85 / 110W	16,000lm

C CCT

SC Field Selectable 3000 / 4000 / 5000K

D DISTRIBUTION

PL Prismatic Lens

E MOUNTING

JM Surface Mount (3/4" conduit entry on top)

F FINISH

Standard							
DB	Dark Bronze		WH	White			
Custom Color							
CC	BK	Black	GM	Graphite Metallic	GR	Gray	
	SV	Silver	RAL#				

G INPUT

U 110-277V
 UD 110-277V, 0-10V Dimmable

CPA SERIES SELECTABLE GARAGE LIGHT

ORDER INFORMATION (CONTINUED)

Accessories
 Options

H ACCESSORIES/OPTIONS

AIA	Assembled in America, compliant with BAA (COTS)
BABAA	Build America, Buy America Act (BABAA) Compliant
EMB-CPBOX-8W-MST**	External battery enclosure with 8W Emergency Battery
SENSOR-PH-PB-U*	Button Style Photocell
SENSOR-819-O1-L1 / L2*	End mount on/off motion sensor w/lowbay lens / L1: up to 20FT, L2: up to 40FT
SENSOR-819-D1-L1 / L2*	End mount on/off/dimming and photocell sensor with lowbay lens / L1: up to 20FT, L2: up to 40FT
SENSOR-BLE-819-L1*	End Mount PIR Bluetooth Daylight Harvesting Sensor (ALS Control Mobile App) / L1: up to 20FT
SENSOR-BLE-7*	Integral Microwave Bluetooth Wireless Bi-Level Motion Sensor (ALS Control Mobile App)
SENSOR-ANT-7*	Integral Microwave Bi-Level Motion Sensor
CONTROL-LVFA*	AVI-ON Bluetooth Mesh Control System
SURGE-LSP4-U	10kV inline Surge Protection for Universal input
REMOTE-RC100	Handheld Remote Commissioning Tool for SENSOR-819-D1/D2 Only, ANT Series

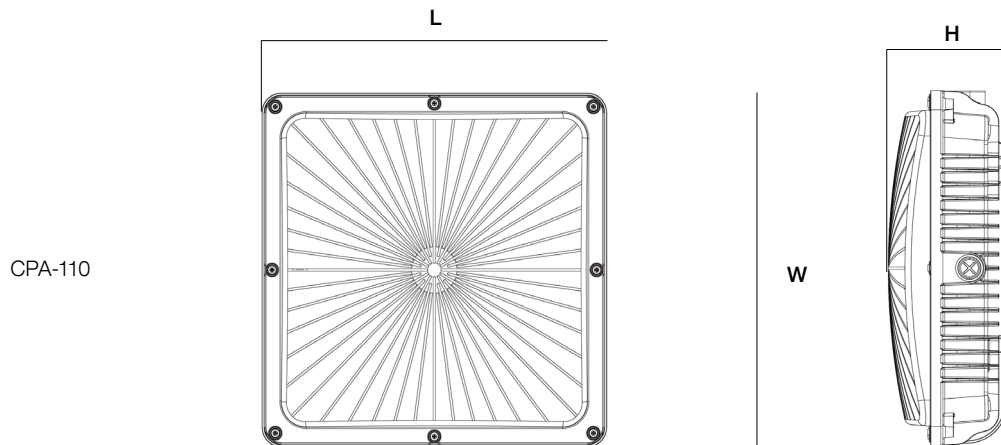
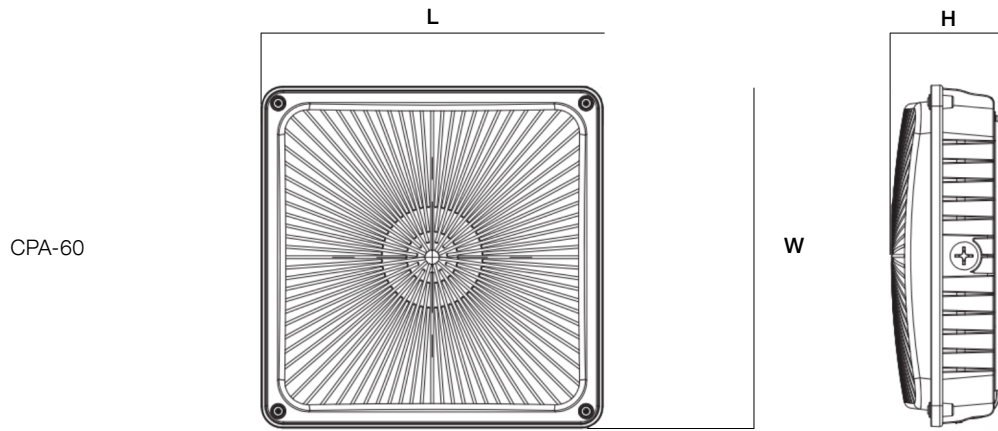
*see page 6 for sensor spec

**see page 7 for emb spec

CPA SERIES SELECTABLE GARAGE LIGHT

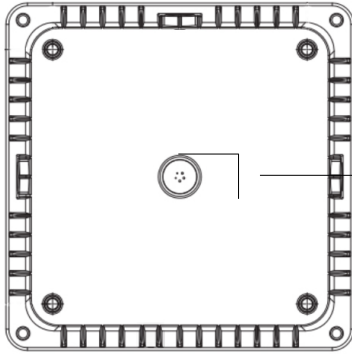
DIMENSIONS

Power	L	W	H
CPA-60	9.57" (243mm)	9.57" (243mm)	3.07" (78mm)
CPA-110	11.52" (293mm)	11.52" (293mm)	3.80" (97mm)

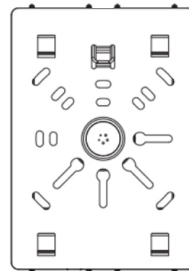
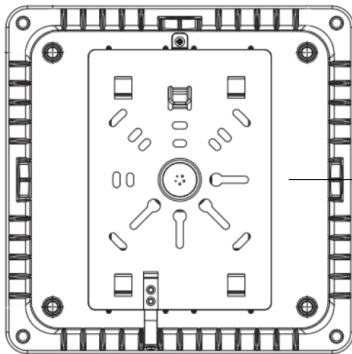


CPA SERIES SELECTABLE GARAGE LIGHT

MOUNTING OPTIONS



3/4" conduit entry on top for pendant mount



Surface Mount Plate
For direct mounting with electrical box

CPA SERIES SELECTABLE GARAGE LIGHT

PERFORMANCE DATA

MODEL	VOLTAGE	WATTAGE	3000K		4000K		5000K		QTY ON PALLET
			LUMENS	LPW	LUMENS	LPW	LUMENS	LPW	
CPA-60	120-277V	24W	3700	154	4000	167	3800	158	180
	120-277V	36W	5200	144	5600	156	5300	147	180
	120-277V	47W	6500	138	7000	149	6600	140	180
	120-277V	60W	7800	130	8400	140	8000	133	180
CPA-110	120-277V	41W	6800	166	7200	176	7000	171	144
	120-277V	63W	9800	156	10500	167	10000	159	144
	120-277V	85W	12800	151	13600	160	13000	153	144
	120-277V	110W	15500	141	16500	150	16000	145	144

DLC CODE

Part Number	DLC Product ID	DLC Class
CPA-60SC-XX-UD	S-CYFP7D	Premium
CPA-110SC-XX-UD	S-WCQVN1	Premium

CPA SERIES SELECTABLE GARAGE LIGHT

SENSOR SPEC

Model	Type	Mounting	Coverage	Input	Function	Programmable
SENSOR-PH-PB-U	-	-	-	Universal	Dusk-to-Dawn Control	-
CONTROL-LVFA (see page 8 for detail)	Fixture Controller	-	-	12V DC	Bluetooth Mesh On/Off/Dimming Scheduling	AVI-ON Bluetooth Mobile App
SENSOR-819-O1	PIR	L1 - 20FT L2 - 40FT	30FT radius 30FT radius	Universal	On/Off	-
SENSOR-819-D1	PIR	L1 - 20FT L2 - 40FT	30FT radius 30FT radius	Universal	On/Off/Dimming	REMOTE-RC100
SENSOR-BLE-819 (see page 9 for detail)	PIR	L1 - 20FT	30FT radius	Universal	Bluetooth Mesh On/Off/Dimming Daylight Harvesting	ALS Control Bluetooth Mobile App
SENSOR-BLE-7 (see page 10 for detail)	Microwave	up to 13FT	17FT radius	12V DC	Bluetooth Mesh On/Off/Dimming Motion Daylight Sensing	ALS Control Bluetooth Mobile App
SENSOR-ANT-7	Microwave	up to 12FT	17FT radius	10V DC	On/Off/Dimming Motion Daylight Sensing	REMOTE-RC100



SENSOR-PH-PB-U



CONTROL-LVFA



SENSOR-819-O
 SENSOR-819-D
 SENSOR-BLE-819

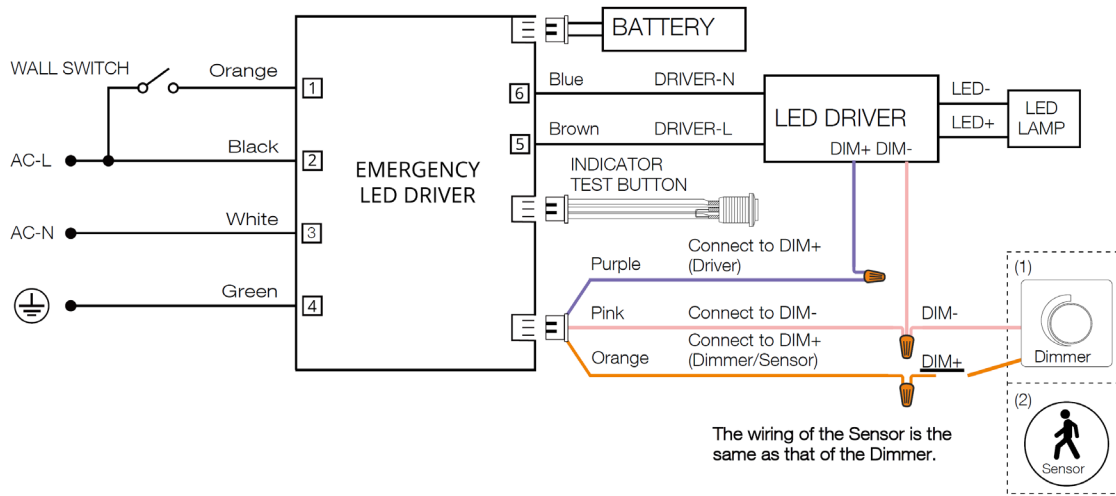


SENSOR-BLE-7
 SENSOR-ANT-7

CPA SERIES SELECTABLE GARAGE LIGHT

EMB SPEC

Model	Battery Capacity	Input	Output	Output Power	Operating Temp	Installation
EMB-CPBOX-8W-MST	90mins	100-347VAC	170VDC	8W	0°C ~ 50°C 32°F ~ 122°F	Field Install Factory Install



CPA SERIES SELECTABLE GARAGE LIGHT

CONTROL-LVFA SPEC

Status LEDs & Config Button

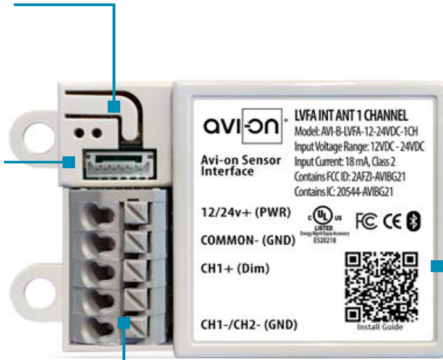
Quick and easy validation of wiring and network

Direct Connect™ Sensor Port

Simple and cost-effective addition to Avi-on sensors

Terminal Blocks & Mounting Tabs

Faster, easier and lower cost installation eliminating connectors



Internal Antenna

Improved performance and eliminates risk of accidentally cutting a hanging wire

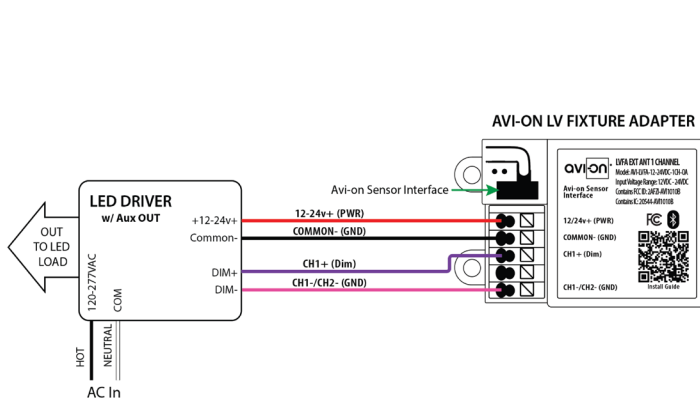
SPECIFICATIONS

INPUT VOLTAGE: 12-24VDC
CURRENT: 15mA without a Sensor
 19mA with a DC PIR Sensor
 48mA with a DC Microwave Sensor
0-10V DIMMING: 12-24VDC
SIZE: 2.30in x 1.43in x 0.75in
 (58.2mm x 36.4mm x 19mm)
MOUNTING: Removable mounting tabs
WEIGHT: 0.45 oz (16g)
OPERATING TEMP: -22°F to +158°F (-30°C to + 70°C)

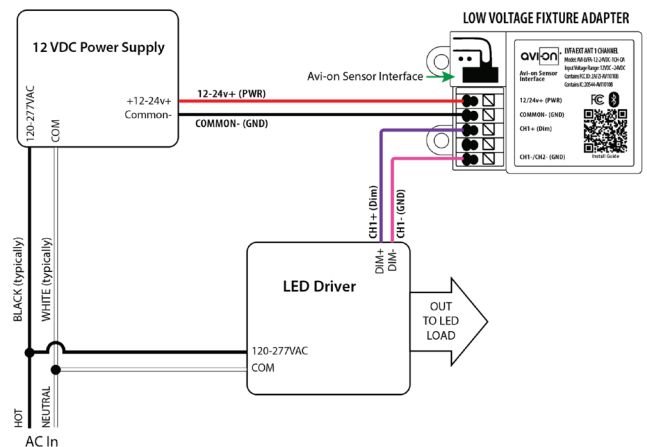
RADIO FREQUENCY: 2.4GHz
WIRELESS STANDARD: BLE 4.2 with Mesh
POINT TO POINT RANGE*: 80ft with obstructions
 350ft unobstructed
SECURITY: AES 128-bit encryption for device to device communication
 AES 256-bit encryption for device to cloud communication
WARRANTY: 5 years; 10 years optional
REGULATORY: FCC: 2AFZI-AVI1010 B
 IC: 20544-AVI1010 B
 BQB: D031801, DID: 86303
 UL 916, 2043 (Plenum Rated)

*When communicating through the mesh, range is essentially unlimited (5000ft+)

WIRING DIAGRAM



Fixture adapter powered by LED driver auxiliary output



Fixture adapter connected to LED driver and using power supply

FEATURE

- **Installation:** Factory or Field Install End Mount to Fixture
- **Commissioning:** Wirelessly through ALS Control Mobile App (iOS / Android)
- **Certification:** DLC 5.1 Networked Lighting Control System
- **Control:** Hold time, High-Low setting, continuous Bi-level dimming, Code-compliant manual-on or auto-off capability
- **Sensor:** Motion (Occupancy/Vacancy/Manual) and Daylight Harvesting
- **Room and Zone Control:** Zoning and Grouping control, Scheduling

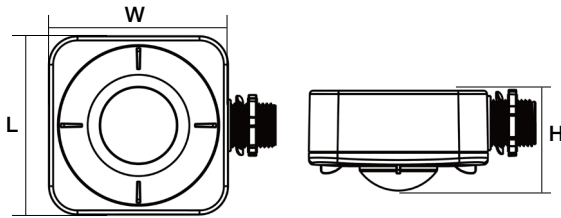


SPECIFICATIONS

SENSOR TYPE: Passive Infrared Sensor (PIR)
WIRELESS STANDARDS: Bluetooth SIG Mesh
INPUT VOLTAGE: 120/277VAC
CONTROL OUTPUT: 0-10V
OPERATING TEMP: -40°F ~ +167°F (-40°C ~ +75°C)

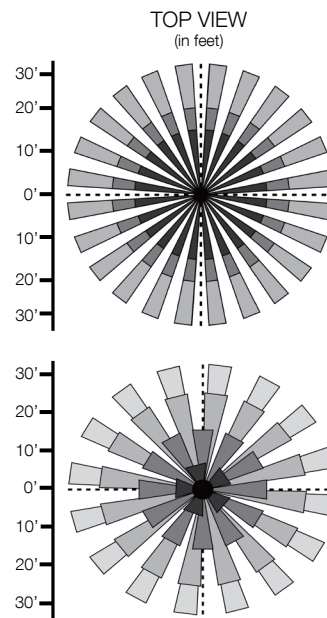
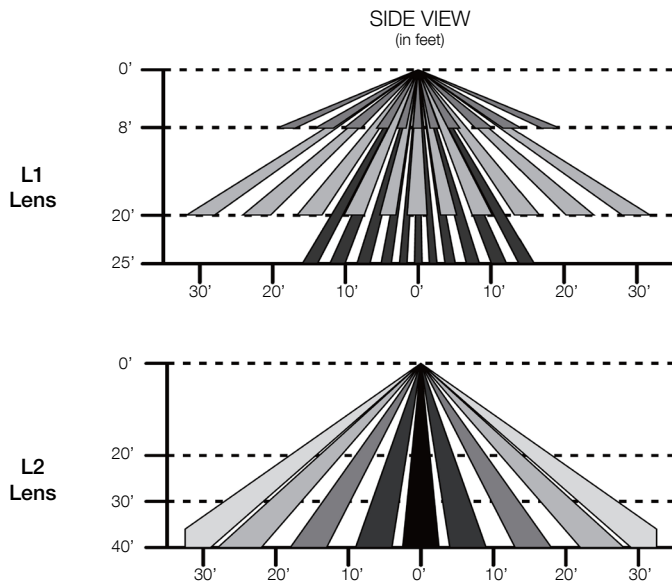
COMMISSIONING RANGE: 50FT
BLUETOOTH RANGE: Intergral antenna up to 100FT
DETECTION ANGLE: Vertical 90° x Horizontal 360°
MOUNTING HEIGHT: 8 - 40FT
WARRANTY: 5 years
IP RATING: IP20 Damp

DIMENSIONS



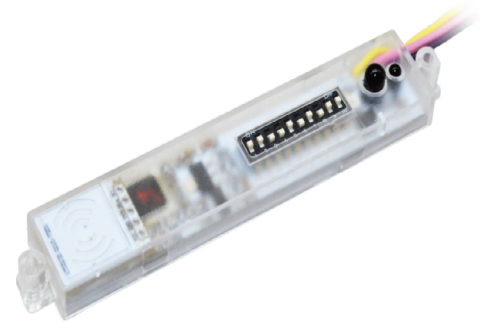
L	W	H
3.19" (81mm)	4.02" (102mm)	1.70" (43.3mm)

COVERAGE PATTERNS



FEATURE

- **Installation:** Factory Install - Integral to Fixture
- **Commissioning:** Wirelessly through ALS Control Mobile App (iOS / Android)
- **Certification:** DLC 5.1 Networked Lighting Control System
- **Control:** Hold time, High-Low setting, continuous Bi-level dimming, Code-compliant manual-on or auto-off capability
- **Sensor:** Motion (Occupancy/Vacancy/Manual)
- **Room and Zone Control:** Zoning and Grouping control, Scheduling

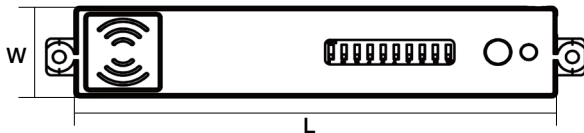


SPECIFICATIONS

SENSOR TYPE: Microwave
WIRELESS STANDARDS: Bluetooth SIG Mesh
INPUT VOLTAGE: 10-14VDC, >50mA
CONTROL OUTPUT: 0-10V
OPERATING TEMP: -40°F ~ +158°F (-40°C ~ +70°C)

COMMISSIONING RANGE: 50FT
BLUETOOTH RANGE: Integral antenna up to 164FT
DETECTION ANGLE: 360°
MOUNTING HEIGHT: Up to 13FT
WARRANTY: 5 years
IP RATING: IP20

DIMENSIONS



L	W
3.70" (94mm)	0.73" (18.5mm)

COVERAGE PATTERNS

