



PT3A SERIES COURTYARD POST TOP

Client:
Project:
Type:
Quantity:

CONSTRUCTION

Low copper aluminum alloy die-cast body. Architectural appearance, low EPA wind load design. All external fasteners are stainless steel.
EPA: 0.52 ft²

OPTICS

Molded silicone gasket throughout insures the sealing between the two compartments and provides ingress protection.
Polycarbonate lens offers exceptional light distribution and durability without yellowing over time.
CCT Selectable light engine available in 3000K ~ 5000K (80 CRI).



ELECTRICAL

80+ CRI LED.
-40°C up to 45°C* (-40°F up to 113°F) maximum operating temperature.
L70 @ 105C > 60,000hrs | L70 @ 25C >250,000hrs.
50/60Hz, <20% THD, 0.9 power factor.
Driver operates at 120-277V input, 1-10V dimmable driver, down to 10%.

SENSORS (OPTIONAL)

SENSOR-BLE-6-4T Integral PIR ALS Control bluetooth/on/off/dimming/photosensing.
SENSOR-ANT-6-4T Plug-N-Play PIR on/off/dimming/photosensing.
SENSOR-PH-PT-U/UD Twist lock dimming/non-dimming photocontrol.
SENSOR-PH-PB-U Integral button style photocell.

MOUNTING

Suitable for 3" tenon top installation.
Optional for 4" and 5" tenon adapter.

SHIPPING DATA

Product	Measurement	Weight
PT3A-60	25"L x 19"W x 7"H	17 lb
PT3A-100	25"L x 19"W x 7"H	18 lb
PT3A-150	25"L x 19"W x 7"H	18 lb

STANDARD FINISH

Corrosion resistant Dark Bronze powder coating finish.

CERTIFICATION

IP66 Wet location label standard.
Meets Buy America Act requirements.
All luminaires are built to UL1598 standards and bear appropriate cULus labels.
DLC® Premium (DesignLights Consortium Qualified).

WARRANTY

5 year warranty, see Limited Warranty for additional information.



PT3A SERIES COURTYARD POST TOP

ORDER INFORMATION **EXAMPLE: PT3A 60 SC T5 SF3 DB UNVD**

Fixture	Series	Power & LM	CCT	Distribution	Mounting	Finish	Input
	PT3A		SC	T5	SF3	DB	UNVD

Accessories
Options

A SERIES

PT3A Dual Selectable Courtyard Post Top

B POWER & LM

Code	Power (W)	LM
60	Field Selectable 30 / 50 / 60	3,900 ~ 7,800
100	Field Selectable 60 / 80 / 100	7,800 ~ 13,000
150	Field Selectable 120 / 135 / 150	15,600 ~ 19,500

C CCT

SC Field Selectable 3000K ~ 5000K

D DISTRIBUTION

5M Type V Medium

E MOUNTING

SF3 3" Tenon

F FINISH

Standard
DB Dark Bronze

G INPUT

UNVD 120-277V, 1-10V Dimmable

H ACCESSORIES/OPTIONS

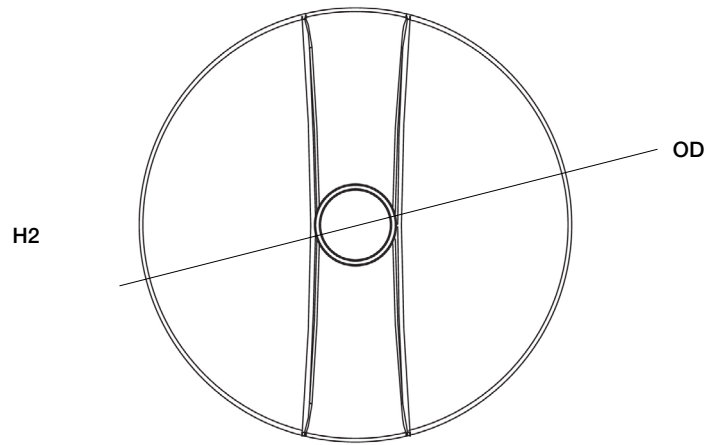
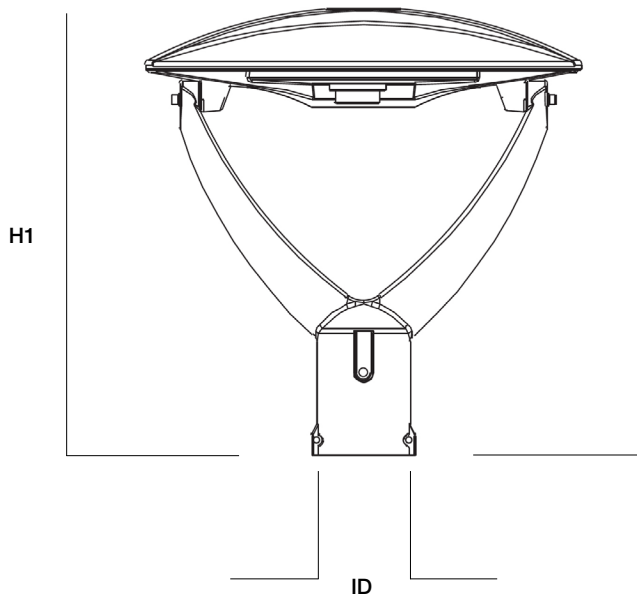
AIA	Assembled in America, compliant with BAA (COTS)
SENSOR-PH-PB-U*	Button Style Photocell
SENSOR-PH-PT-U / UD*	Twist Lock Photocell / U: 120-277V, UD: 120-277V
SENSOR-ANT-6-4T*	Integral PIR on/off/dimming/photosensing
SENSOR-BLE-6-4T*	"Plug-N-Play" Integral Bluetooth Daylight Harvesting Sensor (ALS Control Mobile App)
MOUNT-4SQR-SP-D	4" Tenon Adapter for Round Pole
MOUNT-5SQR-SP-D	5" Tenon Adapter for Round Pole
MOUNT-4SQ-SP-D	4" Tenon Adapter for Square Pole
MOUNT-5SQ-SP-D	5" Tenon Adapter for Square Pole
SURGE-LSP4-U	10kV inline Surge Protection for Universal input / U: 120-277V
REMOTE-RC100	Handheld Remote Commissioning Tool for SENSOR-ANT

*see page 4 for sensor spec

PT3A SERIES COURTYARD POST TOP

DIMENSIONS

Model	H1	H2	ID	OD
PT3A-60 / 100 / 150	17.03" (433mm)	13.55" (344mm)	3.07" (78mm)	ø 16.58" (421mm)



PT3A SERIES COURTYARD POST TOP

PERFORMANCE DATA

SYSTEM WATTS	VOLTAGE	DIST. TYPE	3000K / 4000K / 5000K	
			LUMENS	LPW
30W	120-277V	V	3,900	130
50W	120-277V	V	6,500	130
60W	120-277V	V	7,800	130
80W	120-277V	V	10,400	130
100W	120-277V	V	13,000	130
120W	120-277V	V	15,600	130
135W	120-277V	V	17,550	130
150W	120-277V	V	19,500	130

SENSOR SPEC

Model	Type	Mounting	Coverage	Input	Function	Programmable
SENSOR-ANT-6-4T	PIR	up to 40FT	30FT radius	12V DC	On/Off/Dimming	REMOTE-RC100
SENSOR-BLE-6-4T (see page 5 for detail)	PIR	up to 40FT	30FT radius	12V DC	Bluetooth Mesh On/Off/Dimming Daylight Harvesting	ALS Control Bluetooth Mobile App
SENSOR-PH-PB-U	-	-	-	Universal	Dusk-to-Dawn Control	-
SENSOR-PH-PT-U SENSOR-PH-PT-UD	-	-	-	Universal	Dusk-to-Dawn Control	-



SENSOR-ANT-6-4T SENSOR-PH-PB-U SENSOR-PH-PT-U/UD
 SENSOR-BLE-6-4T

FEATURE

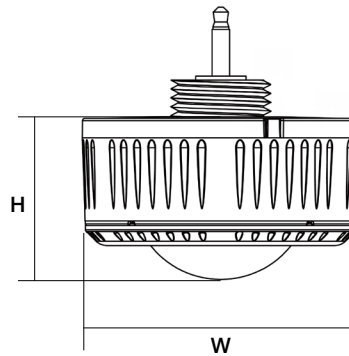
- **Installation:** Plug-N-Play via AUX socket on attached fixture
- **Commissioning:** Wirelessly through ALS Control Mobile App (iOS / Android)
- **Certification:** DLC 5.1 Networked Lighting Control System
- **Control:** Hold time, High-Low setting, continuous Bi-level dimming, Code-compliant manual-on or auto-off capability
- **Sensor:** Motion (Occupancy/Vacancy/Manual) and Daylight Harvesting
- **Room and Zone Control:** Zoning and Grouping control, Scheduling



SPECIFICATIONS

SENSOR TYPE:	Passive Infrared Sensor (PIR)
WIRELESS STANDARDS:	5.0 Bluetooth Mesh
INPUT VOLTAGE:	12-24VDC, >50mA
CONTROL OUTPUT:	0-10V
OPERATING TEMP:	-4°F ~ +140°F (-20°C ~ +60°C)
COMMISSIONING RANGE:	50FT
BLUETOOTH RANGE:	164FT
DETECTION ANGLE:	360°
MOUNTING HEIGHT:	Up to 40FT
WARRANTY:	5 years
IP RATING:	IP65

DIMENSIONS



H	W
1.03" (26.2mm)	2.17" (55mm)

COVERAGE PATTERNS

